

Manufacturer: Sanko Tekstil İşletmeleri Sanayi ve Ticaret A.Ş.  
Type: Wheeled Loader

## Technical Report

### 15-TAHP-EK-0086/SRH

#### According to ISO 3449 Earth-Moving Machinery Falling-Object Protective Structures

#### 1 General

- 1.1 Make: Sanko
- 1.2 Type: MST Bachhoe Loader
- 1.3 Name and adress of ROPS manufacturer: Sanko Tekstil İşletmeleri Sanayi ve Ticaret A.Ş.  
4.Organize Sanayi Bölgesi  
83414 Nolu Cad. No:124/1  
TR-Şehitkamil / Gaziantep
- 1.4 Name(s) of adress(es) of assembly plant(s): Sanko Tekstil İşletmeleri Sanayi ve Ticaret A.Ş.  
4.Organize Sanayi Bölgesi  
83414 Nolu Cad. No:124/1  
TR-Şehitkamil / Gaziantep
- 1.5 Name and address of vehicle manufacturer: Sanko Tekstil İşletmeleri Sanayi ve Ticaret A.Ş.  
4.Organize Sanayi Bölgesi  
83414 Nolu Cad. No:124/1  
TR-Şehitkamil / Gaziantep

Manufacturer: Sanko Tekstil İşletmeleri Sanayi ve Ticaret A.Ş.  
Type: Wheeled Loader

## Test Report

### 1. Trademark or name of protective structure

MST Backhoe Loader

### 2. Name and address of manufacturer of protective structure

Sanko Tekstil İşletmeleri Sanayi ve Ticaret A.Ş.  
4.Organize Sanayi Bölgesi  
83414 Nolu Cad. No:124/1  
TR-Şehitkamil / Gaziantep

### 3. Name and address of machine manufacturer

Sanko Tekstil İşletmeleri Sanayi ve Ticaret A.Ş.  
4.Organize Sanayi Bölgesi  
83414 Nolu Cad. No:124/1  
TR-Şehitkamil / Gaziantep

### 4. Specifications of machine on which the tests are carried out

#### 4.1. Trademark

MST

#### 4.2. Type and commercial description

MST Backhoe Loader

#### 4.3. Serial number of ROPS

Not applicable

#### 4.4. Mass of machine fitted with ROPS

9.240 kg

#### 5.1. General arrangement drawing of both protective structure and its attachment to the machine

Refer to drawings.

#### 5.2. Photographs from side and rear showing mounting details

Refer to enclosure.

#### 5.3. Brief description of protective structure including type of construction, details of mounting on the tractor, details of cladding, means of access and escape, details of interior padding, features to prevent continuous rolling and details of heating and ventilation

Roof plate thickness is 4 mm, Bottom plate thickness is 3 mm, A pillar profile is 4,5 mm, B pillar profile is 4,5 mm, C pillar profile is 4,5 mm

Manufacturer: Sanko Tekstil İşletmeleri Sanayi ve Ticaret A.Ş.  
Type: Wheeled Loader

The test was performed with ROPS and machine frame members soaked to 20 °C.  
Verification of specification of the charpy V-notch impact strength requirements for ROPS structural metallic members:

| Sample                          | Energy met at -20° C (J) | Energy met at -30° C (J) |
|---------------------------------|--------------------------|--------------------------|
| 6 mm S235JR quality sheet metal | 154                      | 160                      |
| 4 mm shaped profile             | 68                       | 76                       |

#### 5.4. Dimensions

Refer to drawings.

#### 5.5. Details and quality of materials used, standard used

Refer to drawings

### 6. Identification of The Test Object

#### 6.1 Performance level tested

Level II

#### 6.2. Mass

297 kg

#### 6.3. Falling Height

4,02 m

#### 6.4. Dimensions of the test object



#### 6.5. Picture of crashing point

See drawings

### 7. Test Results

#### 7.1 Impact Test

Energy imparted to the test object without causing penetration of any part of the FOPS structure into the DLV nor penetration of the FOPS by the test object:

**11712 J**

Minimum performance requirements of TS EN ISO 3449 were met in this test.

Manufacturer: Sanko Tekstil İşletmeleri Sanayi ve Ticaret A.Ş.  
Type: Wheeled Loader

## 8. Equipment for measuring and testing

Parameter of the test area 22 °C and %50 Humidity

## 9. Calibration Equipments

| Test Instrument | Type           | Manufacturer | ID - No.  |                                     |
|-----------------|----------------|--------------|-----------|-------------------------------------|
| Loadcell        | KHS125-200-AFB | MAG-BIAS     | 312011    | <input checked="" type="checkbox"/> |
| Loadcell        | 20t            | PULSE        | HT1 20319 | <input type="checkbox"/>            |
| Loadcell        | 20t            | PULSE        | HT1 20318 | <input type="checkbox"/>            |
| Loadcell        | HT1W           | PULSE        | 3028H71   | <input type="checkbox"/>            |
| Loadcell        | HT5M           | PULSE        | 2910 HT1  | <input type="checkbox"/>            |
| Accelometer     | --             | --           | 5189683   | <input type="checkbox"/>            |
| Accelometer     | --             | Dytran       | --        | <input checked="" type="checkbox"/> |
| Accelometer     | --             | Dytran       | --        | <input checked="" type="checkbox"/> |

## 10. Place and date of testing

BIAS Test Sistemleri  
İkitelli Organize Sanayi Bölgesi  
Metal İş Sanayi Sitesi 5.Blok No:57-59  
34306 Başakşehir / İstanbul (TURKEY) 03.09.2014

## 11. Final Confirmation

As the result of inspections of Sanko Tekstil İşletmeleri Sanayi ve Ticaret A.Ş. company's sample seat, it has been confirmed that the sample vehicle fulfilled the requirements related to the TS EN ISO 3449 as given.

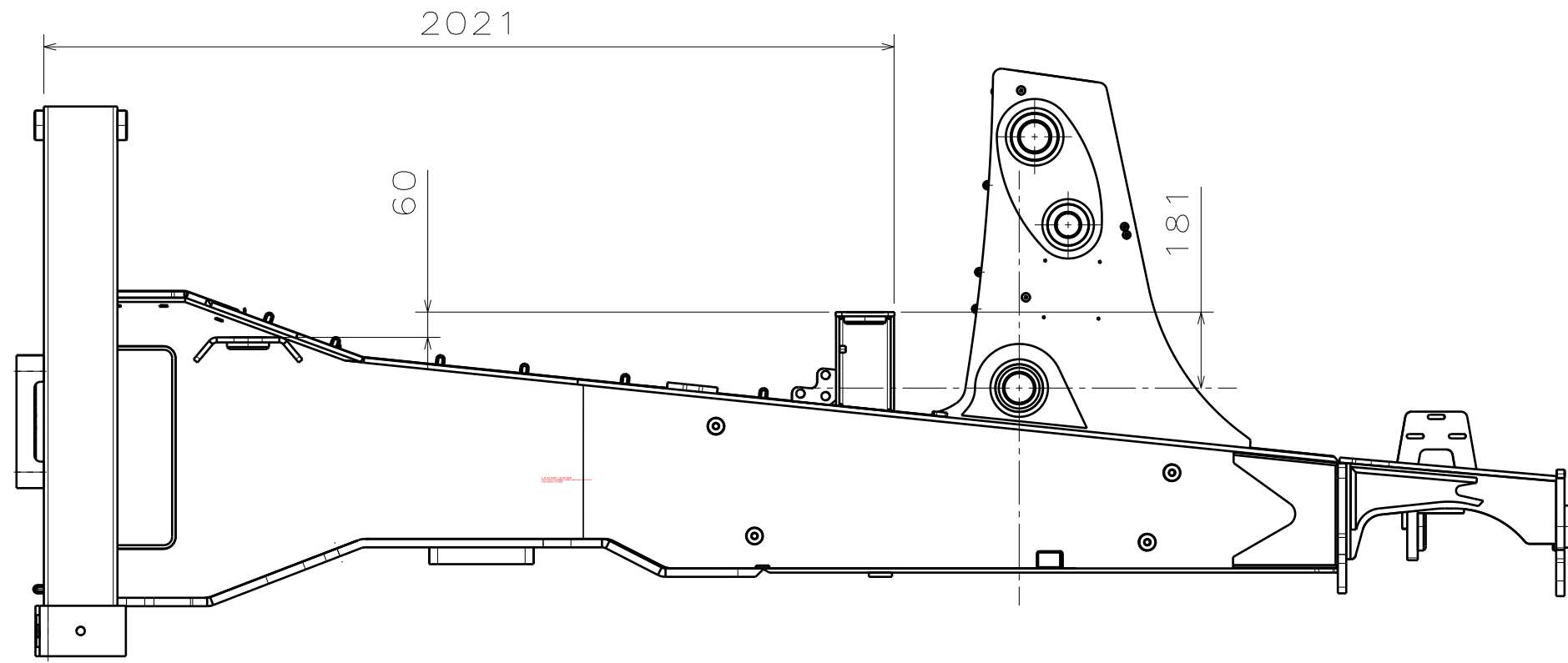
This report can not be multiplied without written approval of TÜV AUSTRIA.

This technical report consists of 4 pages.

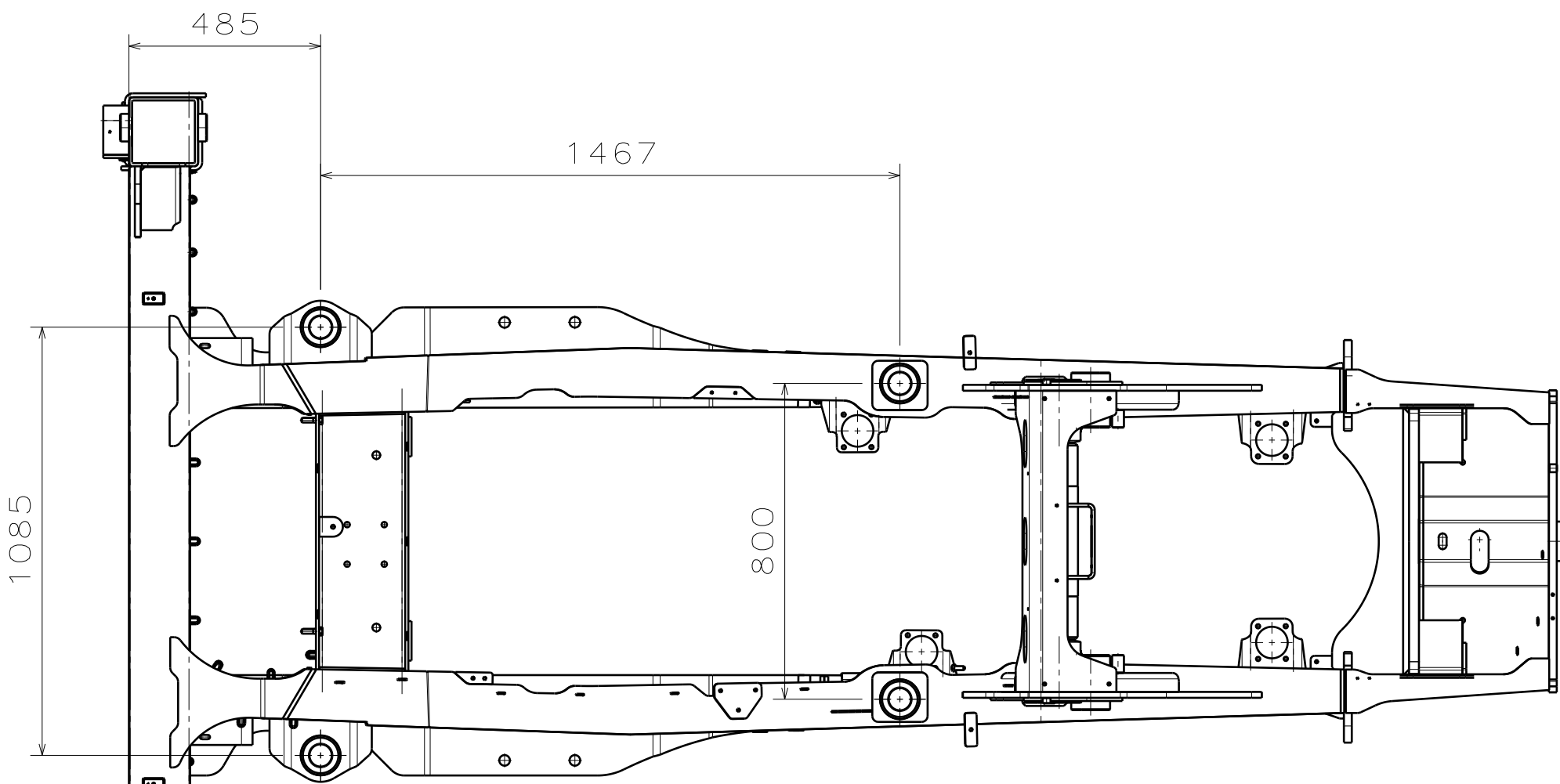
Istanbul

26.05.2015

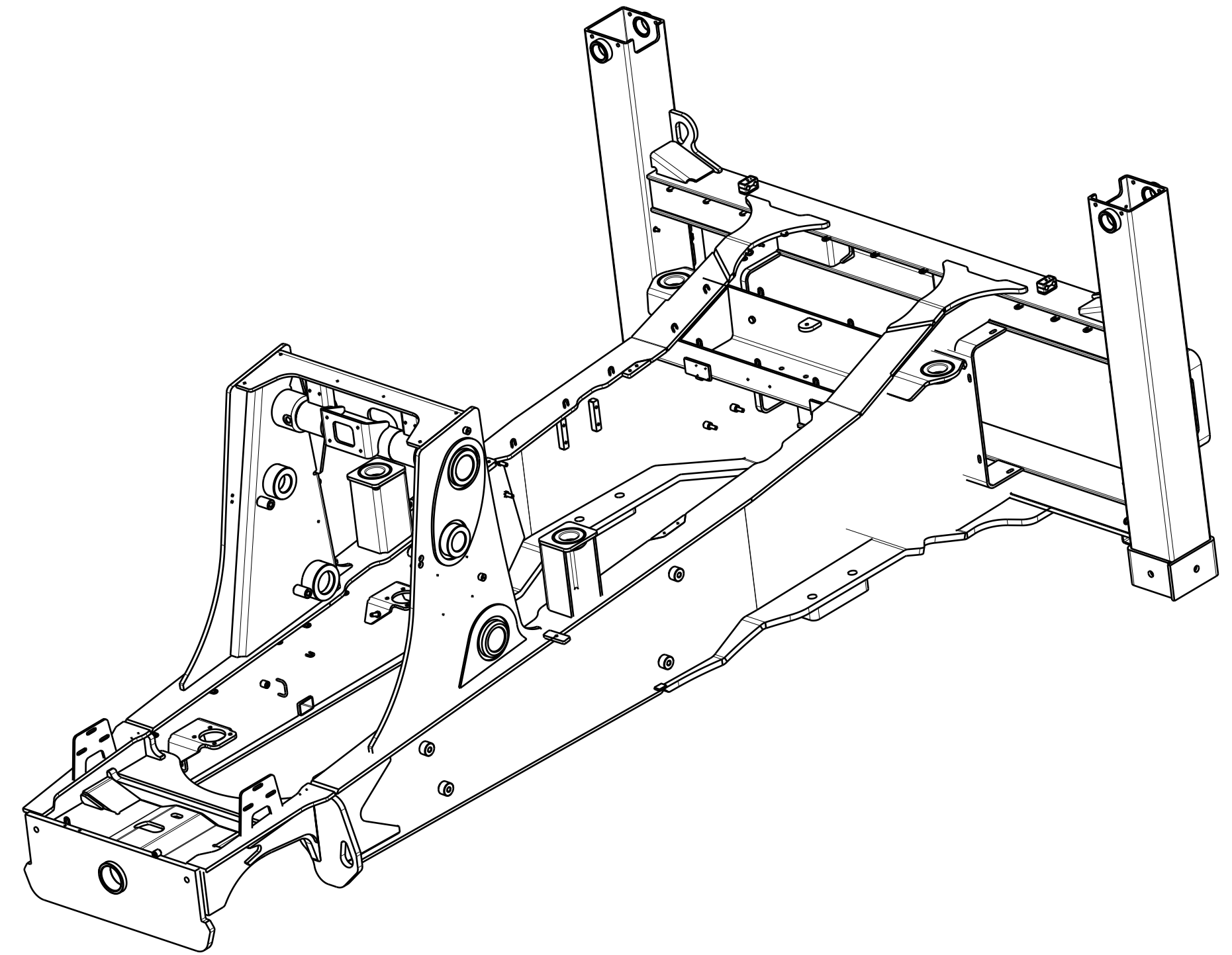
Recognized Expert  
Eren AKDAĞ



Front view  
Scale: 1:15

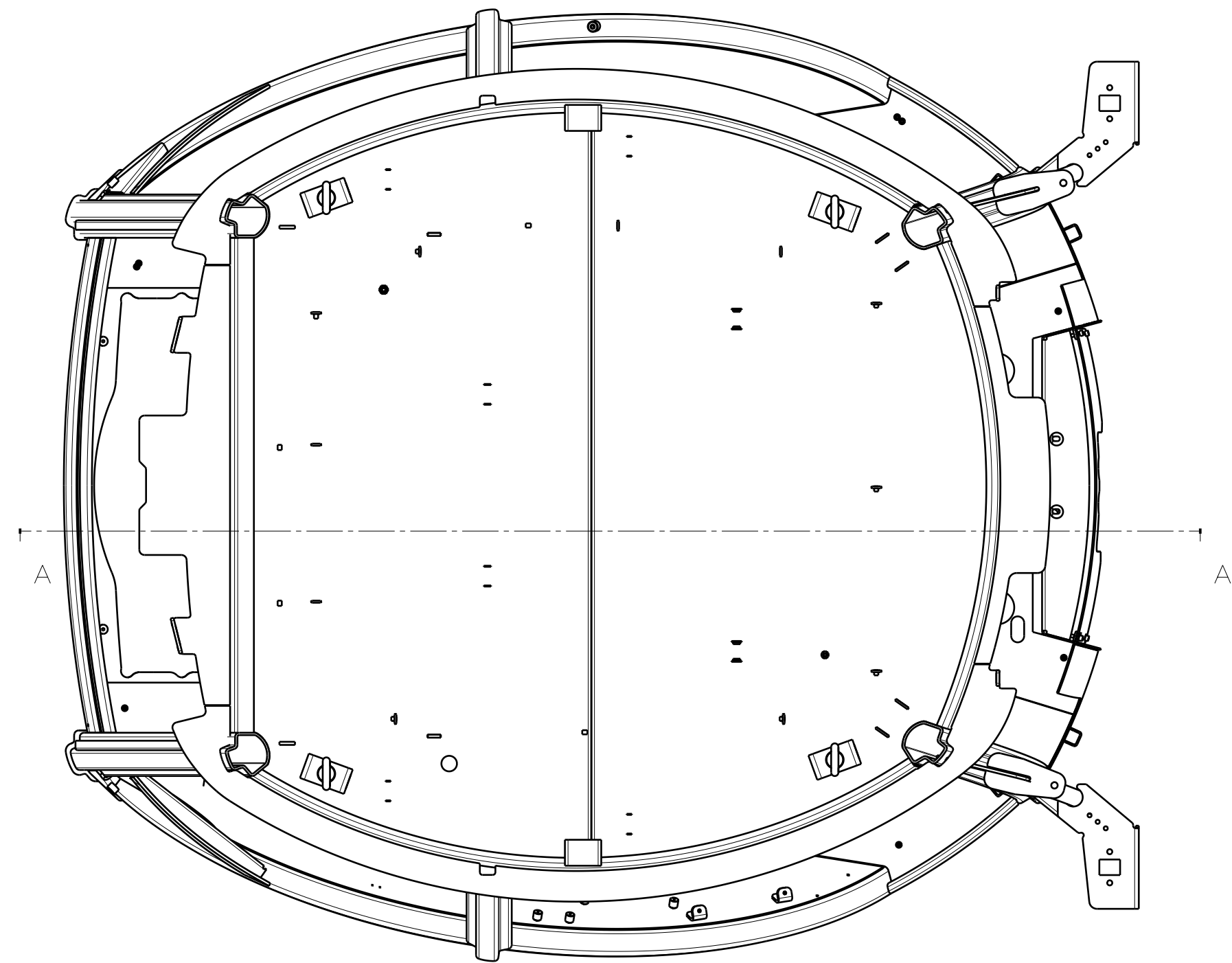


Top view  
Scale: 1:15

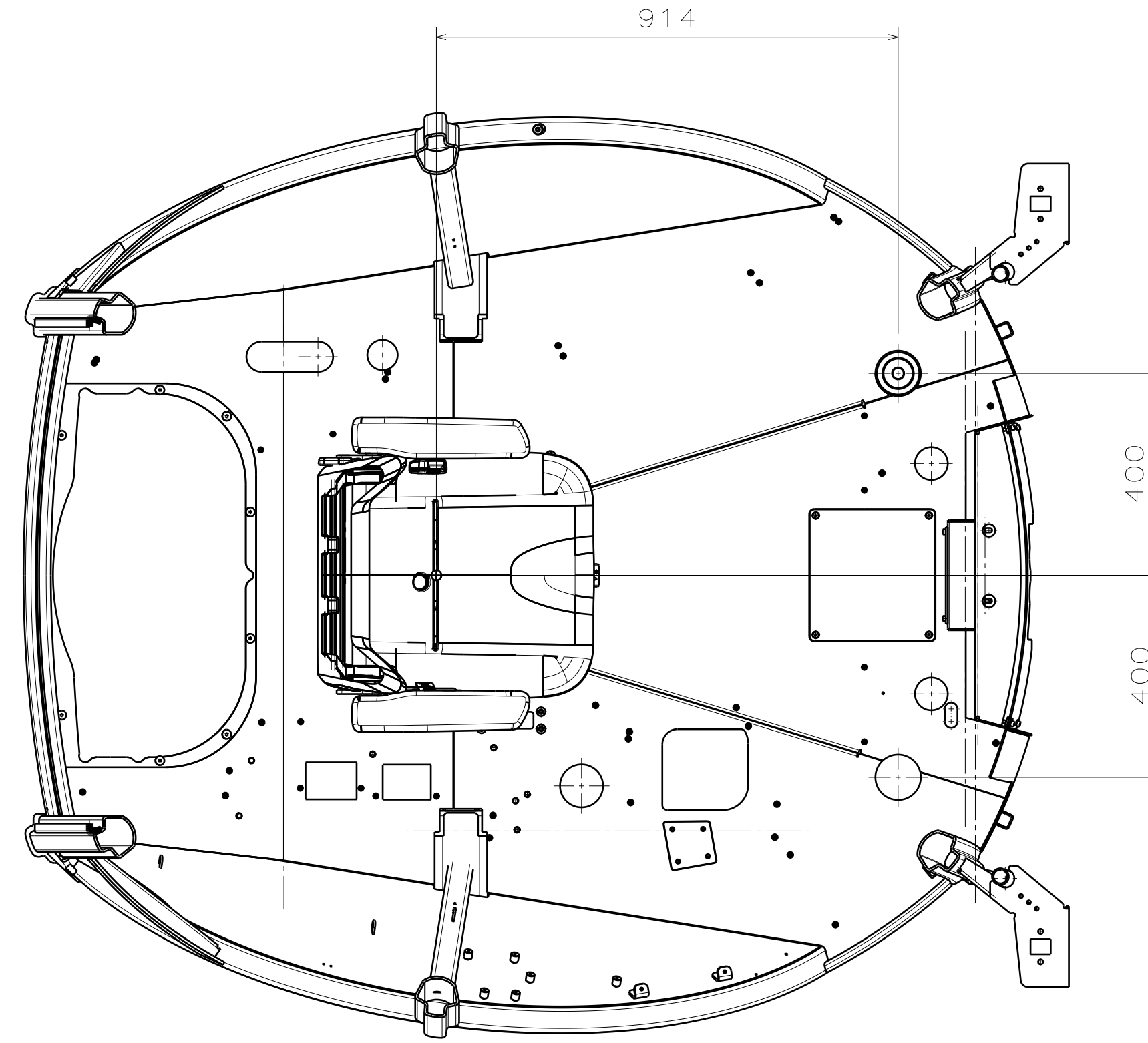


Isometric view  
Scale: 1:15

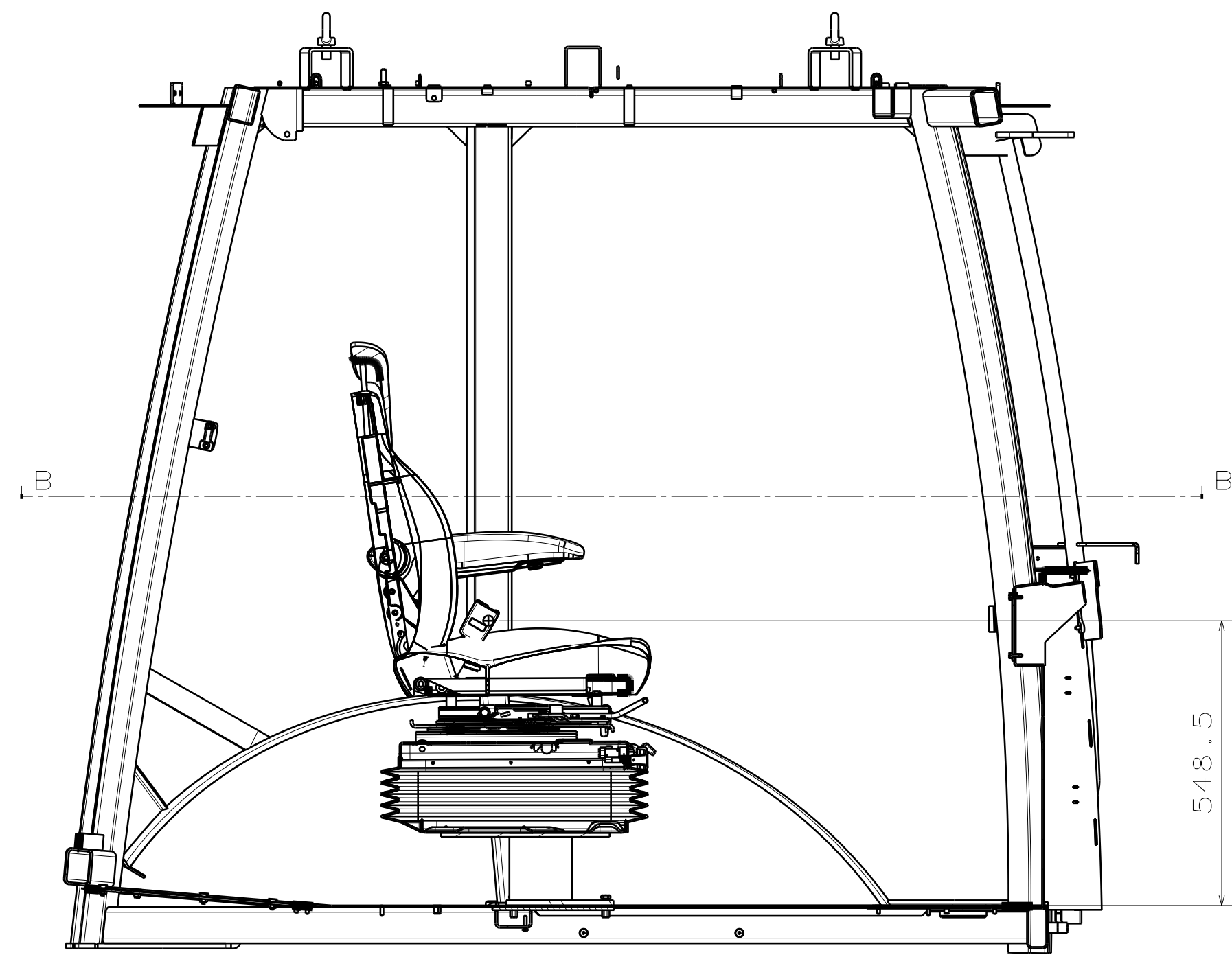
|                             |                     |                         |                                   |  |
|-----------------------------|---------------------|-------------------------|-----------------------------------|--|
| DESIGNED BY:<br>S.MEMIKBESE | DATE:<br>27.05.2015 | CHECKED BY:<br>M.SONMEZ | APPROVED BY:<br>L.KIRILANGIC      | UR-GE<br>DEPARTMAN I   |
| TOTAL EFFECTIVE CASE DEPTH  |                     | SCALE<br>1:15           | Weight (Kg)<br>1.051,14           |  |
| HARDNESS                    |                     | HOMOLOGATION            | QUANTITY                          | UOUNU ACI METODU<br>ÇOÇULER mm DIR<br>THIRD ANGLE METHOD<br>DIMENSIONS IN mm |
| CORE                        | SURF.               | MATERIAL<br>St 52-3:    | REFERENCE                         |  |
| HEAT TREATMENT              |                     | UNSPECIFIED TOLERANCES  | DRAWING NAME<br>MST 644 PLUS SASE | A2   |
| FINISH                      |                     | DIN EN 10025-94         | DRAWING NUMBER<br>174631003       | SIZE<br>A2   |



Front view  
Scale: 1:10

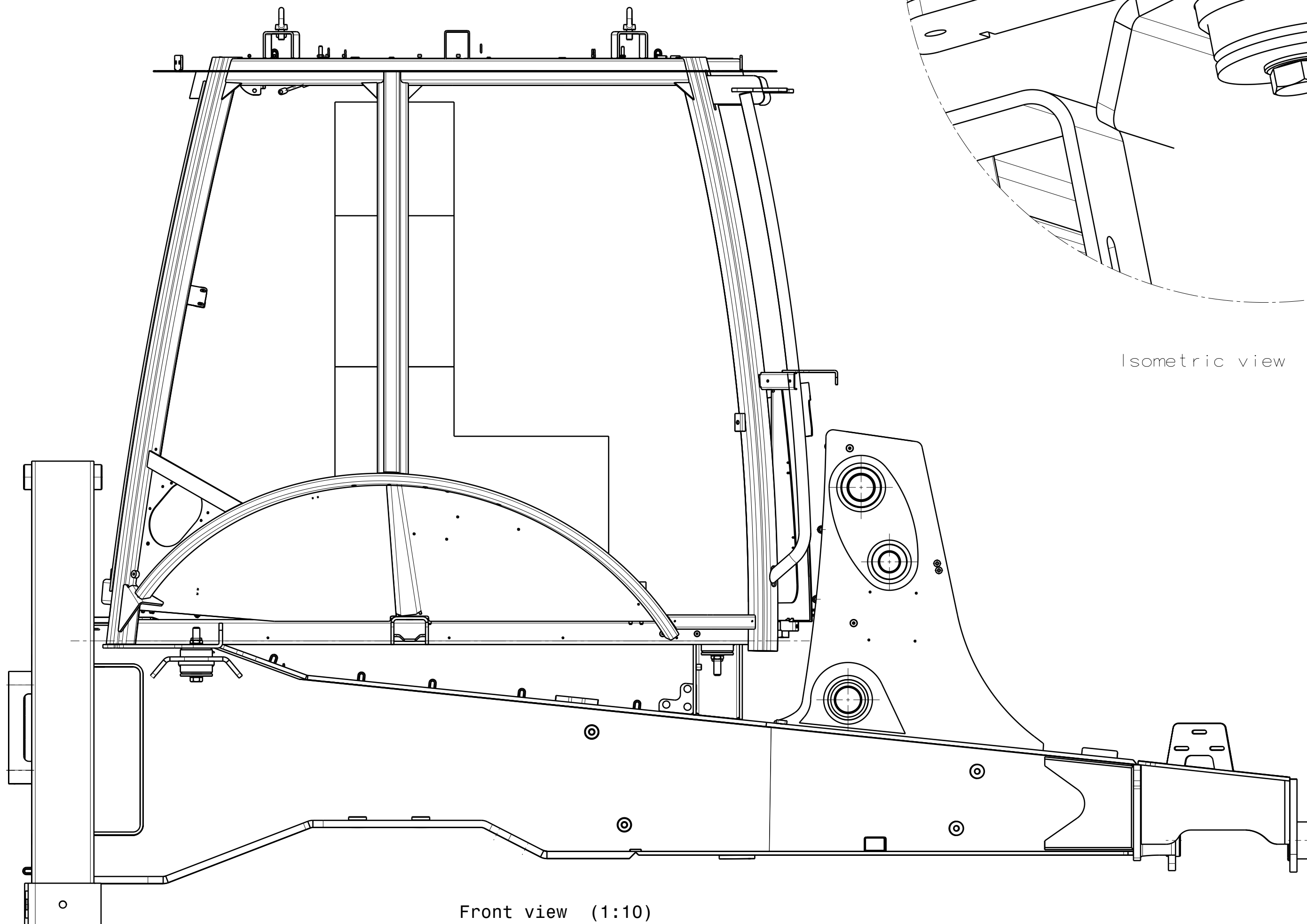


Section view B-B  
Scale: 1:10

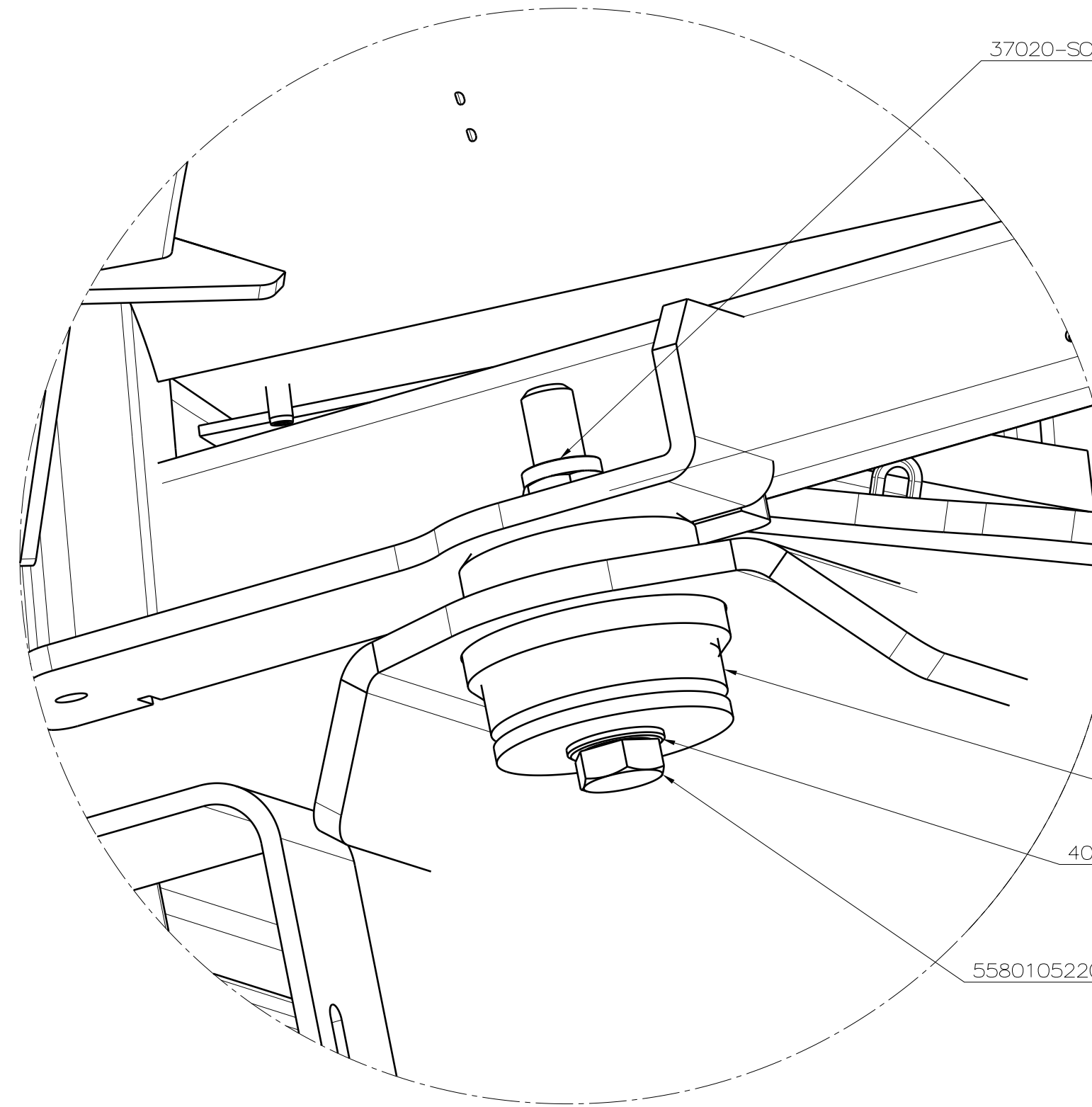


Section view A-A  
Scale: 1:10

|                                   |                     |                          |                               |   |
|-----------------------------------|---------------------|--------------------------|-------------------------------|---|
| DESIGNED BY:<br>S. KEMPERBERG     | DATE:<br>27.05.2015 | CHECKED BY:<br>M. SCHNEZ | APPROVED BY:<br>L. KREIBERGER | UR-GE<br>DEPARTMENT   |
| TOTAL EFFECTIVE CASE DEPTH        | SCALE:<br>1:10      | WEIGHT (kg):<br>1.994,01 | QUANTITY                      |   |
| HARDNESS                          | HOLOCLOCATION       | MATERIAL:<br>St 52-3     | UNSPECIFIED TOLERANCES        | UJUNCU AÇI METODU<br>ÇOKLUCER mm DİR<br>REFERENCE<br>M3<br>THIRD ANGLE METHOD<br>DIMENSIONS IN mm |
| CORE                              | SURF.               | HEAT TREATMENT           | FINISH                        |   |
| DRAWING NAME:<br>MST 6 PLUS KABIN |                     |                          | SIZE:<br>A1                   | DRAWING NUMBER:<br>172770020<br>SIZE:<br>A1   |
| DIN EN 10025-94                   |                     |                          | DRAWING NUMBER:<br>172770020  |   |



Front view (1:10)



Isometric view (1:2)

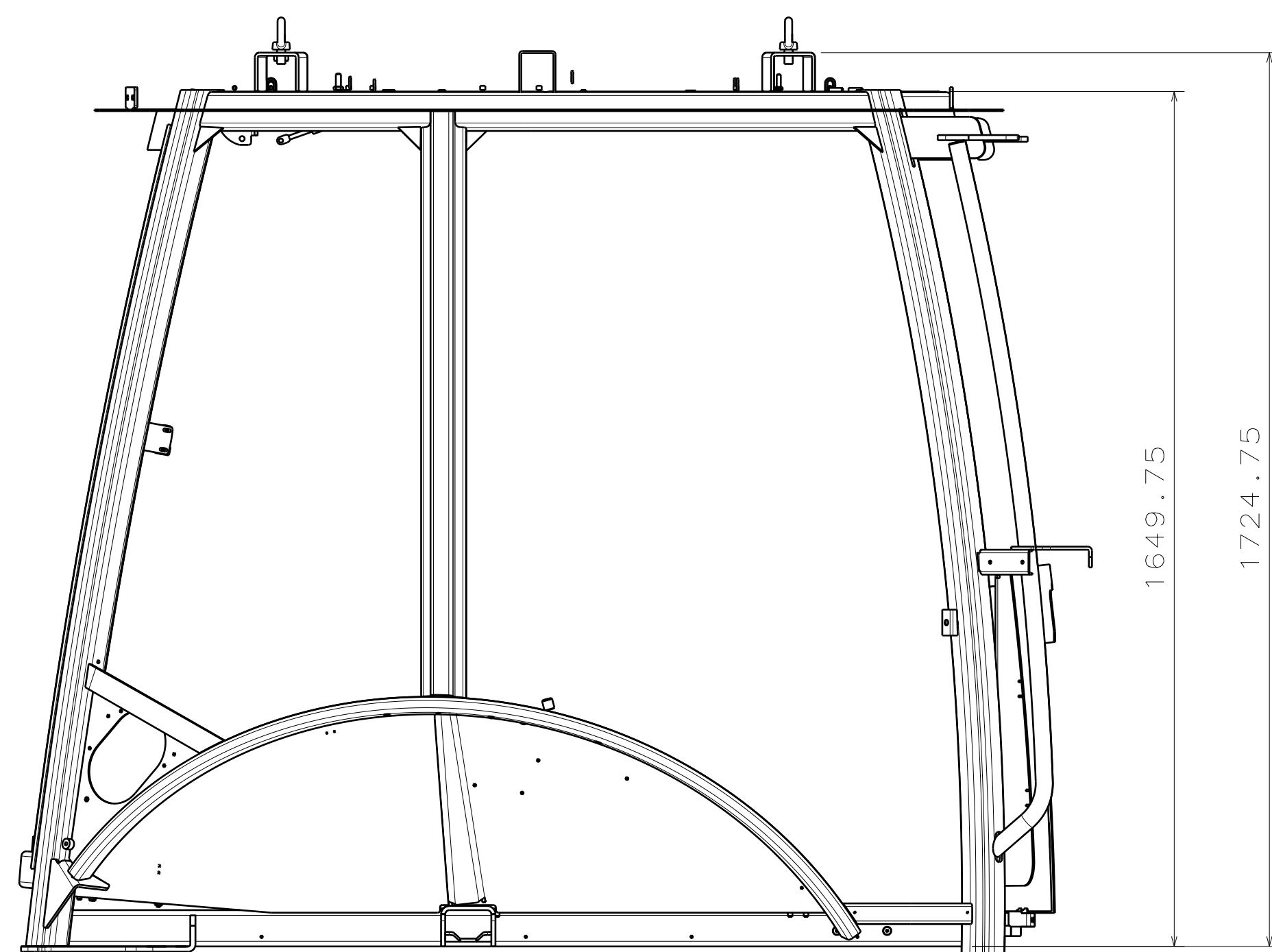
37020-SOMUN, DIN 985, 10, M20, GVZ (AKB Fiberli)

174770272-KABIN TAKOZU

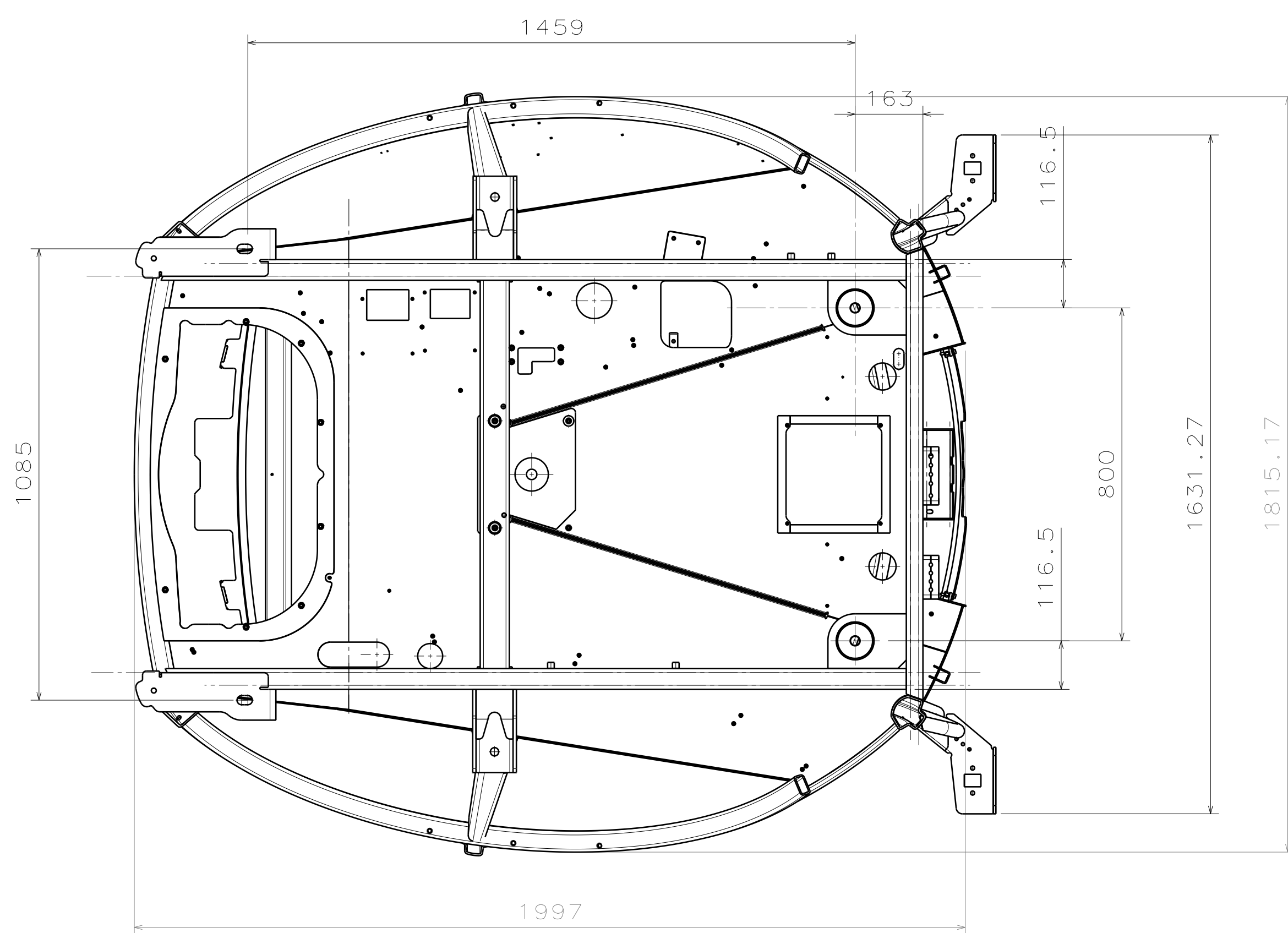
40520-RONDELA, DIN 125, M20, SIYAH

5580105220140000-CIVATA, DIN 931, 10.9, M20x140, GVZ

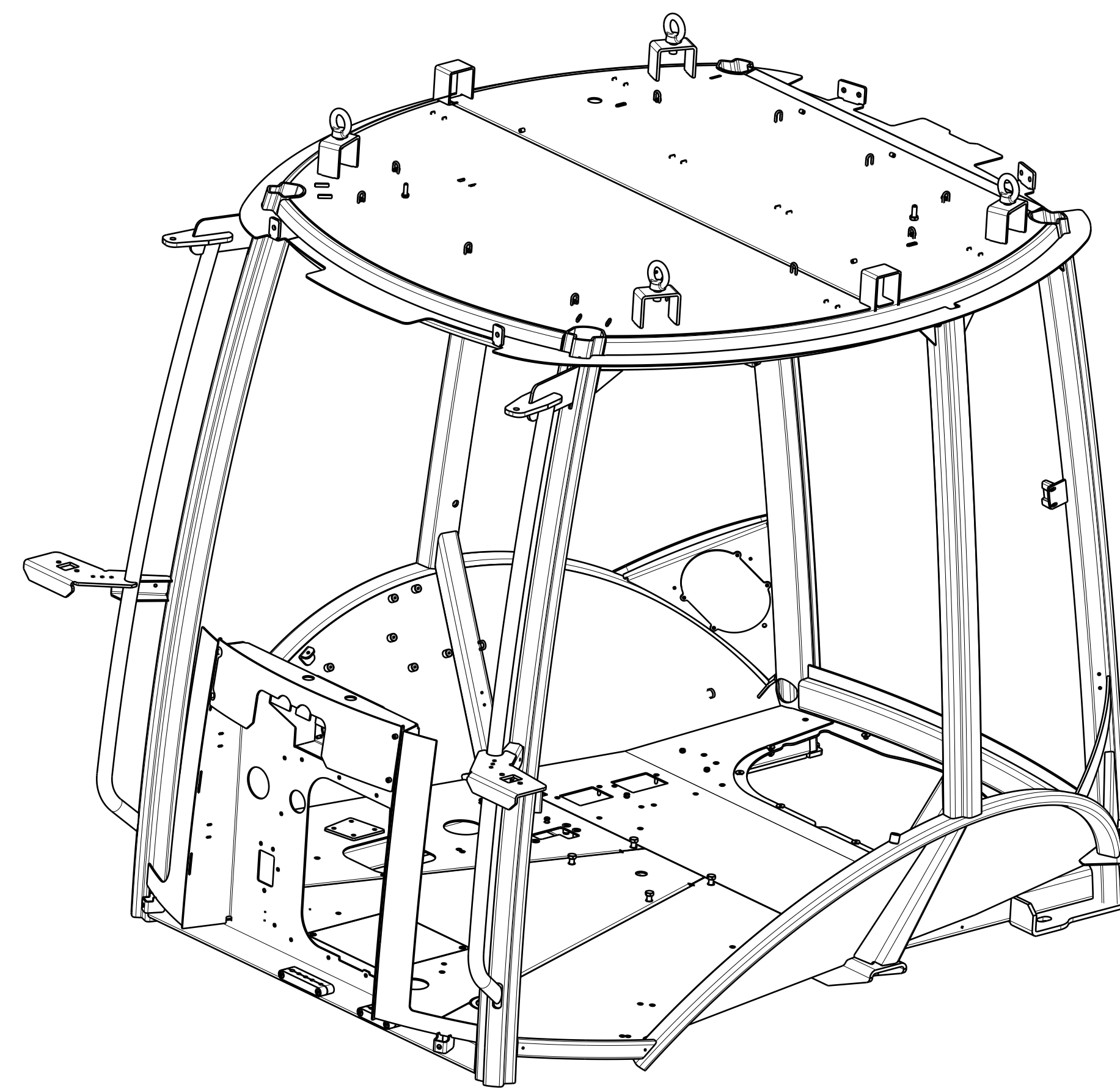




Front view  
Scale: 1:10



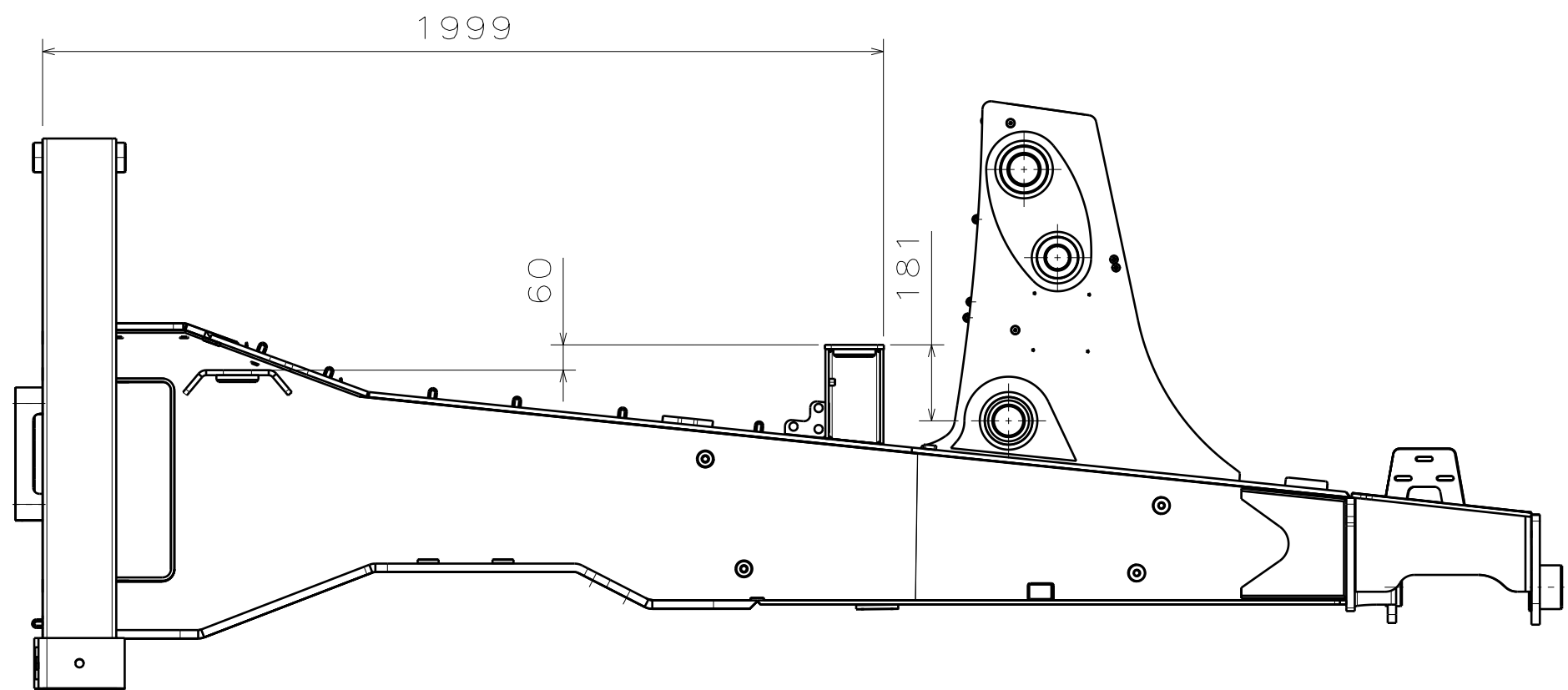
Bottom view  
Scale: 1:10



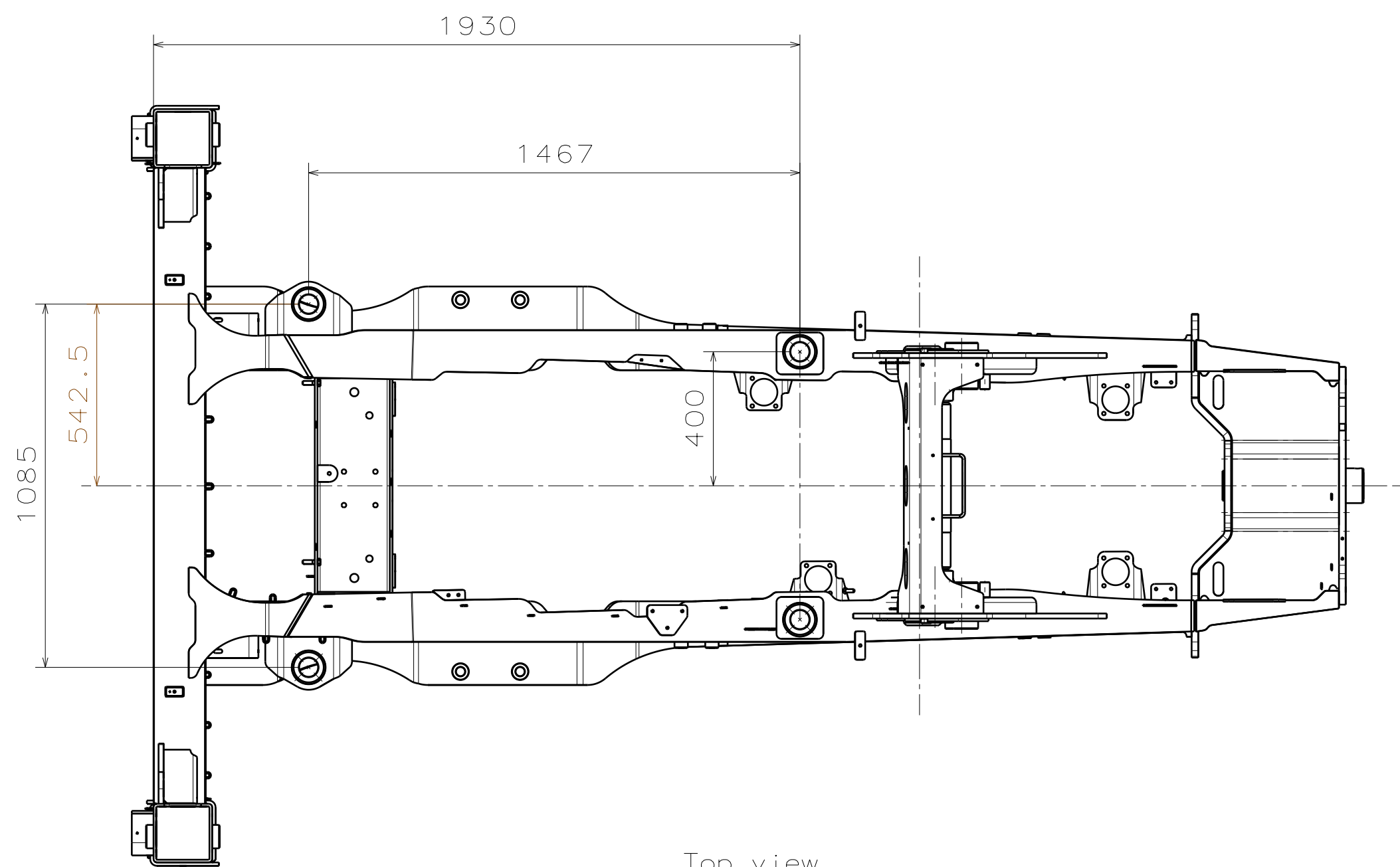
Isometric view  
Scale: 1:10

|                            |                     |                             |   |  |
|----------------------------|---------------------|-----------------------------|---|--|
| DESIGNED BY:<br>SANKO/BESE | DATE:<br>27.05.2015 | CHECKED BY:<br>M.SOMERZ     | APPROVED BY:<br>L.KITIRANCIK                  | UR-GE<br>DEPARTMANI                    |
| TOTAL EFFECTIVE CASE DEPTH | SCALE<br>1:10       | WEIGHT (Kg)<br>1.994,01     | QUANTITY                                      |  |
| HARDNESS                   | HOLOGRACION         | MATERIAL<br>St 52-3         | UNIONU ACI METODU<br>DOKULER mm DIR           | THIRD ANGLE METHOD<br>DIMENSIONS IN mm |
| CORE SURF.                 | HEAT TREATMENT      | UNSPECIFIED TOLERANCES      | REFERENCE<br>DRAWING NAME<br>MST 6 PLUS KABIN |  |
| FINISH                     | DIN EN 10025-94     | DRAWING NUMBER<br>172770020 | SIZE<br>A1                                    | 1                                      |

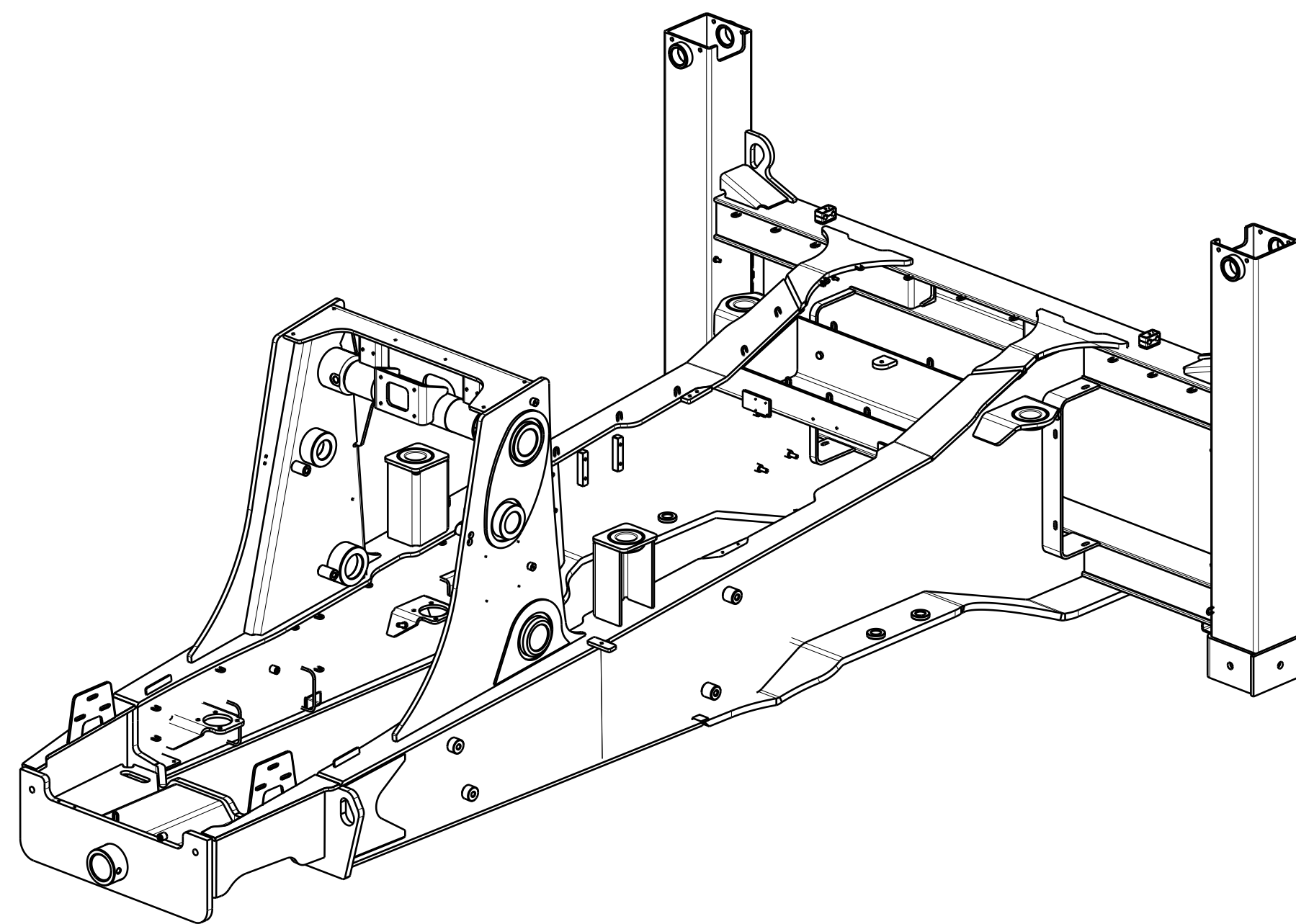




Front view  
Scale: 1:15



Top view  
Scale: 1:15

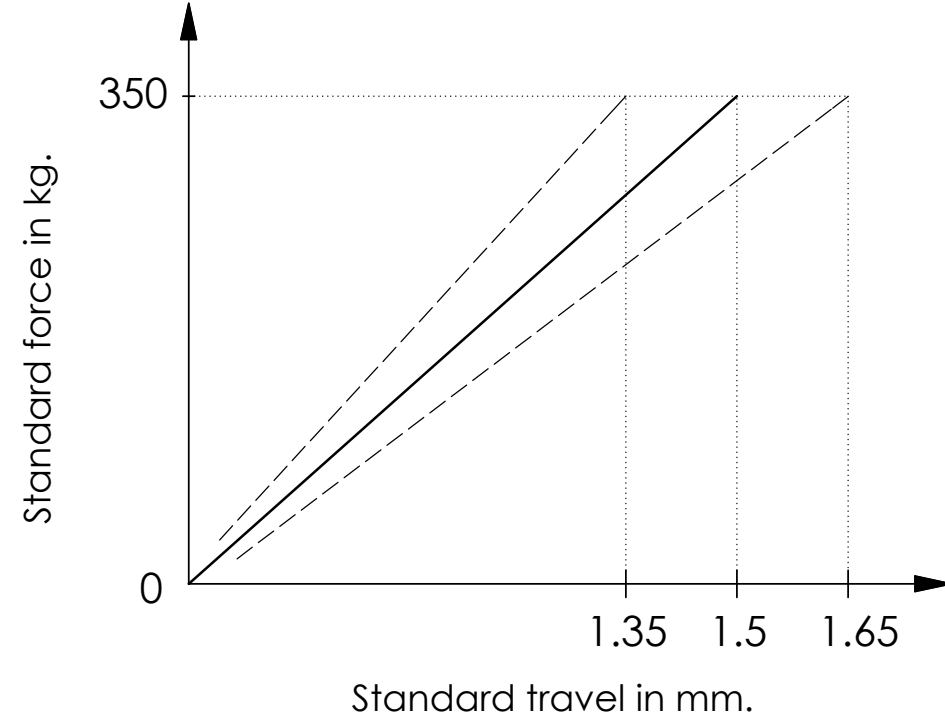


Isometric view  
Scale: 1:15

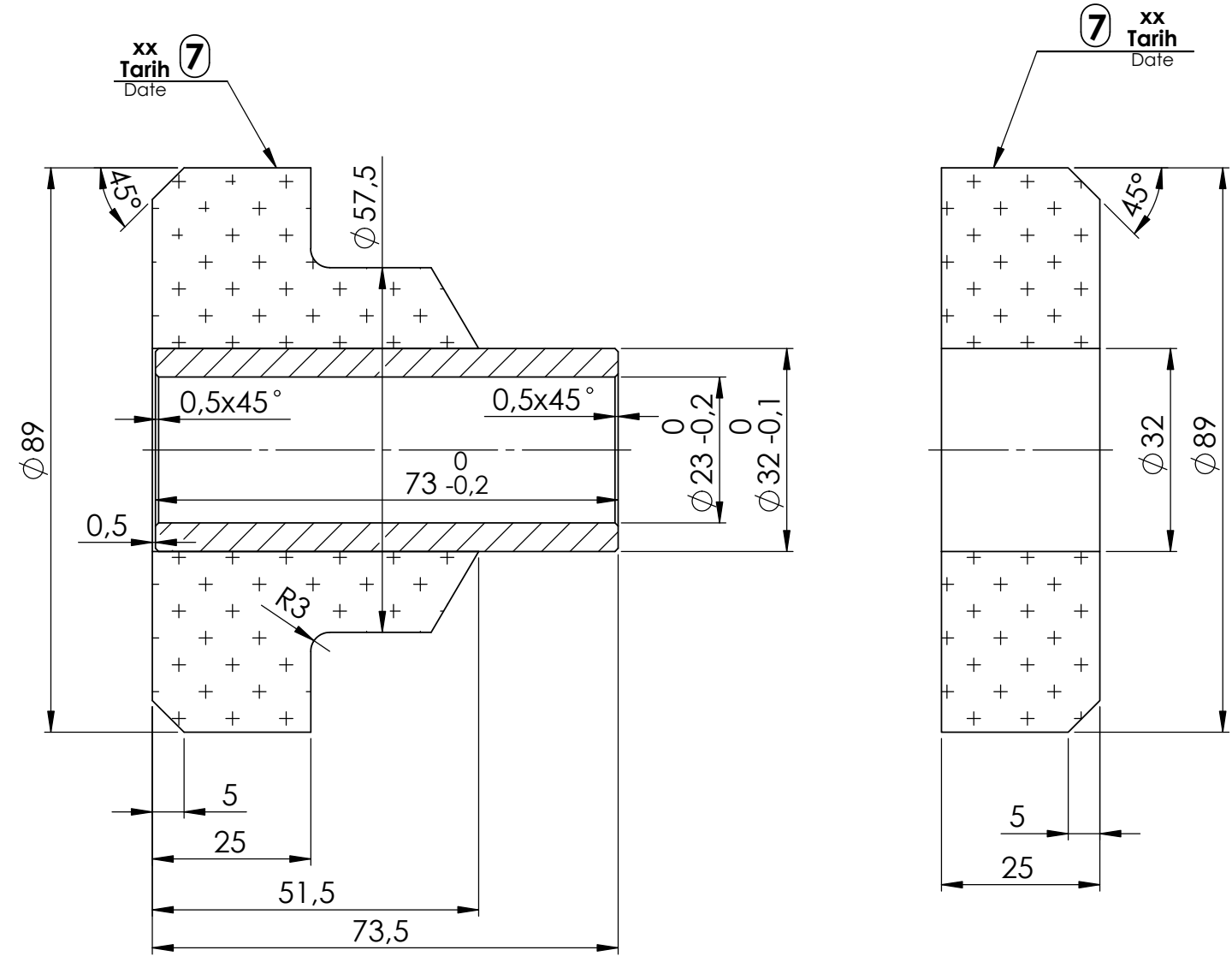
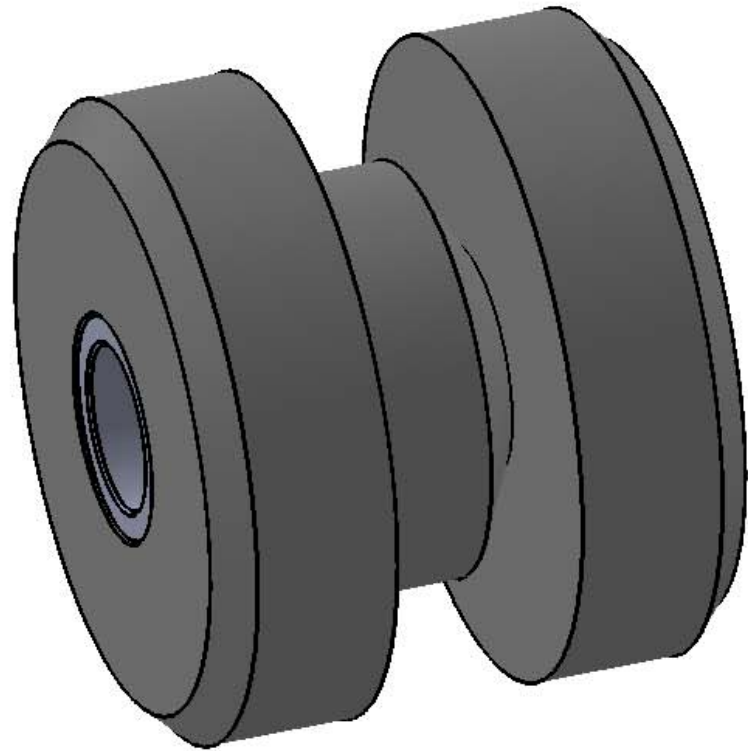
|                              |                     |                          |                               |                      |
|------------------------------|---------------------|--------------------------|-------------------------------|----------------------|
| DESIGNED BY:<br>S. MEMIKBESE | DATE:<br>27.05.2015 | CHECKED BY:<br>M. SONMEZ | APPROVED BY:<br>L. KIRILANGIC | UR-GE<br>DEPARTMAN I |
| TOTAL EFFECTIVE CASE DEPTH   |                     | SCALE:<br>1:15           | Weight (Kg):<br>1.132,79      |                      |
| HARDNESS                     | HOMOLOGATION        | QUANTITY                 |                               | LOUNOU ACI METODU    |
| CORE                         | SURF.               | MATERIAL                 |                               | THIRD ANGLE METHOD   |
| HEAT TREATMENT               |                     | WELDING ASSY             |                               | DIMENSIONS IN mm     |
| FINISH                       |                     | UNSPECIFIED TOLERANCES   |                               | REFERENCE            |
| DIN EN 10025-94              |                     | DRAWING NAME             |                               | MST6 2 WS PLUS SASI  |
|                              |                     | DRAWING NUMBER           |                               |                      |
|                              |                     | 172631003                |                               | A2                   |
|                              |                     |                          |                               | A2                   |

| REV. NO<br>Rev. Nr. | TARİH<br>Date | HARF<br>Letter | DEĞ.TALEP NO<br>Rev.Reguest Nr. | DEĞİŞİKLİK<br>Modifications       | İSİM<br>Name | İMZA<br>Signature |
|---------------------|---------------|----------------|---------------------------------|-----------------------------------|--------------|-------------------|
| 00                  | 26.04.2013    | -----          | -----                           | YENİ YAYINLANMIŞTIR. New Released |              |                   |

## STATİK TEST GRAFİĞİ STATIC TEST CURVE

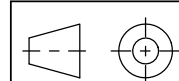


## İZOMETRİK GÖRÜNÜŞ ISOMETRIC APPEARANCE



İÇ BORU YÜZEY KORUMA : Zn (Cr+3) SARI KAPLAMA  
INNER PIPE SURFACE PROTECTION : Zn (Cr+3) YELLOW COATED  
(B): 13-60 Sertlik NR 60±3 Shore A  
13-60 Hardness NR 60±3 Shore A  
(A): EN 10305-2 E 235+C

| SIRA<br>Sequence   | PARÇANIN ADI<br>Part Name     | ADDET<br>Quantity  | MONTAJ NO<br>Assembly Nr. | MALZEME<br>Material          | RESİM NO<br>Drawing Nr.        | AĞIRLIK<br>Weight            |  |
|--|-------------------------------|--|---------------------------|------------------------------|--------------------------------|------------------------------|--|
| 3  | YAN LASTİK RUBBER             | 1  | 3                         | (B)                          | 1236/2                         |                              |  |
| 2  | LASTİK HAMURU RUBBER COMPOUND | 1  | 2                         | (B)                          | 1236/1B                        |                              |  |
| 1  | İÇ BORU INNER PIPE            | 1  | 1                         | (A)                          | 1236/1A                        |                              |  |
| SIRA PARÇANIN ADI ADDET MONTAJ NO MALZEME RESİM NO AĞIRLIK<br>Sequence Part Name Quantity Assembly Nr. Material Drawing Nr. Weight |                               | SEM NO ÇİZEN TARİH İMZA<br>Sem Nr. Drawn by Date Signature |                           | TARİH İMZA<br>Date Signature |                                | TARİH İMZA<br>Date Signature |  |
| Desing : Design  |                               | 1236   | HÜLYA KONAK               | 26.04.2013                   |                                |                              |  |
| Solidworks   |                               | REFERANS NO<br>Reference Nr.                               | KONTROL<br>Controlled by  | TARİH<br>Date                | İMZA<br>Signature              |                              |  |
|  |                               |  | SERKAN GÖMEÇ              | 26.04.2013                   |                                |                              |  |
| Format : A3  |                               | MALZEME<br>Material  | ONAY<br>Approved by       | TARİH<br>Date                | İMZA<br>Signature              |                              |  |
|  |                               |  | AYHAN TOKAY               | 26.04.2013                   |                                |                              |  |
|  |                               | RESİM NO<br>Drawing Nr.                                    | ÖLÇEK<br>Scale            | PARÇA ADI<br>Part Name       | KABİN TAKOZU<br>CABIN MOUNTING |                              |  |
|  |                               | 1236   | 1:1                       |                              |                                |                              |  |



RESİMDE VERİLMEDİĞİ TAKTİRDE  
IF NOT GIVEN IN THE DRAWING  
UYGULANACAK OLAN TOLERANS NORMU  
TOLERANCE FROM TO BE USED

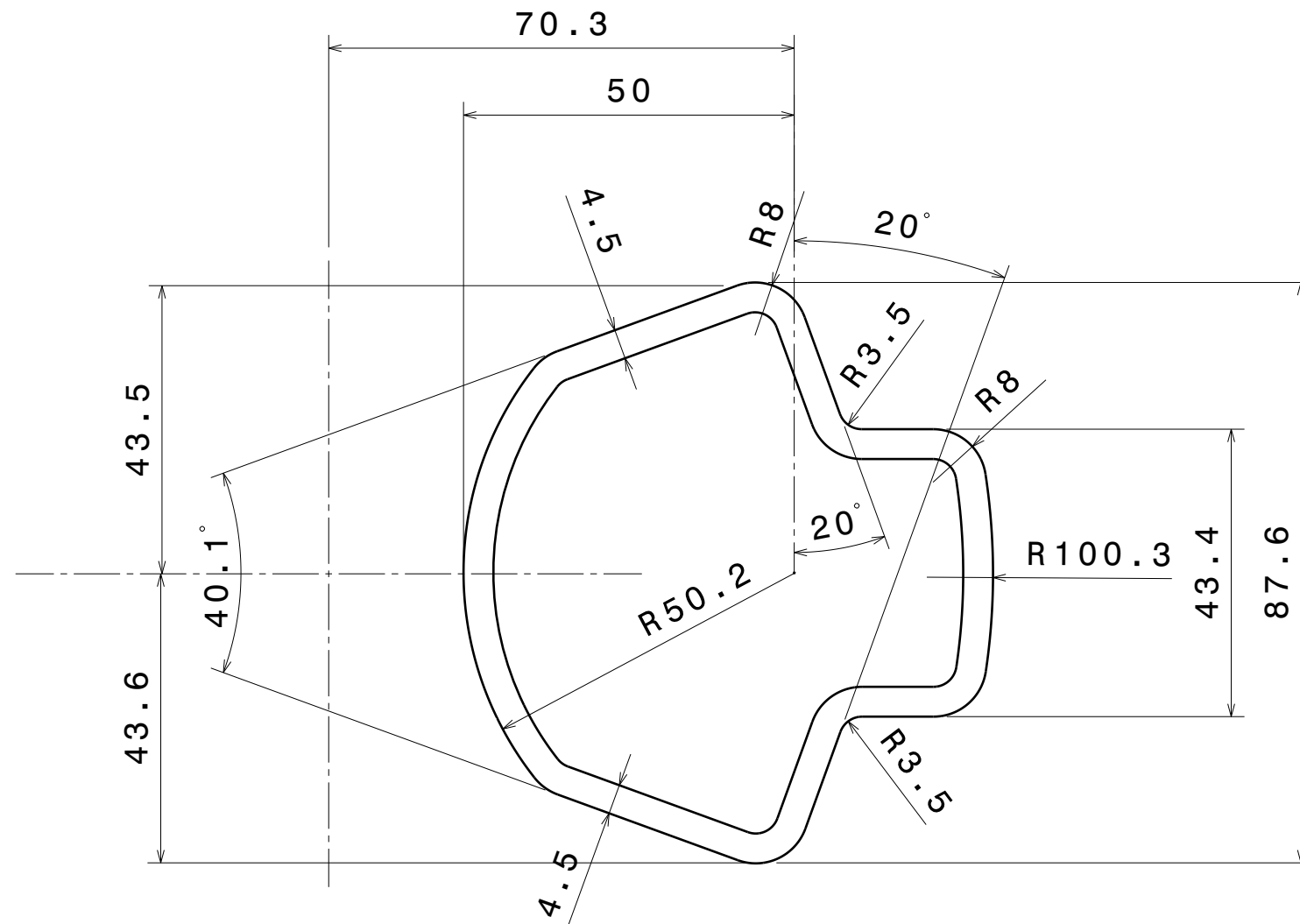
DIN ISO 2768 mK  
DIN ISO 3302-1M3

İS BU DÖKÜMANIN KULLANMA ve UYGULANMASI İLE İLGİLİ HER TÜRLÜ HAKLARI SEM LASTİK SAN.TİC.A.Ş.'NE AİTTİR.İZİNSİZ KOPYA EDİLEMEZ.ÜÇÜNCÜ SAHİSLAR TARAFINDAN BASKA MAKSATLA KULLANDIRILAMAZ.  
ALL RIGHTS RELATING TO USE AND APPLICATION OF THIS DOCUMENT BELONGS TO SEM LASTİK SAN.TİC.A.Ş. IT CAN NOT BE ALLOWED USING OF BY THIRD PEOPLE.IT CAN NOT BE COPIED WITHOUT OUR WRITTEN PERMISSION.

SEM

SEM LASTİK  
SAN.TİC.A.Ş.

Yeni Yalova Yolu  
13.Km. Ovaakça  
BURSA / TÜRKİYE  
Tel:(0224) 267 05 41



Front view  
 Scale: 1:1

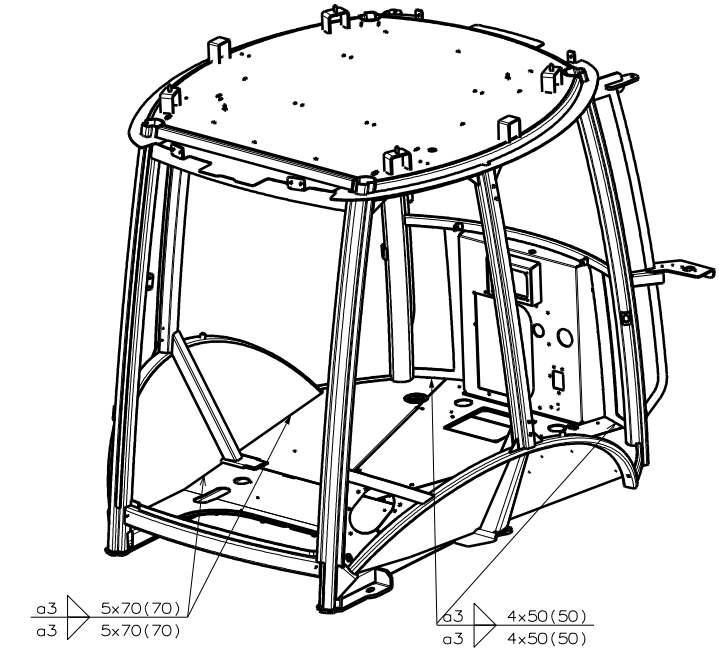
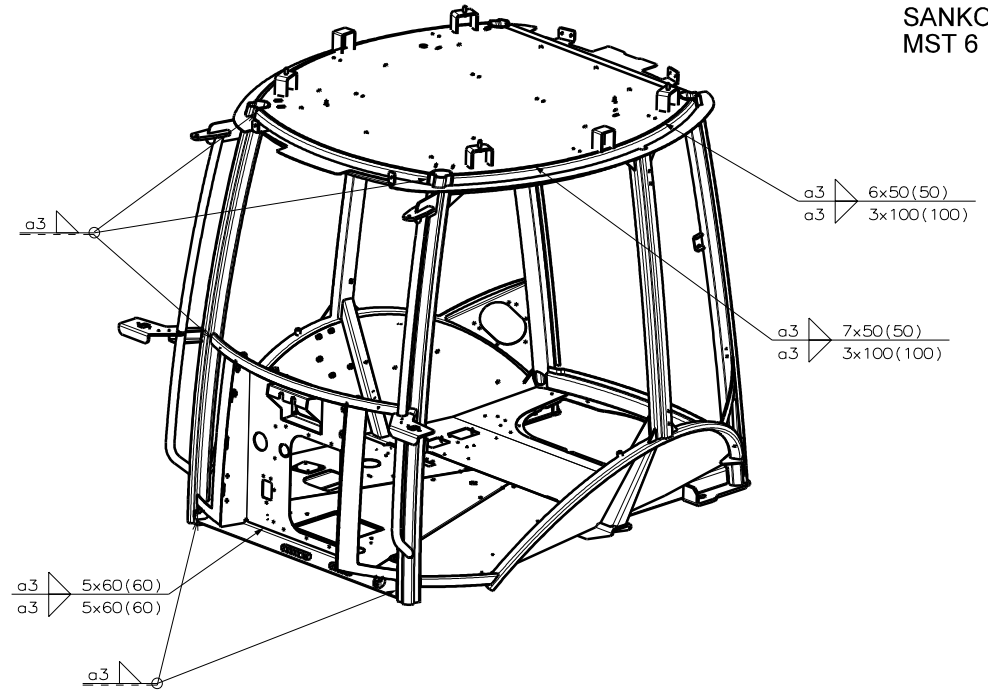
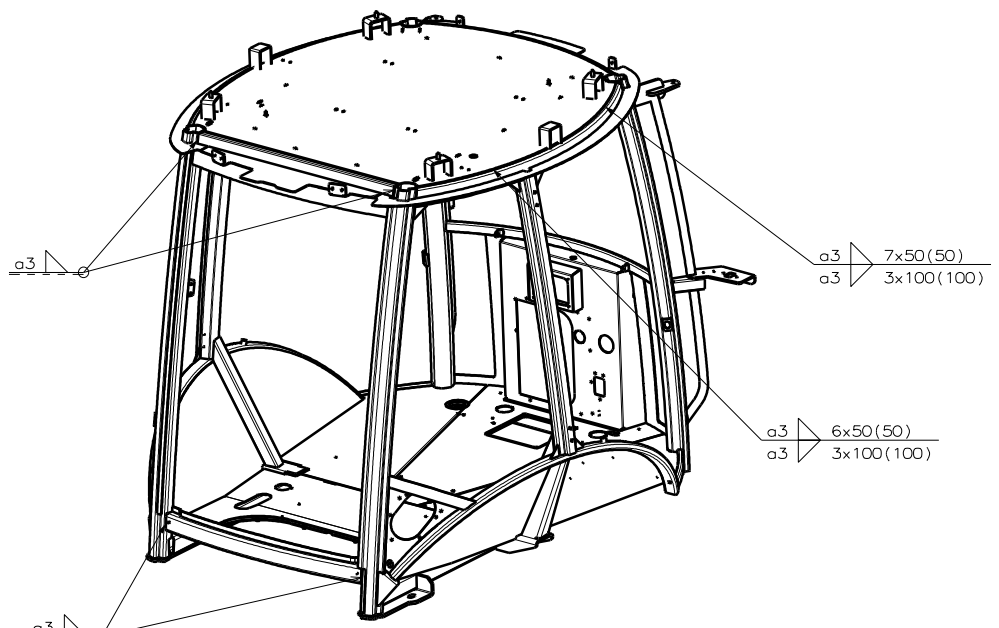
1 2 3 4 5 6 7 8

| REV | DEĞİŞİKLİK  | TARİH      | İSİM    | ONAY    |
|-----|---|------------|---------|---------|
| 1   | 172770025,172770029 ve 172770030 komplelerine revizyon işlenmiştir.   | 14.08.2014 | E.DOĞAN | A.TOGAY |
| 2   | 172770029 kompleksine revizyon işlenmiştir.172770195 numaralı parçanın tasarımını değiştirdiği için ilgili ölçüler değişmiştir. | 08.10.2014 | E.DOĞAN | A.TOGAY |
| 3   | 172770025,172770029,172770030,172770026 komplelerine revizyon işlenmiştir.  | 11.06.2015 | E.DOĞAN | A.TOGAY |

A  
B  
C  
D  
E  
F

A  
B  
C  
D  
E  
F

SANKO  
MST 6



Bill of Material: 172770027

| Number | Nomenclature               | Quantity | Part Number | Type     | Revision |
|--------|----------------------------|----------|-------------|----------|----------|
| 1      | TAVAN KAYNAKLI KOMPLESİ    | 1        | 172770025   | Assembly |          |
| 2      | SOL YAN KAYNAKLI KOMPLE    | 1        | 172770030   | Assembly |          |
| 3      | SAG YAN KAYNAKLI KOMPLE    | 1        | 172770029   | Assembly |          |
| 4      | TABAN KAYNAKLI KOMPLESİ    | 1        | 172770026   | Assembly |          |
| 5      | ON GÖĞÜS KAYNAKLI KOMPLESİ | 1        | 172770028   | Assembly |          |

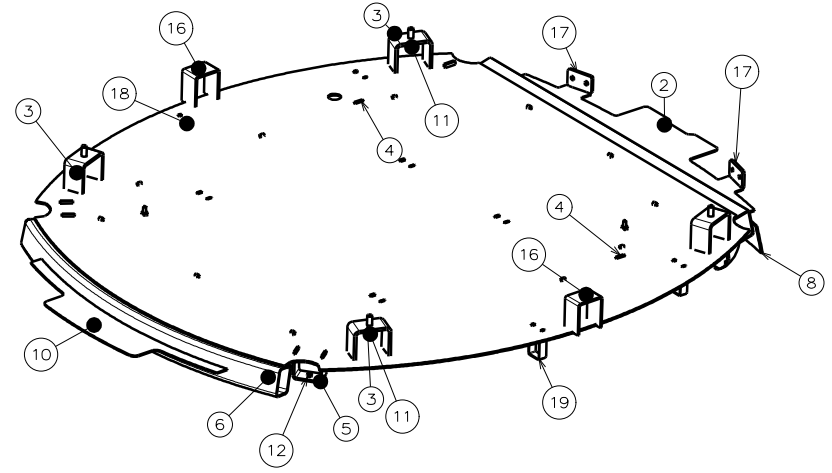
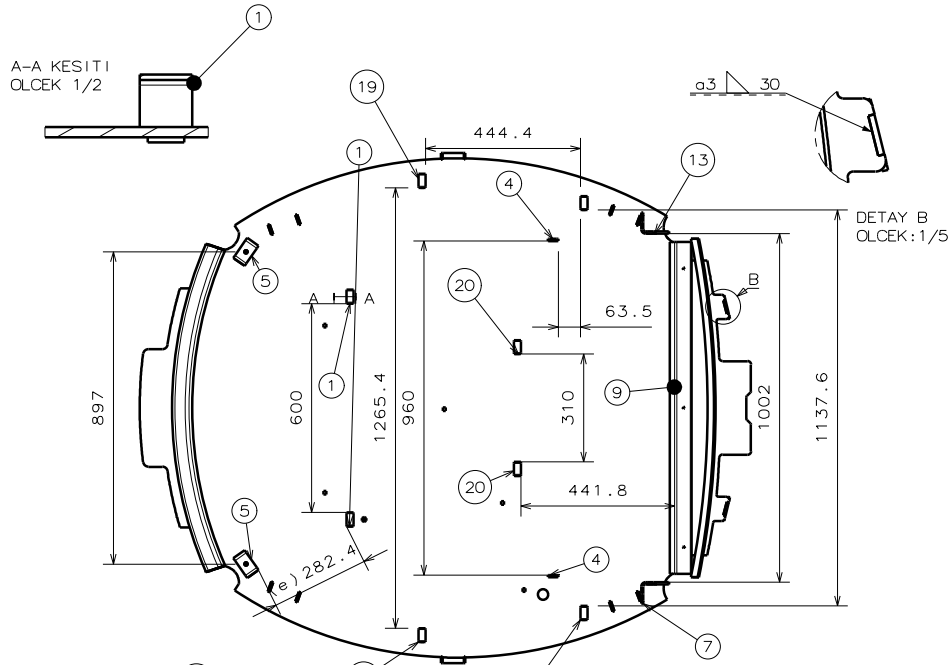
| GENEL OLCU TOLERANSLARI                                  |            | CİZEN                        | TARİH      | İSİM           | İMZA | <b>HISARLAR</b>       |   |
|--|------------|------------------------------|------------|----------------|------|-----------------------|---|
| DOĞRUSAL   | ISO 2768-c | KONTROL                      | 01.06.2012 | Emrah DOĞAN    |      |                       | Eskişehir-Bursa yolu 20 km. 26550 Eskişehir / TÜRKİYE<br>Tel : 0.222.411 24 30 Faks : 0.222.411 30 01<br>http://www.hisarlar.com.tr E-mail : hisarlar@hisarlar.com.tr |
| ACILAR   | ISO 2768-c | ONAY                         | 01.06.2012 | Gökseil ATILLA |      |                       |   |
| KONUM  | ISO 2768-L | PARÇA ADI                    |            |                |      |                       | RESİM NO<br><b>172770027</b>  |
| YÜZEY KALİTESİ   | *          | <b>KABİN KAYNAKLI KOMPLE</b> |            |                |      | OLCEK<br>1/20         |   |
| YÜZEY İŞLEMİ   | *          | MALZEME                      |            |                |      | SAYFA<br>2/2          |   |
| CAD RESİM ÜZERİNDE ELLE DEĞİŞİKLİK YAPILMAZ OLCU ALINMAZ |            | MALZEME                      |            | MALZEME EBADI  |      | BRUT AĞ/ADET<br>493Kg |   |
|  |            | *                            |            | *              |      | ADET<br>1             |   |

Bu resim HISARLAR A.Ş.'ye aittir.  
HISARLAR'ın yazılı izni olmadan bu resimle  
üçüncü şahıslara verilmemez ve kopya edilmez.  
Tüm yasal haklar HISARLAR A.Ş.'ye aittir.

1 2 3 4 5 6 7 8

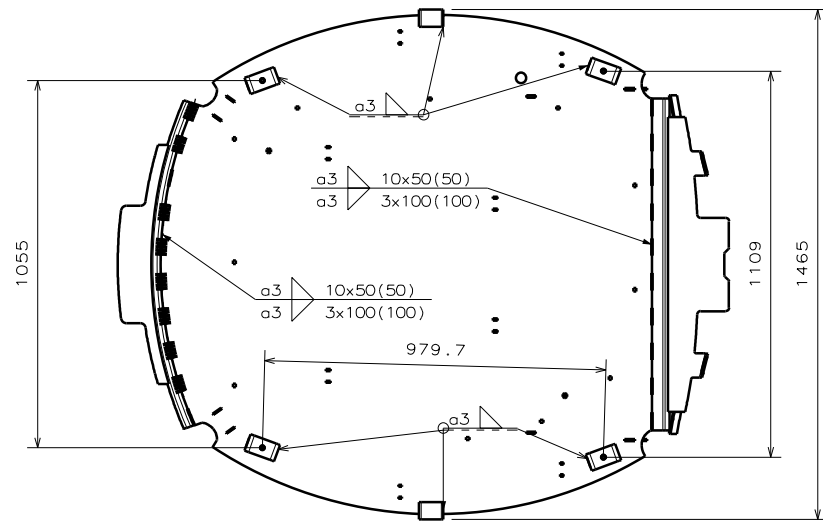
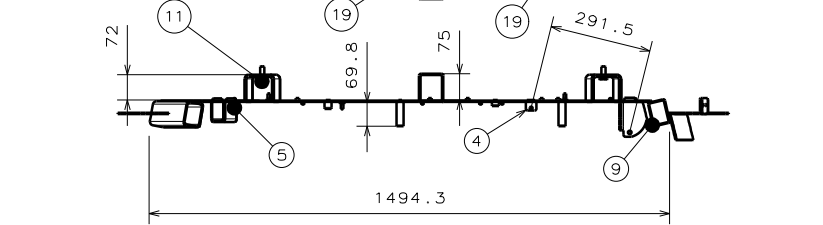
| REV | DEĞİŞİKLİK  | TARİH      | İSİM    | ONAY    |
|-----|---|------------|---------|---------|
| h   | 172770109,144,121,241,503,529,531 detay parçalara ve 172770064 kaynaklı komplekse revizyon işlenmiştir. | 09.06.2015 | E.DOĞAN | A.TOGAY |

SANKO  
MST 6



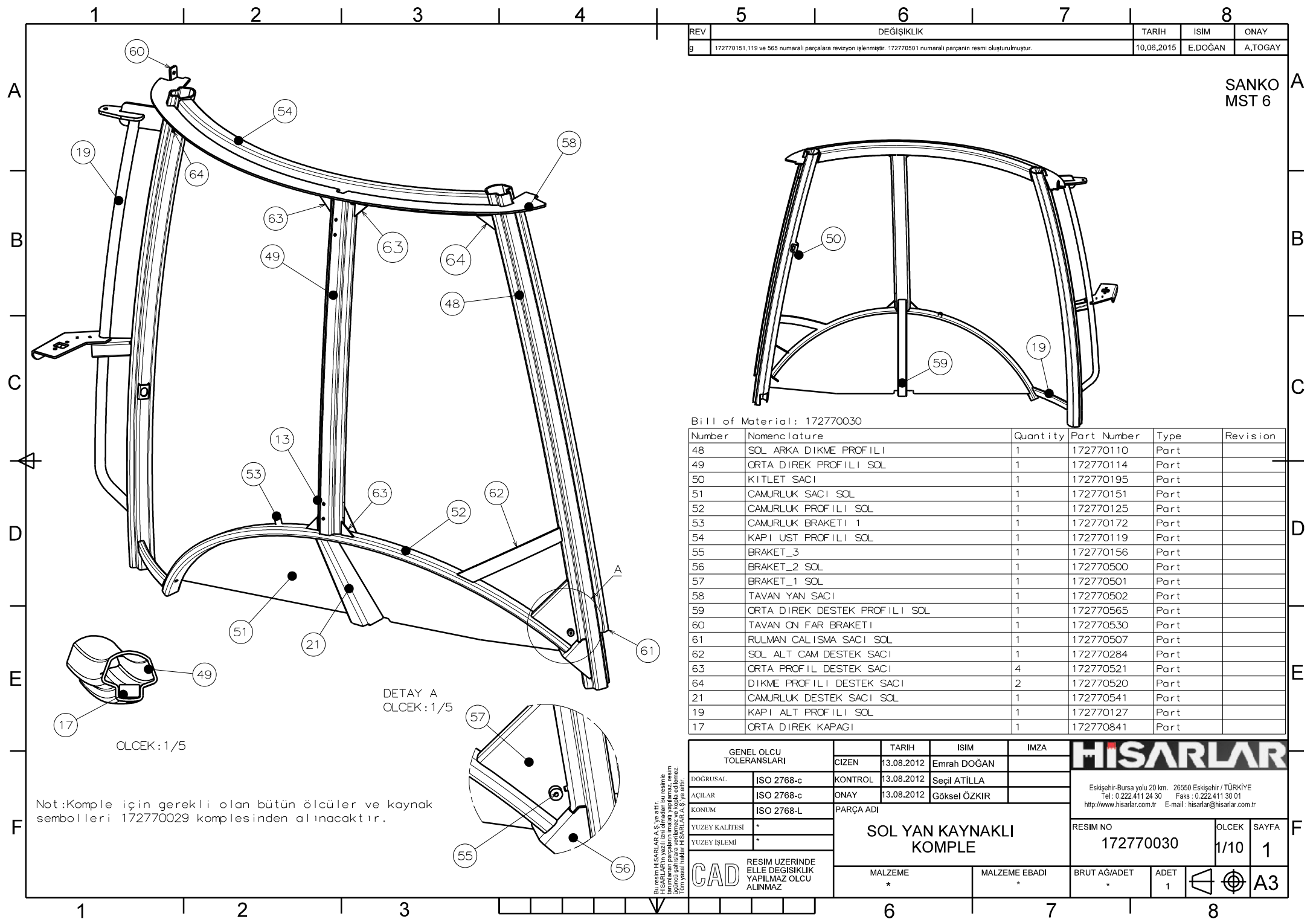
Bill of Material: 172770025

| Number | Nomenclature                    | Quantity | Part Number | Type     | Revision |
|--------|---------------------------------|----------|-------------|----------|----------|
| 2      | TAVAN ARKA SACI                 | 1        | 172770109   | Part     |          |
| 3      | TAVAN DIS TRİM BRAKETİ          | 4        | 172770144   | Part     |          |
| 4      | ARKA CERÇEVE AMORTİSORU BRAKETİ | 2        | 172770161   | Part     |          |
| 5      | TAVAN ÖN İC TRİM BRAKETİ        | 2        | 172770163   | Part     |          |
| 6      | TAVAN ÖN PROFİLİ                | 1        | 172770121   | Part     |          |
| 7      | AMORTİSOR BAĞLANTI BRAKETİ SAĞ  | 1        | 172770162   | Part     |          |
| 8      | TAVAN ARKA ETEK SACI            | 1        | 172770240   | Part     |          |
| 9      | TAVAN ARKA PROFİLİ              | 1        | 172770241   | Part     |          |
| 10     | TAVAN ÖN SACI                   | 1        | 172770503   | Part     |          |
| 12     | M6 SOMUN                        | 2        | 15013007    | Part     |          |
| 11     | M12X35 Civata                   | 4        | 15010313    | Part     | None     |
| 13     | AMORTİSOR BAĞLANTI BRAKETİ SOL  | 1        | 172770191   | Part     |          |
| 16     | TAVAN ORTA DESTEK SACI          | 2        | 172770529   | Part     |          |
| 17     | TAVAN ARKA FAR BRAKETİ          | 2        | 172770531   | Part     |          |
| 1      | TAVAN BAĞLANTI STOPERİ          | 2        | 172770522   | Part     |          |
| 19     | İC DOSEME DESTEK PARÇASI-1      | 4        | 172770563   | Part     |          |
| 20     | İC DOSEME DESTEK PARÇASI-2      | 2        | 172770564   | Part     |          |
| 18     | TAVAN SACI KAYNAKLI KOMPLESİ    | 1        | 172770064   | Assembly |          |



Bu resim HİSARLAR P.A.S. tarafından hazırlanmıştır. HİSARLAR'ın yazılımı olmadan bu resimle tanımlanan parçaların imalatı yapılmaz, resim tüm yasal hakları HİSARLAR A.Ş.'ye aittir.

| GENEL ÖLÇÜ TOLERANSLARI                                       |            | TARİH                      | İSİM          | İMZA         | HİSARLAR  |                       |
|---|------------|----------------------------|---------------|--------------|---|-----------------------|
| DOĞRUSAL  | ISO 2768-c | KONTROL                    | 13.07.2012    | Emrah DOĞAN  | Eskişehir-Bursa yolu 20 km. 26550 Eskişehir / TÜRKİYE<br>Tel : 0.222.411 24 30 Faks : 0.222.411 30 01<br>http://www.hisarlar.com.tr E-mail : hisarlar@hisarlar.com.tr |                       |
| AÇILAR  | ISO 2768-c | ONAY                       | 13.07.2012    | Seçil ATILLA |   |                       |
| KONUM   | ISO 2768-L | PARÇA ADI                  |               |              |   |                       |
| YÜZEY KALİTESİ  | *          | TAVAN KAYNAKLI<br>KOMPLESİ |               |              |   |                       |
| YÜZEY İŞLEMİ  | *          |                            |               |              |   |                       |
| RESİM ÜZERİNDE<br>ELLE DEĞİŞİKLİK<br>YAPILMAZ ÖLÇÜ<br>ALINMAZ |            | MALZEME                    | MALZEME EBADI | BRUT AĞ/ADET | ADET  | RESİM NO<br>172770025 |
|   |            | *                          | *             | *            | 1   | OLÇEK<br>1/10         |
|   |            |                            |               |              |   | SAYFA<br>1/1          |
|   |            |                            |               |              |   | A3                    |



| REV | DEĞİŞİKLİK   | TARİH      | İSİM    | ONAY    |
|-----|--|------------|---------|---------|
| g   | 172770151,119 ve 565 numaralı parçalara revizyon işlenmiştir. 172770501 numaralı parçanın resmi oluşturulmuştur. | 10.06.2015 | E.DOĞAN | A.TOGAY |

SANKO  
MST 6

Bill of Material: 172770030

| Number | Nomenclature                  | Quantity | Part Number | Type | Revision |
|--------|-------------------------------|----------|-------------|------|----------|
| 48     | SOL ARKA DİKME PROFİLİ        | 1        | 172770110   | Part |          |
| 49     | ORTA DİREK PROFİLİ SOL        | 1        | 172770114   | Part |          |
| 50     | KITLET SACI                   | 1        | 172770195   | Part |          |
| 51     | CAMURLUK SACI SOL             | 1        | 172770151   | Part |          |
| 52     | CAMURLUK PROFİLİ SOL          | 1        | 172770125   | Part |          |
| 53     | CAMURLUK BRAKETİ 1            | 1        | 172770172   | Part |          |
| 54     | KAPI ÜST PROFİLİ SOL          | 1        | 172770119   | Part |          |
| 55     | BRAKET_3                      | 1        | 172770156   | Part |          |
| 56     | BRAKET_2 SOL                  | 1        | 172770500   | Part |          |
| 57     | BRAKET_1 SOL                  | 1        | 172770501   | Part |          |
| 58     | TAVAN YAN SACI                | 1        | 172770502   | Part |          |
| 59     | ORTA DİREK DESTEK PROFİLİ SOL | 1        | 172770565   | Part |          |
| 60     | TAVAN ÖN FAR BRAKETİ          | 1        | 172770530   | Part |          |
| 61     | RULMAN ÇALIŞMA SACI SOL       | 1        | 172770507   | Part |          |
| 62     | SOL ALT CAM DESTEK SACI       | 1        | 172770284   | Part |          |
| 63     | ORTA PROFİL DESTEK SACI       | 4        | 172770521   | Part |          |
| 64     | DİKME PROFİLİ DESTEK SACI     | 2        | 172770520   | Part |          |
| 21     | CAMURLUK DESTEK SACI SOL      | 1        | 172770541   | Part |          |
| 19     | KAPI ALT PROFİLİ SOL          | 1        | 172770127   | Part |          |
| 17     | ORTA DİREK KAPAGI             | 1        | 172770841   | Part |          |

DETAY A  
ÖLÇEK: 1/5

ÖLÇEK: 1/5

Not:Komple için gerekli olan bütün ölçüler ve kaynak sembolleri 172770029 kompleksinden alınacaktır.

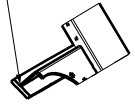
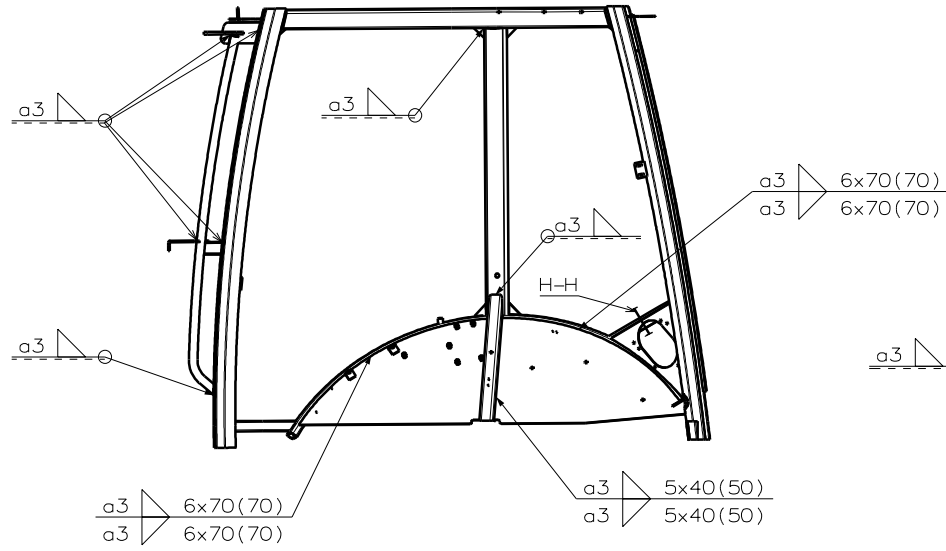
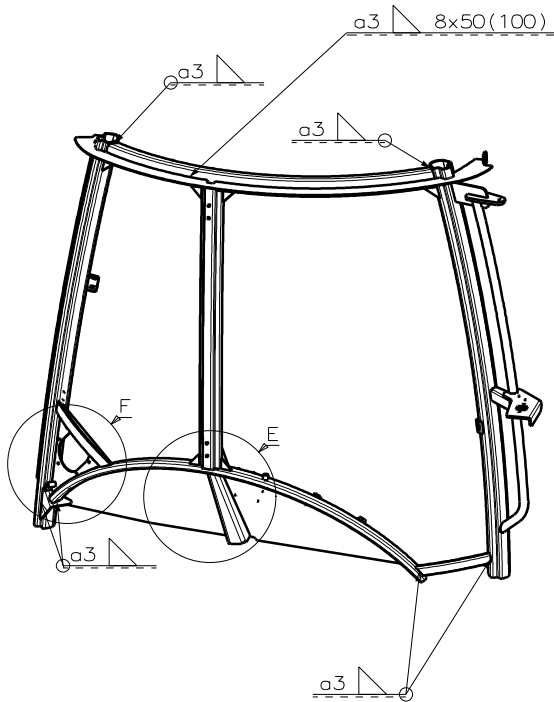
Bu resim HİSARLAR A.Ş.'ye aittir.  
HİSARLAR'ın yazılı izni olmadan bu resimle ilgili hiçbir şekilde yayımlanma veya kopyalama yapılamaz.  
Tüm yasal hakları HİSARLAR A.Ş.'ye aittir.

| GENEL ÖLÇÜ TOLERANSLARI |  | TARİH                   | İSİM        | İMZA          | HİSARLAR  |
|-------------------------|--|-------------------------|-------------|---------------|---|
| DOĞRUSAL                | ISO 2768-c   | 13.08.2012              | Emrah DOĞAN |               |   |
| ÇIĞLAR                  | ISO 2768-c   | KONTROL                 | 13.08.2012  | Seçil ATILLA  |   |
| KONUM                   | ISO 2768-L   | ONAY                    | 13.08.2012  | Gökseki ÖZKIR |   |
| YÜZEY KALİTESİ          | *  | PARÇA ADI               |             |               | Eskişehir-Bursa yolu 20 km. 26550 Eskişehir / TÜRKİYE<br>Tel : 0.222.411 24 30 Faks : 0.222.411 30 01<br>http://www.hisarlar.com.tr E-mail : hisarlar@hisarlar.com.tr |
| YÜZEY İŞLEMİ            | *  | SOL YAN KAYNAKLI KOMPLE |             |               |   |
| CAD                     | RESİM ÜZERİNDE ELLE DEĞİŞİKLİK YAPILMAZ ÖLÇÜ ALINMAZ | MALZEME                 |             |               | RESİM NO  |
|                         |  | MALZEME EBADI           |             |               | 172770030   |
|                         |  | BRUT AĞ/ADET            |             |               | ÖLÇEK   |
|                         |  | ADET                    |             |               | 1/10  |
|                         |  | ADET                    |             |               | 1   |
|                         |  | ADET                    |             |               | 1   |
|                         |  | ADET                    |             |               | A3  |

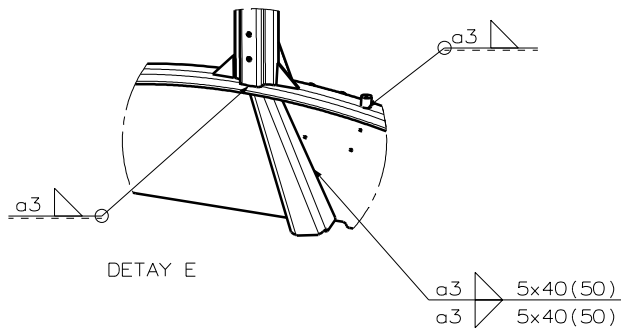


| REV | DEĞİŞİKLİK   | TARİH      | İSİM    | ONAY    |
|-----|--|------------|---------|---------|
| h   | 172770154 ve 156 iptal edilmiştir. 172770812 ve 571 numaralı parçalar eklenmiştir. 172770116,120,502,530 parçaları ile 172770051 kompleksine revizyon işlenmiştir. | 10.06.2015 | E.DOĞAN | A.TOGAY |

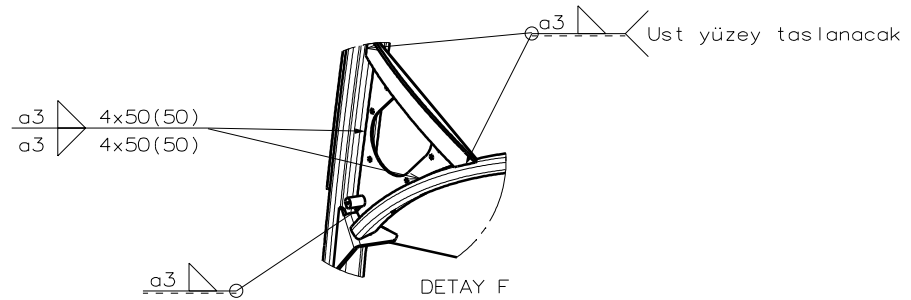
SANKO  
MST 6



H-H KESİTİ



DETAY E



DETAY F

| GENEL OLCU TOLERANSLARI   |            | TARİH                      | İSİM          | İMZA         | <b>HISARLAR</b>       |
|---|------------|----------------------------|---------------|--------------|-----------------------|
| DOĞRUSAL  | ISO 2768-c | CİZEN                      | 13.08.2012    | Emrah DOĞAN  |                       |
| AÇILAR  | ISO 2768-c | KONTROL                    | 13.08.2012    | Seçil ATILLA |                       |
| KONUM   | ISO 2768-L | ONAY                       | 13.08.2012    | Göksel ÖZKIR |                       |
| YÜZEY KALHESİ   | *          | PARÇA ADI                  |               |              | RESİM NO<br>172770029 |
| YÜZEY İŞLEMİ  | *          | SAG YAN KAYNAKLI<br>KOMPLE |               |              |                       |
| CAD RESİM ÜZERİNDE<br>ELLE DEĞİŞİKLİK<br>YAPILMAZ OLCU<br>ALINMAZ |            | MALZEME                    | MALZEME EBADI | BRUT AĞ/ADET | ADET                  |
|   |            | *                          | *             | *            | 1                     |
|   |            |                            |               | OLCEK        | SAYFA                 |
|   |            |                            |               | 1/15         | 2/2                   |
|   |            |                            |               | A3           |                       |

Bu resim HISARLAR A.Ş.'ye aittir.  
HISARLAR'ın yazılı izni olmadan bu resimle  
ilgili hiçbir işlem yapılamaz. Bu resim  
sadece teknik amaçla kullanılmak üzere  
Tüm yasal hakları HISARLAR A.Ş.'ye aittir.

Eskişehir-Bursa yolu 20 km. 26550 Eskişehir / TÜRKİYE  
Tel : 0.222.411 24 30 Faks : 0.222.411 30 01  
http://www.hisarlar.com.tr E-mail : hisarlar@hisarlar.com.tr



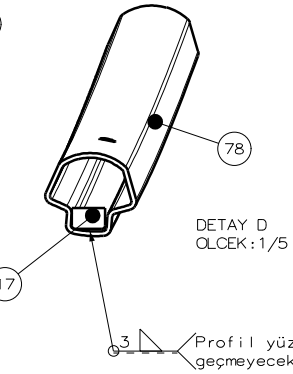
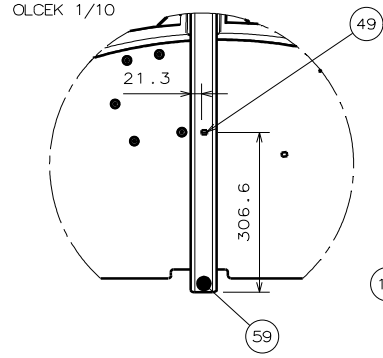
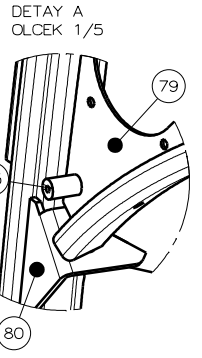
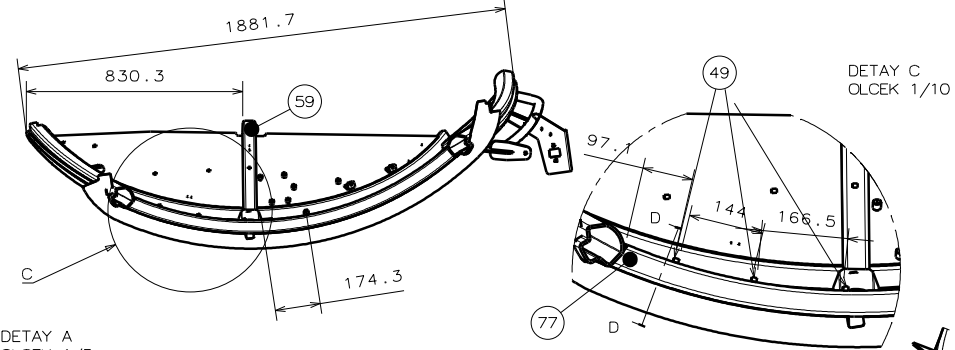
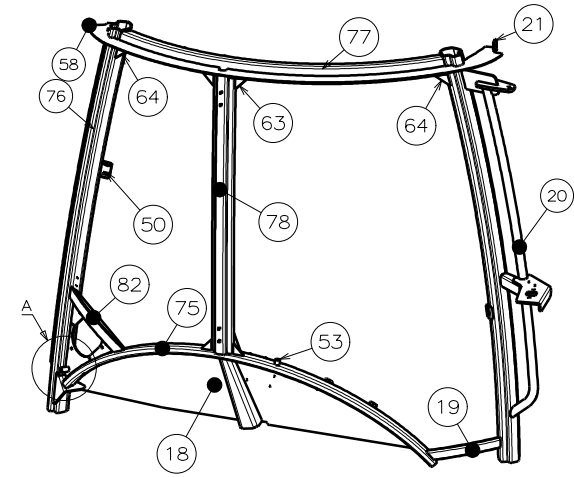
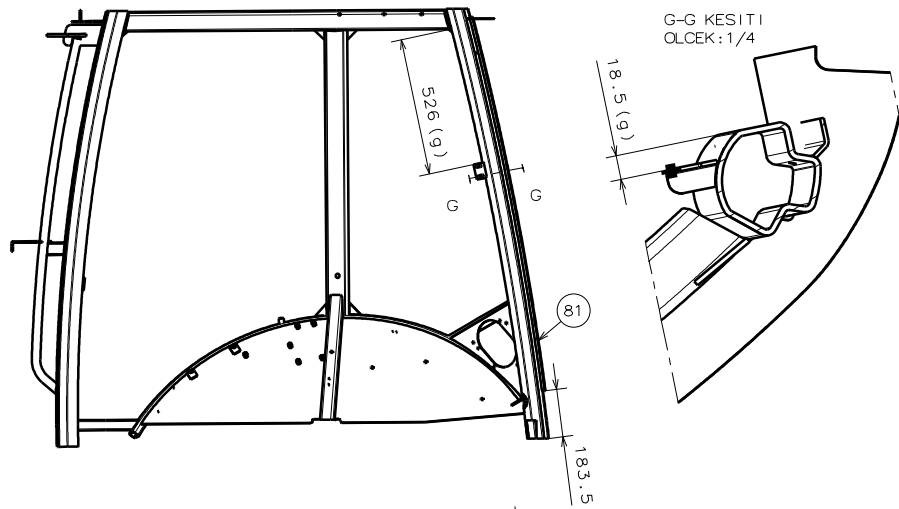
1 2 3 4 5 6 7 8

| REV | DEĞİŞİKLİK   | TARİH      | İSİM    | ONAY    |
|-----|--|------------|---------|---------|
| h   | 172770154 ve 156 iptal edilmiştir. 172770612 ve 571 numaralı parçalar eklenmiştir. 172770116,120,502,530 parçaları ile 172770051 kompleksine revizyon işlenmiştir. | 10.06.2015 | E.DOĞAN | A.TOGAY |

SANKO  
MST 6

A  
B  
C  
D  
E  
F

A  
B  
C  
D  
E  
F



Bill of Material: 172770029

| Number | Nomenclature                      | Quantity | Part Number | Type     | Revision |
|--------|-----------------------------------|----------|-------------|----------|----------|
| 75     | CAMURLUK PROFİLİ SAG              | 1        | 172770124   | Part     |          |
| 59     | ORTA DİREK DESTEK PROFİLİ         | 1        | 172770116   | Part     |          |
| 53     | CAMURLUK BRAKETİ 1                | 1        | 172770172   | Part     |          |
| 76     | SAG ARKA DİKME PROFİLİ            | 1        | 172770111   | Part     |          |
| 77     | KAPI ÜST PROFİLİ SAG              | 1        | 172770120   | Part     |          |
| 78     | ORTA DİREK PROFİLİ SAG            | 1        | 172770115   | Part     |          |
| 79     | FİLTRE BAĞLANTI SACI              | 1        | 172770612   | Part     |          |
| 80     | BRAKET_2 SAG                      | 1        | 172770155   | Part     |          |
| 55     | SAG CAMURLUK SOMUNU               | 1        | 172770571   | Part     |          |
| 58     | TAVAN YAN SACI                    | 1        | 172770502   | Part     |          |
| 50     | KİTLEK SACI                       | 1        | 172770195   | Part     |          |
| 81     | RULMAN ÇALIŞMA SACI SAG           | 1        | 172770508   | Part     |          |
| 82     | SAG ALT CAM DESTEK SACI           | 1        | 172770285   | Part     |          |
| 64     | DİKME PROFİLİ DESTEK SACI         | 2        | 172770520   | Part     |          |
| 63     | ORTA PROFİL DESTEK SACI           | 4        | 172770521   | Part     |          |
| 49     | BONOLUK                           | 4        | 025-1114    | Part     |          |
| 17     | ORTA DİREK KAPAGI                 | 1        | 172770841   | Part     |          |
| 18     | SAG CAMURLUK SACI KAYNAKLI KOMPLE | 1        | 172770051   | Assembly |          |
| 19     | KAPI ALT PROFİLİ SAG              | 1        | 172770126   | Part     |          |
| 20     | SAG ON DİKME KAYNAKLI KOMPLE      | 1        | 172770053   | Assembly |          |
| 21     | TAVAN ON FAR BRAKETİ              | 1        | 172770530   | Part     |          |

| GENEL ÖLÇÜ TOLERANSLARI                              |            | TARİH                   | İSİM          | İMZA         | HISARLAR |       |
|--|------------|-------------------------|---------------|--------------|----------|-------|
| DOĞRUSAL   | ISO 2768-c | 13.08.2012              | Emrah DOĞAN   |              |          |       |
| ÇAĞLAR   | ISO 2768-c | 13.08.2012              | Seçil ATILLA  |              |          |       |
| KONUM  | ISO 2768-L | 13.08.2012              | Göksele ÖZKIR |              |          |       |
| YÜZEY KALİTESİ                                       |            | PARÇA ADI               |               | RESİM NO     | ÖLÇEK    | SAYFA |
| YÜZEY İŞLEMİ   |            | SAG YAN KAYNAKLI KOMPLE |               |              |          |       |
| RESİM ÜZERİNDE ELLE DEĞİŞİKLİK YAPILMAZ ÖLÇÜ ALINMAZ |            | MALZEME                 | MALZEME EBADI | BRUT AĞ/ADET | ADET     | A3    |
| CAD  |            | *                       | *             | *            | 1        |       |

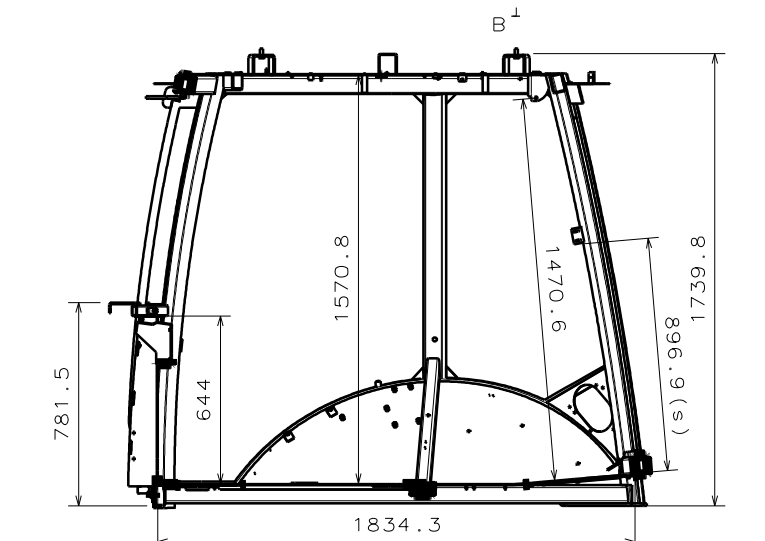
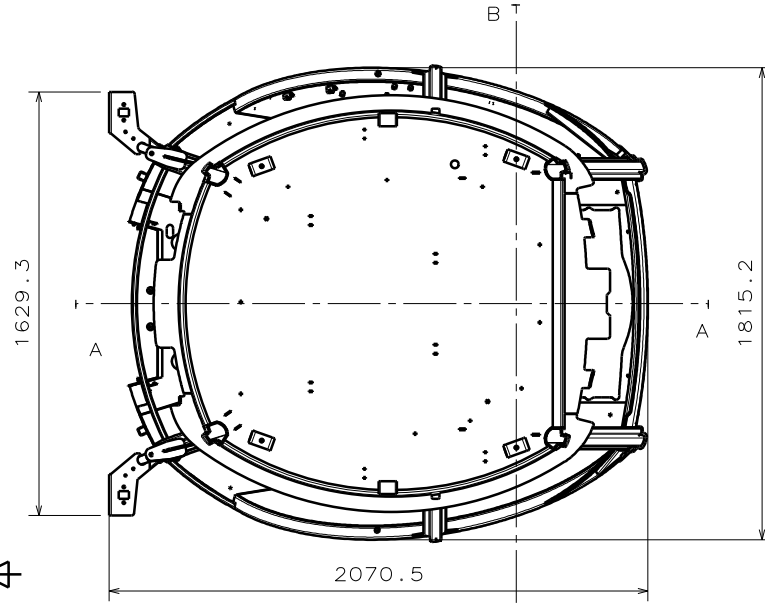
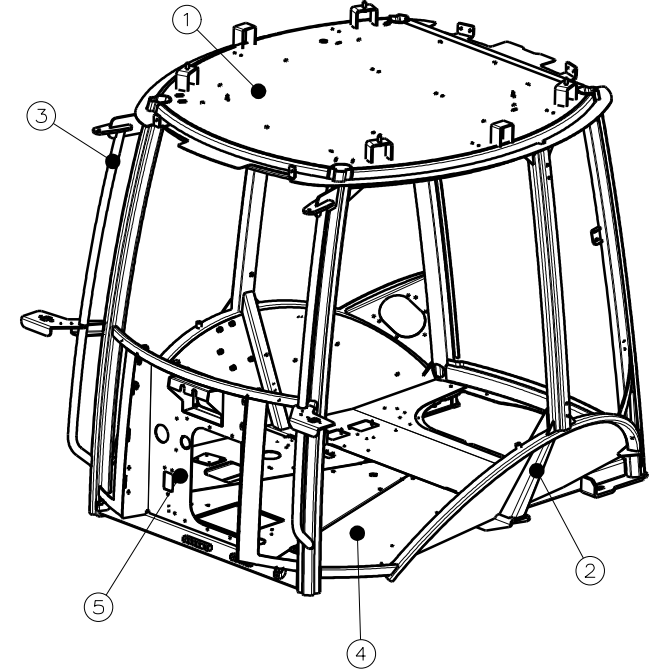
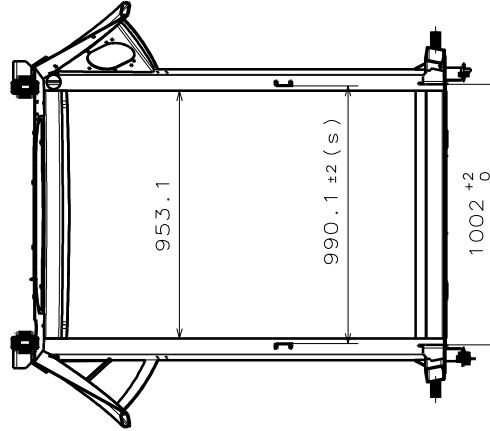
Bu resim HISARLAR A.Ş.'ye aittir. İçerisindeki bilgilerin kullanılması için HISARLAR A.Ş.'ye yazılı izin alınmalıdır. Resimdeki parçaların imalatı yapılmaz, resim üzerindeki sahnelere verilmeye ve değiştirilmeye. Aynı parçaların kullanılması için HISARLAR A.Ş.'ye yazılı izin alınmalıdır.

1 2 3 4 5 6 7 8

| REV | DEĞİŞİKLİK   | TARİH      | İSİM    | ONAY    |
|-----|--|------------|---------|---------|
| f   | 172770025,172770029 ve 172770030 komplelerine revizyon işlenmiştir.  | 14.08.2014 | E.DOĞAN | A.TOGAY |
| s   | 172770029 kompleksine revizyon işlenmiştir.172770195 numaralı parçanın tasarımını değişikliği için ilgili ölçüler değişmiştir. | 08.10.2014 | E.DOĞAN | A.TOGAY |
| t   | 172770025,172770029,172770030,172770026 komplelerine revizyon işlenmiştir.   | 11.06.2015 | E.DOĞAN | A.TOGAY |

SANKO  
MST 6

B-B KESİTİ



A-A KESİTİ

- Not:1-EFS 82-S005 YARIMAT SİYAH (15026006)RAL9005 Siyah+Kataforez  
2-Kataforez sonrası mastik çekilecektir.  
3-Ön göğüs sacında kaynaklı bulunan 8 adet M6 somun boyadan korunacaktır.

Bill of Material: 172770027

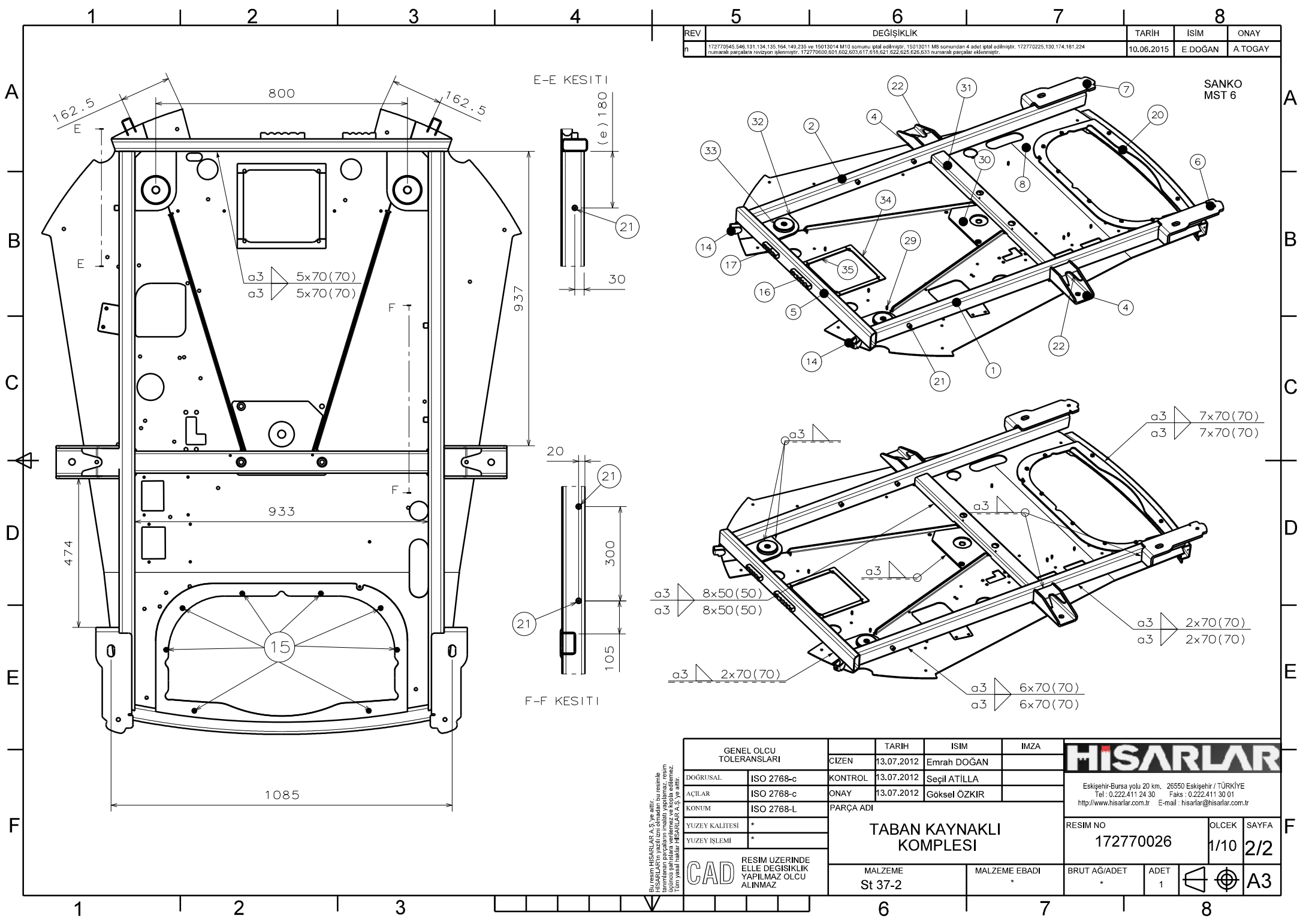
| Number | Nomenclature               | Quantity | Part Number | Type     | Revision |
|--------|----------------------------|----------|-------------|----------|----------|
| 1      | TAVAN KAYNAKLI KOMPLESİ    | 1        | 172770025   | Assembly |          |
| 2      | SOL YAN KAYNAKLI KOMPLE    | 1        | 172770030   | Assembly |          |
| 3      | SAG YAN KAYNAKLI KOMPLE    | 1        | 172770029   | Assembly |          |
| 4      | TABAN KAYNAKLI KOMPLESİ    | 1        | 172770026   | Assembly |          |
| 5      | ÖN GÖĞÜS KAYNAKLI KOMPLESİ | 1        | 172770028   | Assembly |          |

| GENEL OLCU TOLERANSLARI                              |            | TARİH                 | İSİM       | İMZA         | <b>HISARLAR</b>   |
|--|------------|-----------------------|------------|--------------|---|
| CİZEN  | 01.06.2012 | Emrah DOĞAN           |            |              |   |
| BOĞRUSAL   | ISO 2768-c | KONTROL               | 01.06.2012 | Seçil ATILLA | Eskişehir-Bursa yolu 20 km. 26550 Eskişehir / TÜRKİYE<br>Tel : 0 222 411 24 30 Faks : 0 222 411 30 01<br>http://www.hisarlar.com.tr E-mail : hisarlar@hisarlar.com.tr |
| AÇILAR   | ISO 2768-c | ONAY                  | 01.06.2012 | Göksel ÖZKIR |   |
| KONUM  | ISO 2768-L | PARÇA ADI             |            |              | RESİM NO<br>172770027   |
| YÜZEY KALİTESİ                                       | *          | KABİN KAYNAKLI KOMPLE |            |              |   |
| YÜZEY İŞLEMİ   | *          | MALZEME               |            |              | OLCEK   |
| RESİM ÜZERİNDE ELLE DEĞİŞİKLİK YAPILMAZ OLCU ALINMAZ |            | MALZEME EBADI         |            |              | 1/20  |
| * MALZEME  |            | * MALZEME EBADI       |            |              | SAYFA   |
| * MALZEME  |            | * MALZEME EBADI       |            |              | 2/1   |
| * MALZEME  |            | * MALZEME EBADI       |            |              | BRUT AĞ/ADET  |
| * MALZEME  |            | * MALZEME EBADI       |            |              | 493Kg   |
| * MALZEME  |            | * MALZEME EBADI       |            |              | ADET  |
| * MALZEME  |            | * MALZEME EBADI       |            |              | 1   |
| * MALZEME  |            | * MALZEME EBADI       |            |              | A3  |

Resim: HISARLAR A.Ş. ye aittir.  
HISARLAR'ın yazılı izni olmadan bu resimle  
benzerlik amaçlı imalat yapılmaz, resim  
Tüm yazılı hakları HISARLAR A.Ş. ye aittir.

CAD

A3



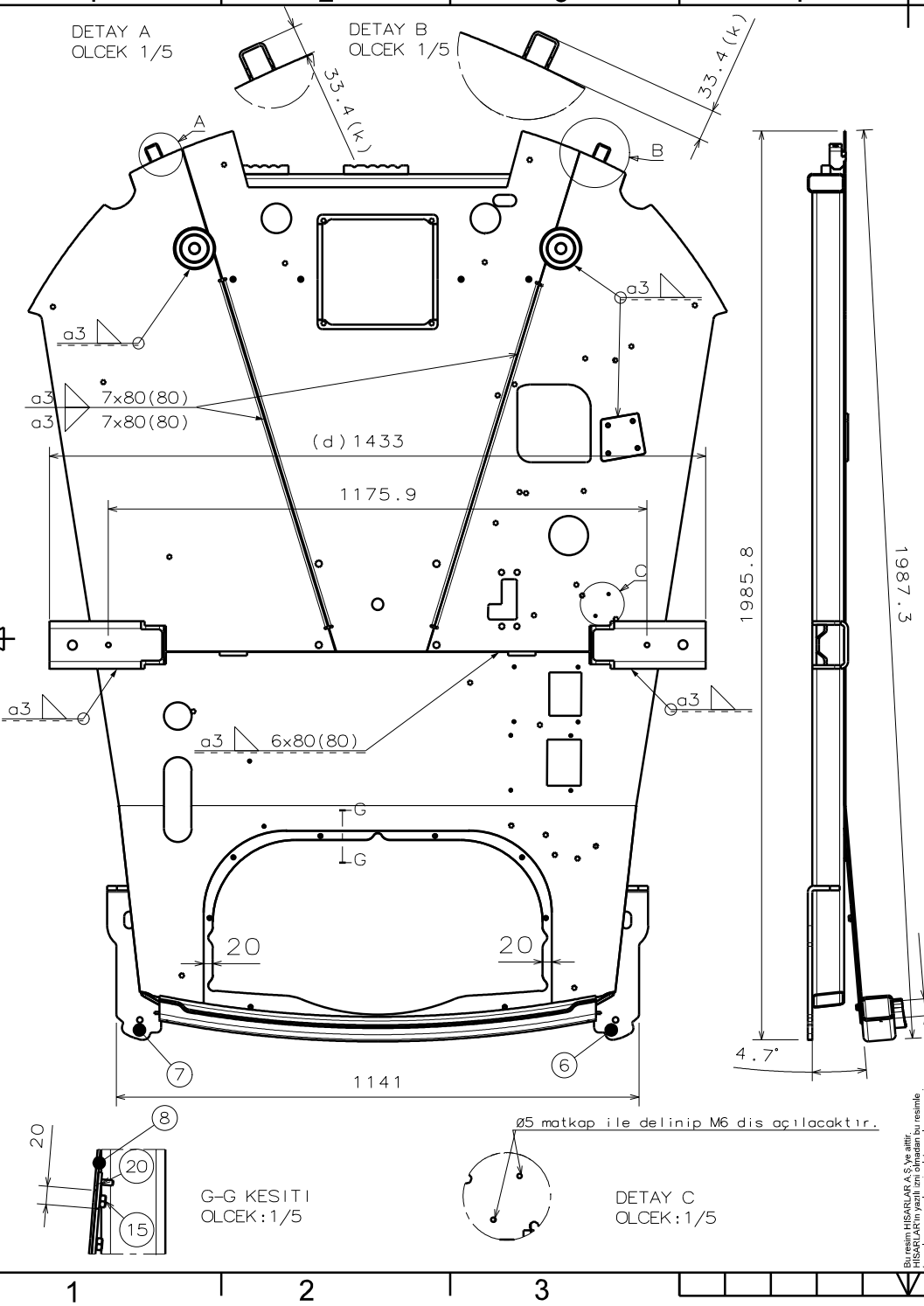
| REV | DEĞİŞİKLİK   | TARİH      | İSİM    | ONAY    |
|-----|--|------------|---------|---------|
| n   | 172770045, 546, 131, 134, 135, 164, 140, 235 ve 15013014 M10 somunu iptal edilmiştir. 15012011 M8 somundan 4 adet iptal edilmiştir. 172770225, 130, 174, 181, 224 numaralı parçalara revizyon alınmıştır. 172770500, 631, 632, 633, 617, 618, 621, 622, 625, 626, 633 numaralı parçalar eklenmiştir. | 10.06.2015 | E.DOĞAN | A.TOGAY |

SANKO  
MST 6

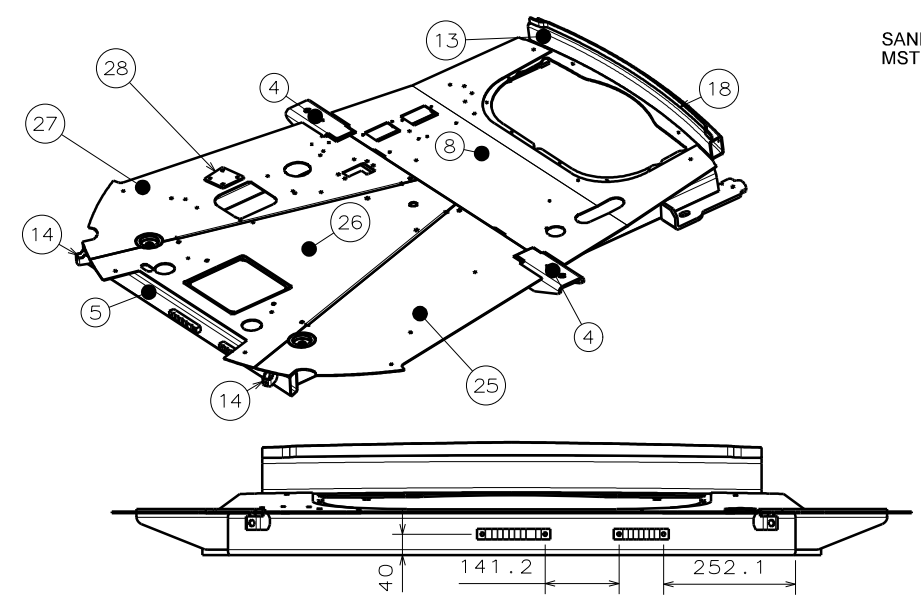
| GENEL OLCU TOLERANLARI |            | TARİH                          | İSİM          | İMZA         | <b>HISARLAR</b>   |       |
|------------------------|------------|--------------------------------|---------------|--------------|---|-------|
| DOĞRUSAL               | ISO 2768-c | 13.07.2012                     | Emrah DOĞAN   |              |   |       |
| AÇILAR                 | ISO 2768-c | KONTROL                        | 13.07.2012    | Seçil ATILLA | Eskişehir-Bursa yolu 20 km. 26550 Eskişehir / TÜRKİYE<br>Tel : 0.222.411 24 30 Faks : 0.222.411 30 01<br>http://www.hisarlar.com.tr E-mail : hisarlar@hisarlar.com.tr |       |
| KONUM                  | ISO 2768-L | ONAY                           | 13.07.2012    | Göksel ÖZKIR |   |       |
| YÜZEY KALİTESİ         | *          | PARÇA ADI                      |               |              |   |       |
| YÜZEY İŞLEMİ           | *          | <b>TABAN KAYNAKLI KOMPLESİ</b> |               |              | RESİM NO  |       |
|                        |            |                                |               |              | 172770026   |       |
|                        |            | MALZEME                        | MALZEME EBADI | BRUT AĞ/ADET | OLCEK   | SAYFA |
|                        |            | St 37-2                        | *             | *            | 1/10  | 2/2   |
|                        |            |                                |               | ADET         | A3  |       |
|                        |            |                                |               | 1            |   |       |

Bu resim HISARLAR A.Ş.'ye aittir.  
HISARLAR'ın yazılı izni olmadan bu resimle  
ilgili hiçbir şekilde çoğaltım, yayım, kopyalama,  
yayınlanma, yeniden yayımlanma veya başka amaçla  
kullanılması yasaktır. HISARLAR A.Ş.'ye aittir.  
Tüm yasal haklar HISARLAR A.Ş.'ye aittir.

**CAD** RESİM ÜZERİNDE  
ELLE DEĞİŞİKLİK  
YAPILMAZ OLCU  
ALINMAZ

A  
B  
C  
D  
E  
F

| REV | DEĞİŞİKLİK  | TARİH      | ISIM    | ONAY    |
|-----|---|------------|---------|---------|
| 1   | 172770025, 546, 131, 134, 135, 154, 149, 235 ve 15013014 M10 somunu iptal edilmiştir, 15013011 M8 somundan 4 adet iptal edilmiştir, 172770225, 130, 174, 181, 224 numaralı parçalara revizyon İşlenmiştir, 172770600, 601, 602, 603, 617, 618, 621, 622, 625, 626, 633 numaralı parçalar eklenmiştir. | 10.06.2015 | E.DOĞAN | A.TOGAY |

SANKO  
MST 6

Bill of Material: 172770026

| Number | Nomenclature                     | Quantity | Part Number | Type | Revision |
|--------|----------------------------------|----------|-------------|------|----------|
| 1      | TABAN PROFİLİ SAG                | 1        | 172770225   | Part |          |
| 2      | TABAN PROFİLİ SOL                | 1        | 172770130   | Part |          |
| 4      | PROFİL DESTEK SACI               | 2        | 172770132   | Part |          |
| 5      | TABAN ON PROFİLİ                 | 1        | 172770174   | Part |          |
| 6      | ARKA TABAN DESTEK SACI SAG       | 1        | 172770224   | Part |          |
| 7      | ARKA TABAN DESTEK SACI SOL       | 1        | 172770181   | Part |          |
| 13     | TABAN ARKA PROFİLİ               | 1        | 172770123   | Part |          |
| 15     | DIN934 M8 SOMUN                  | 8        | 15013010    | Part |          |
| 16     | DİREKSİYON KOLUNU BORU KELEPÇESİ | 1        | 172106119   | Part |          |
| 17     | FREN VALF BORU KELEPÇESİ         | 1        | 172106111   | Part |          |
| 18     | ARKA CERÇEVE ALT FİTİL SACI      | 1        | 172770506   | Part |          |
| 20     | ARKA SERVİS KAPAGI CERÇEYESİ     | 1        | 172770259   | Part |          |
| 21     | SİGORTA BAĞLANTI SOMUNU          | 3        | 172770252   | Part |          |
| 14     | ON DİŞ TRİM BAĞLANTI BRACKETİ    | 2        | 172770165   | Part |          |
| 22     | ROPS DESTEK SACI                 | 2        | 172770542   | Part |          |
| 8      | ARKA TABAN SACI                  | 1        | 172770603   | Part |          |
| 25     | KABİN TABANI ON SOL              | 1        | 172770600   | Part |          |
| 26     | KABİN TABANI ORTA SACI           | 1        | 172770601   | Part |          |
| 27     | TABAN SACI SAG                   | 1        | 172770602   | Part |          |
| 28     | REXROTH JOYS. BAĞLANTISI         | 1        | 172770633   | Part |          |
| 29     | M6 X30 SEKTÖRÜR , DİN 913        | 14       | 10004032    | Part |          |
| 30     | KOLLUK ALT BAĞLANTISI            | 1        | 172770625   | Part |          |
| 31     | KABİN ALT DESTEK SACI            | 1        | 172770626   | Part |          |
| 32     | KABİN BAĞLANTI DESTEK SACI       | 2        | 172770617   | Part |          |
| 33     | ON KABİN TAKOZ BAĞLANTISI        | 2        | 172770618   | Part |          |
| 34     | ON CERÇEVE SACI-1                | 2        | 172770621   | Part |          |
| 35     | ON CERÇEVE SACI-2                | 2        | 172770622   | Part |          |

| GENEL OLCU TOLERANSLARI |  | TARİH                   | ISIM       | IMZA          |
|-------------------------|--|-------------------------|------------|---------------|
| DOĞRUSAL                | ISO 2768-c   | CİZEN                   | 13.07.2012 | Emrah DOĞAN   |
| AÇILAR                  | ISO 2768-c   | KONTROL                 | 13.07.2012 | Seçil ATILLA  |
| KONUM                   | ISO 2768-L   | ONAY                    | 13.07.2012 | Göksele ÖZKIR |
| YÜZEY KALİTESİ          | *  | PARÇA ADI               |            |               |
| YÜZEY İŞLEMİ            | *  | TABAN KAYNAKLI KOMPLESİ |            |               |
| CAD                     | RESİM ÜZERİNDE ELLE DEĞİŞİKLİK YAPILMAZ OLCU ALINMAZ | MALZEME                 |            | MALZEME EBADI |
|                         |  | St 37-2                 |            | *             |

|  |             |
|--|-------------|
| <b>HISARLAR</b>  |             |
| Eskişehir-Bursa yolu 20 km. 26550 Eskişehir / TÜRKİYE<br>Tel : 0 222 411 24 30 Fax : 0 222 411 30 01<br>http://www.hisarlar.com.tr E-mail : hisarlar@hisarlar.com.tr |             |
| RESİM NO   | OLCEK SAYFA |
| 172770026  | 1/10 2/1    |
| BRUT AĞ/ADET   | ADET        |
| *  | 1           |
| A3   |             |

SANKO  
MST 6  
RESİM ÜZERİNDE ELLE DEĞİŞİKLİK YAPILMAZ OLCU ALINMAZ