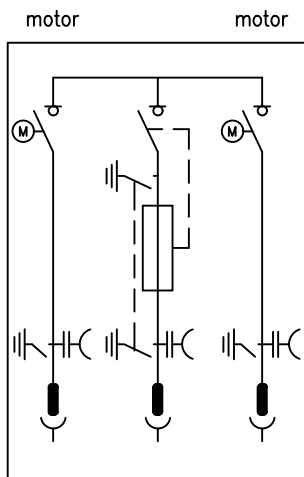
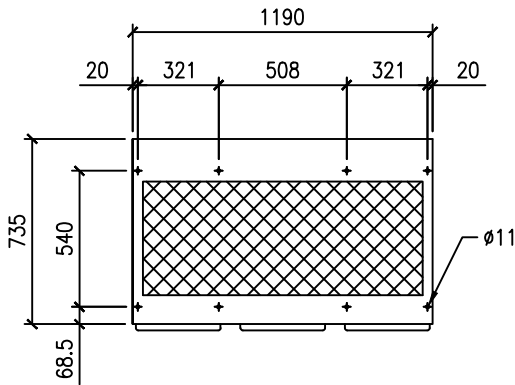
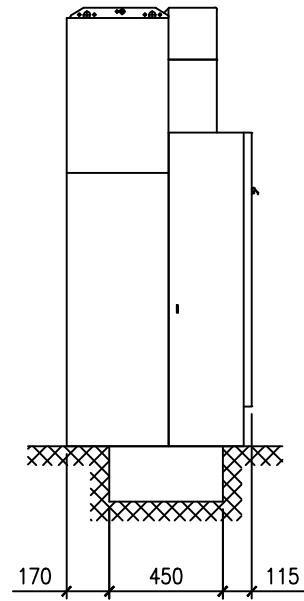
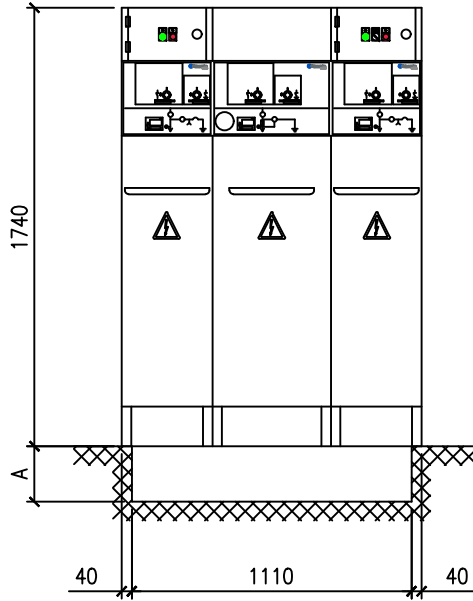


© THIS DOCUMENT IS THE PROPERTY OF ORMAZABAL. ALL RIGHTS ARE RESERVED AND ARE NOT TO BE COPIED OR REPRODUCED WITHOUT ORMAZABAL EXPRESS WRITTEN CONSENT.



PT48BR3

A: CABLE TRENCH DEPTH ACCORDING TO CURVATURE RADIUS.

	ormabloc cgmcosmos 50-32-25 Tender RedNord		P024749	
			Rev. N°: 0	Sheet 7 of 15
	Designed by	I.F.G.	18-02-2025	Scale : 1/30
	Revised by	I.G.M.	18-02-2025	Contract No.
Approved by			<div style="display: flex; align-items: center;"> <div style="font-size: 24pt; font-weight: bold; margin-right: 5px;">A4</div> <div>metric</div> </div>	