



WASTON 华森
M E D I C A L

PROFESSIONAL
RELIABLE

STAPLER CATALOGUE

Health is Important

Introduction



Watson Medical Appliance CO., Ltd is an innovation manufacturer which devotes itself to designing, manufacturing and distributing. Our main products include Orthopedic Implants, Surgical staplers, Thoracic impants, 3D printers and Department of wound care. In strict implementation of ISO standards, all products have passed European Union CE certificates and Surgical Staplers have been approved by FDA510(K).

In the spirit of cooperation, innovation, dream, Watson has been emphasizing collaboration with clinical experts, combining the innovative ideas of clinical experts with the design and production experience of engineers to continuously launching various products.

For example, Three Rows Stapler Series, Intramedullary Nails Series, 3-D Printer Series, Ankel Series and Patent Thoracic Series are recognized by clinician.

We sincerely welcome experts and merchants in all fields to cooperate and develop together and become the most high-quality national medical devices brand.

Catalogue

Endoscopic Stapler	1
Circular Stapler.....	4
PPH Stapler.....	7
Linear Cutter.....	11
Curved Stapler.....	13
Linear Stapler.....	15
Others.....	19

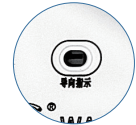
Endoscopic

Disposable Endoscopic Cutter Stapler and Cartridge

- Applied to tissue transection, resection and anastomosis in thoracic surgery, abdominal surgery and gynecologic endoscopy.



The operation is safer by resetting the button manually.



Indicate the direction of the blade walking to ensure safe operation without accident.



Adaptive joint head can swing within 90°.The joint moves flexible and can be operated by single hand conveniently.



3+1 firing model, manual firing back after 3 step of firing, safer and more stable.

Stapler

Product Code	Model	Basic Size ±10
12018345	ECS-45-B(R)	516
12018445	ECS-45-L(R)	616
12018360	ECS-60-B(R)	528
12018460	ECS-60-L(R)	628

Cartridge

Product Code	Model	Effective Length ±2	Color	Staple Height ±2	Staple Qty	Trocar	
12028045	ECZ-45-M	48.5	M Grey	2.0	70	12	
12028145	ECZ-45-W		W White	2.5			
12028245	ECZ-45-B		B Blue	3.5			
12028345	ECZ-45-D		D Gold	3.8			
12028445	ECZ-45-G	60	G Green	4.1	88		12
12028060	ECZ-60-W		W White	2.5			
12028460	ECZ-60-B		B Blue	3.5			
12028560	ECZ-60-D		D Gold	3.8			
12028360	ECZ-60-G		G Green	4.1			

Endoscopic

Disposable Endoscopic Cutter Stapler and Cartridge

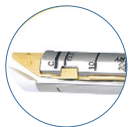
- Applied to the tissue transection, resection and anastomosis in thoracic surgery, abdominal surgery and gynecologic endoscopy.



Manual return knob: It is required when the blade doesn't reposition automatically.



Indication of 3 step firing



A unique slot design in the front, which is convenient for the target organization.



Four kinds of cartridge: white, blue, gold and green, suitable for different thickness of tissue.

Stapler

Product Code	Model	Basic Size ±10
12018060	ECS-60-B	544.5

Cartridge

Product Code	Model	Effective Length ±2	Color	Staple Height ±0.2	Staple Qty	Trocar
12028060	ECZ-60-W	60	W White	2.5	88	12
12028460	ECZ-60-B		B Blue	3.5		
12028560	ECZ-60-D		D Gold	3.8		
12028360	ECZ-60-G		G Green	4.1		

Three Rows Series of Disposable Circular Stapler

- Applied in digestive tract reconstructive surgery for end-to-end ,end-to-side and side-to-side anastomosis.



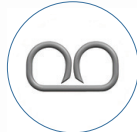
The three row design is more reliable, and the outer staple is 0.2mm lower than the inner staple to ensure good blood supply.



Three-rows of titanium staples can close the tissue effectively.



Fool-Firing Position



B-type staple with slightly incurved feet make the anastomotic a higher tensile strength.



Product Code	Model	Suture Rows	Outer Diameter	Cutting Diameter	Staple Height	Staple Width	Staple Qty	Closure Height
12012021	IIIROWS-21-C	3	21.2	12.4	4.4	3.7	27	2
12012024	IIIROWS-24-C		24.1	15.0	4.4	3.4	33	
12012025	IIIROWS-25-C		25.1	16.4	4.4	3.8	33	
12012026	IIIROWS-26-C		26.1	17.0	4.4	3.8	33	
12012029	IIIROWS-29-D		29.6	20.3	4.7	3.9	36	
12012031	IIIROWS-31-D		31.0	21.0	4.7	3.9	36	
12012032	IIIROWS-32-E		32.1	22.0	4.9	3.9	42	

WHY Series of Disposable Circular Stapler

- Applied in the whole digestive tract for end-to-end, end-to-side anastomose.
- Large cutting diameter
- Adjustable thickness of tissue, meet all kinds need
- Quick open and close mechanism make it more comfortable to use
- It is convenient to exit safely after firing with no lip of knife bunting seat.



Product Code	Model	Outer Diameter	Cutting Diameter	Staple Height	Staple Width	Staple Qty
12001017	WHY-17-C	17.6	10.0	4.5	3.2	16
12001019	WHY-19-C	19.6	11.8	4.5	4.0	16
12001021	WHY-21-C	21.6	12.4	4.5	4.0	16
12001024	WHY-24-C	24.3	15.0	4.5	4.0	18
12001025	WHY-25-C	25.5	16.4	4.5	4.0	20
12001026	WHY-26-C	26.0	17.0	4.5	4.0	20
12001029	WHY-29-D	29.7	20.7	4.8	4.0	24
12001032	WHY-32-E	31.9	23.1	5.0	4.0	26

WHD Series of Resuable Circular Stapler

- Applied in the whole digestive tract for end-to-end,end-to-side anastomose.



Stapler

Product Code
12002025

Cartridge

Product Code	Model	Staple Height
12021025	WZ-25-C	4.5
12021027	WZ-27-C	4.5
12021029	WZ-29-D	4.8
12021032	WZ-32-E	5.8

Three Rows Series of Disposable PPH Stapler

- Applied to anal hemorrhoidectomy and excision of rectal prolapse.



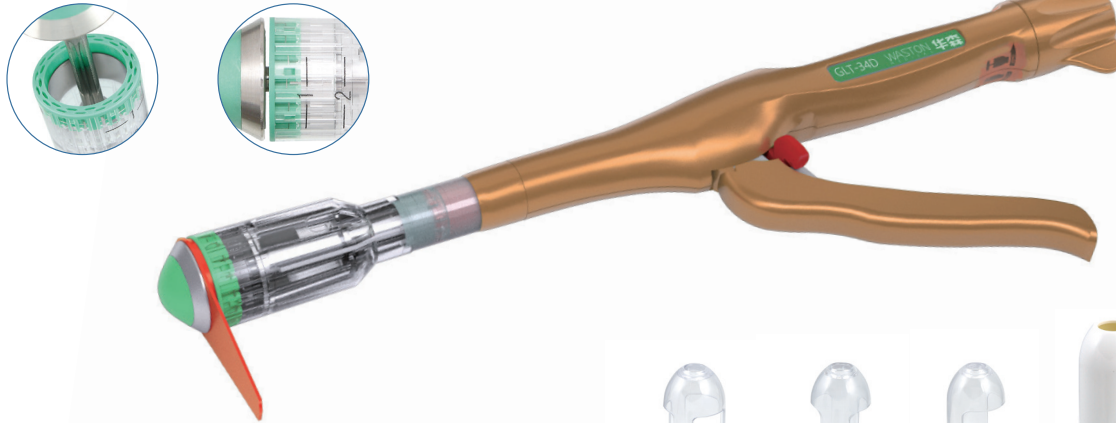
Patent three rows design, better effect of hemostasis, reduce the bleeding problem.

Fool-Firing Position, make safer surgery

Product Code	Model	Suture Rows	Outside Diameter	Cutting Diameter	Staple Height	Staple width	Staple Qty	Closure Height
12015234	IIIROWS L-34-C	3	33.5	23.1	3.8	3.8	48	0.75-1.6
12015336	IIIROWS L-36-D		35.0	24.8	4.3	3.9	48	0.75-1.6

GLT Series of Disposable Visible PPH Stapler

- Suitable for resection of anal hemorrhoids and internal rectal prolapse.



GMJ Series Of Disposable Anoscope

- Suitable for examination of rectum, anus and other lesions.



Triple window mirror Core



Double Pipe



Single Pipe



Mirror Core

Product Code	Model
12053001	GMJ

Product Code	Model	Outside Diameter	Staple Height	Staple Width	Staple Qty
12016134	GLT-34-D	34	4.3	4	32

GHY Series of Disposable PPH Stapler

- Suitable for anal hemorrhoidectomy, rectal prolapse, etc
- Large cartridge housing capacity can accommodate even extensive prolapses



Circular Anal Dilator



Purse String Anoscope

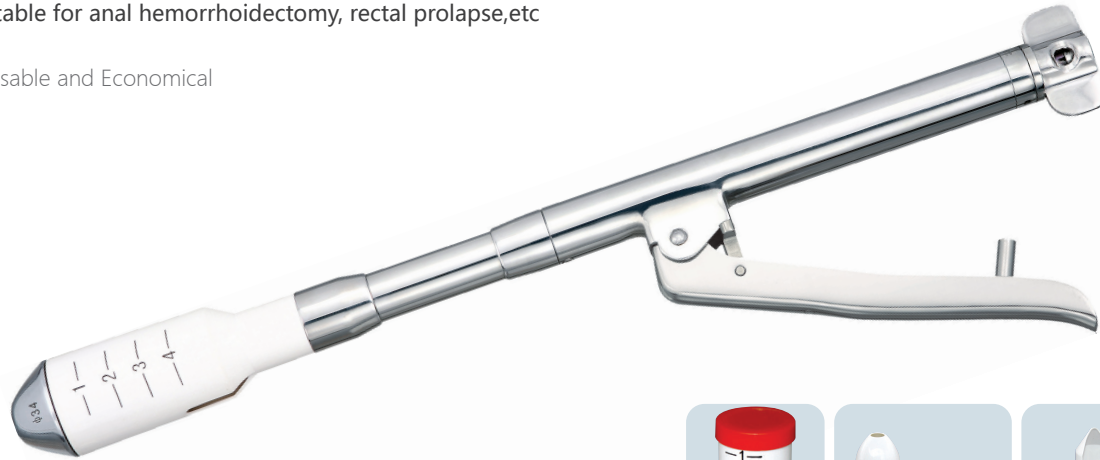


Suture Threader

Product Code	Model	Outer Diameter	Staple Height	Staple Width	Stapler Qty
12005334	GHYL-34-D	33.5	4.2	4	32

GHD Series of Reusable PPH and Disposable Cartridge

- Suitable for anal hemorrhoidectomy, rectal prolapse, etc
- Reusable and Economical



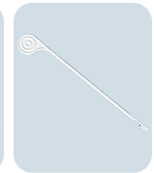
Cartridge



Circular Anal Dialator



Purse String Anoscope



Suture Threader

Stapler

Product Code	Model
12006034	GHD-34-C
12006134	GHD-34-D

Cartridge

Product Code	Model	Color	Outer Diameter	Staple Height	Staple Qty
12023034	GZ-34-C	Blue	33.5	3.8	28
12023134	GZ-34-D	Red	33.5	4.3	28

QHS Series of Disposable Linear Cutter and Cartridge

Linear Cutter

- Applied to dissection, resection and suture of the digestive tract tissues of the stomach and intestines.



Stapler

Product Code	Model	Basic Size	Cutting Length ± 2	Closure Height ± 0.2
12007600	BLC6038	255	60	1.5
12007601	BLC6048	255	60	2.0
12007800	BLC8038	278	80	1.5
12007801	BLC8048	278	80	2.0
12007100	BLC10038	315	100	1.5
12007101	BLC10048	315	100	2.0

Cartridge

Product Code	Model	Color	Staple Height ± 0.2	Staple Qty
12026600	BLC6038L	Blue	3.8	64
12026601	BLC6048L	Green	4.8	64
12026800	BLC8038L	Blue	3.8	84
12026801	BLC8048L	Green	4.8	84
12026100	BLC10038L	Blue	3.8	104
12026101	BLC10048L	Green	4.8	104

OHD Series of Disposable Linear Cutter and Cartridge

Linear Cutter

- Applied to the dissection, resection and suture of the digestive tract tissues of the stomach and intestines.



Stapler

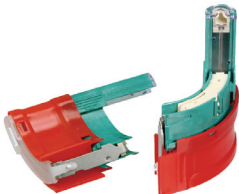
Product Code	Model	Basic Size	Closure Height	Staple Qty
12007560	QHD-60-C	275	1.0	64
12007580	QHD-80-C	305	1.5	88
12007780	QHD-80-D	305	2.0	88
12007510	QHD-100-D	320	2.0	100

Cartridge

Product Code	Model	Color	Staple Height
12026260	QZD-60-C	Blue	3.8
12026280	QZD-80-C	Blue	3.8
12026380	QZD-80-D	Yellow	4.3
12026210	QZD-100-D	Yellow	4.3

HQY Series of Disposable Curved Stapler and Cartridge

- Suitable for low anterior resection of rectal surgery.
- It can complete 40mm suture within 30mm space and go deep into low position of pelvis. Grately improves the rate of anal preservation.
- Operation procedure is convenient with cutting and anastomosis completed in one step.
- Tissue positioning needle is designed to prevent spillover of tissue and promise safety.



Stapler

Product Code	Model
12009045	HQY-45-D

Cartridge

Product Code	Model	Effective Length	Staple Height	Staple Width	Staple Qty
12025045	HQZ-45-D	40	4.6	4	46

HQY Series of Disposable Curved Stapler and Cartridge

- Applied to anastomosis and resection of anal sphincter organizations and mucosa part.
- Selective resection of the rectal mucosa to protect anal and rectal function.



Stapler

Product Code	Model
12009030	HQY-30-D

Cartridge

Product Code	Model	Effective Length	Staple Height	Staple Width	Staple Qty
12025030	HQZ-30-D	20	4.6	4	21

Three Rows Series of Disposable Auto Linear Stapler and Cartridge

- Applied to closure of digestive tract tissue residue end or incision.
- Unique three rows design, Unparalleled hemostatic effect, No need to reinforce the suture unless special cases
- Single-hand positioning, Prevent tissue spillover, Easy and safe



Stapler

Product Code	Model	Suture Row	Effective Length ± 5
12017130	IIIH-30-D	3	30
12017145	IIIH-45-D		45
12017160	IIIH-60-D		60
12017190	IIIH-90-D		90

Cartridge

Product Code	Model	Staple Height	Staple Width	Closure Height	Staple Qty
12027130	IIIH-30-D	4.5	27	1.5-2.0	17
12027145	IIIH-45-D		33		26
12027160	IIIH-60-D		33		35
12027190	IIIH-90-D		33		53

ZHY Series of Disposable Auto Linear Stapler

- Applied to the closure of the stump or incision of digestive tract.



Stapler

Product Code	Model
12008030	ZHY-30-D
12008045	ZHY-45-D
12008060	ZHY-60-D
12008090	ZHY-90-D

Cartridge

Product Code	Model	Staple Height	Effective Length	Staple Qty
12008930	ZZ-30-D	4.5	31.5	11
12008945	ZZ-45-D		42.5	15
12008960	ZZ-60-D		59.0	21
12008990	ZZ-90-D		86.5	31

FHY Series of Disposable Linear Stapler and Cartridge

- Applied in the whole digestive tract for transection and resection of internal tissue.
- Four specifications suitable for different anastomosis length.
- Closure height of staple can be adjusted according to thickness of tissue.
- With one spare cartridge prepared.



Product Code	Model	Staple Height	Staple Width	Effective Length	Staple Qty
12003030	FHY-30-D	4.5	4	31.5	11
12003045	FHY-45-D			42.5	15
12003060	FHY-60-D			53.5	19
12003090	FHY-90-D			92.0	33

FHD Series of Reusable Linear Stapler and Disposable Cartridge

- Applied in the whole digestive tract for transection and resection of internal tissue.



Stapler

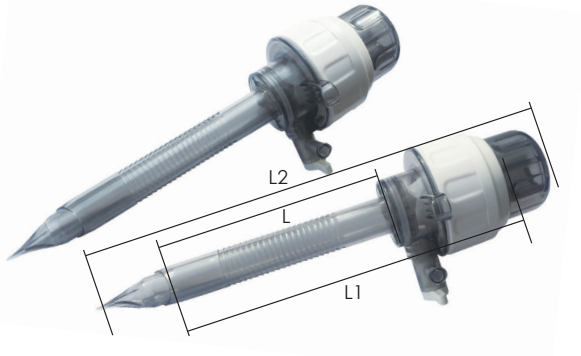
Product Code	Model
12004030	FHD-30D
12004060	FHD-60D
12004090	FHD-90D

Cartridge

Product Code	Model	Staple Height	Staple Width	Effective Length	Staple Qty
12022030	FZ-30-D	4.5	4	34	11
12022060	FZ-60-D	4.5		55	19
12022090	FZ-90-D	4.5		94	33

Disposable Trocar

- Suitable for puncture of laparoscopic surgery, establishment of equipment access.
- Excellent air tightness
- Good abdominal wall fixing force, Deep casing thread
- Various specifications meet various operation requirements



Product Code	Model	Paracentesis External Diameter ± 1	Trocar Diameter ± 1	Trocar Length ± 5	Trocar Length1 ± 5	Paracentesis Length2 ± 5
12030110	CCQ 5/100	5.5	6			170
12030210	CCQ 10/100	10.3	11			
12030310	CCQ 12/100	12.8	13	100	140	180
12030410	CCQ 15/100	15.3	16			

Disposable Auto-Purse String Forceps

- Applied to string the suture purse during surgery.



Product Code	Model	Effective Length ± 2	Staple Qty
12011045	HFY-45	47	18
12011065	HFY-65	68	28

HBQ Series Purse Pliers



Product Code	Model	Length	Tooth Qty
12051007	HBQ-7	42	7
12051008	HBQ-8	48	8
12051009	HBQ-9	55	9

Disposable Circumcision Stapler

- Suitable for clinical circumcision and suture.
- Replace traditional circumcision
- Simple, standard, safe and fast operation (3-5min)
- No surgery, automatic suture
- Light edema, less bleeding
- No need to return to hospital for outpatient surgery



Product Code	Model	Annular Cutter Diameter ± 2	Staple Height ± 0.5	Staple Qty
12037212	BQS-12	14.8	3.5	10
12037215	BQS-15	17.8		12
12037218	BQS-18	21.2		14
12037222	BQS-22	25.2		16
12037230	BQS-26	29.2		19
12037232	BQS-30	33.4		20
12037234	BQS-32	35.4		24
12037226	BQS-34	37.4		25
12037236	BQS-36	39.4		26

Disposable Anorectal Ligature

- Applied to ligation for internal hemorrhoid, mixed hemorrhoid and rectal polyps.



Product Code	Model
2034001	HST

Disposable Skin Stapler

- Applied to skin suture for all kinds of trauma and surgical incision.



Product Code	Model	Staple Qty
12001035	PHY-35-W	35

More Professional More Effective

Your Reliable Waston

WASTON 华森
M E D I C A L

Changzhou Waston Medical Appliance Co.,Ltd
9Xihu Road,Wujin Hi-Tech Industry Zone, Jiangsu Province,China

TEL:+86-519-89888852

Email:info@wastonmed.com

www.wastonmed.com

CE 0123