

NexiusZoom

(EVO) & ESD

HIGHLIGHTS

- Binocular and trinocular heads with HWF 10x/22 mm (NexiusZoom) or HWF 10x/23 mm eyepieces (NexiusZoom EVO)
- Zoom ratio 1 : 6.7, 6.7x to 45x or 1 : 8.4, 6.5x to 55x
- Ergonomic stands
- Double 3 W LED illumination
- Configurations up to 220x magnification
- Large working distance (WD)
- ESD safe models available
- 10 years warranty

TECHNICAL SPECIFICATIONS

EYEPIECES

The standard NexiusZoom is supplied with a pair of HWF 10x/22 mm eyepieces.

The NexiusZoom EVO is supplied with a pair of HWF 10x/23 mm eyepieces

HEAD

Binocular or trinocular heads with 45° inclined tubes. Both eyepieces with ± 5 diopter adjustments. Interpupillary distance adjustable between 54 mm and 75 mm. Trinocular head is supplied with a fixed light path beamsplitter (50:50)

The NexiusZoom EVO models are now equipped with click-stops

OBJECTIVES

The standard NexiusZoom is supplied with a 1:6.7 plan achromatic zoom objective with 0.67x to 4.5x magnifications, a field of view from 33 mm to 4.9 mm. Working distance 110 mm

The NexiusZoom EVO is supplied with a 1:8.4 plan achromatic zoom objective with 0.65x to 5.5x magnifications, a field of view from 35.4 mm to 4.2 mm. WD 110 mm

Auxiliary lenses 0.3x, 0.4x, 0.5x, 0.75x, 1.5x and 2.0x are also available for the standard NexiusZoom and for the NexiusZoom EVO

All optics are anti-fungus treated and anti-reflection coated for maximum light throughput



APL (ANTIMICROBIAL PROTECTION LAYER)

Using the same technology already used extensively throughout the healthcare environment in wall coatings, patient lighting, air pressure stabilization and suction liners, APL prevents the growth of unwanted microbes that can cause degradation, discoloration, staining or odors of the Euromex microscopes



● NZ.1903-S

NZ.1903-S / NZ.1703-S	339 (h) x 256 (w) x 311 mm (d) 5.1 kg
NZ.1903-P / NZ.1703-P	299 (h) x 256 (w) x 311 mm (d) 5.2 kg

For weight of other products see table

POLARIZATION

The NexiusZoom can be supplied with an optional 360° rotatable round stage with built-in polarization filter and/or an optional rotatable analyzer filter in mount to be screwed under the objective



● NexiusZoom EVO NZ.5313

● NZ.5302 / NZ.5303

TECHNICAL SPECIFICATIONS

STANDS

- Ergonomic pillar or rack & pinion stand with 3W incident and 3W transmitted LED illuminations (-P and -S stands)
- Ergonomic pillar stand with two 3W goose-neck type incident LED illuminations on each side and a 3W transmitted LED illumination (-PG stand)
- Ergonomic pillar stand with rotating mirror and 3W LED transmitted and incident illuminations (-M stand)
- Ergonomic designed universal or boom stands, without illumination (-U, -B and BC stands)
- Articulated arm stand for table mounting or with heavy desktop stand, both without head holder, without illumination (-A and -AP stands)
- Lightweight articulated arm stand, with head holder, without illumination (NZ.9047)

All pillar and rack & pinion stands are supplied with two object clamps. Alloy metal cast, hardened coating

STAGE

180 x 155mm X-Y mechanical stage with 76 x 55mm translation stage and transparent glass plate for NexiusZoom, fixed on stage of microscope. Only available with new microscopes (due to fixing), so it has to be ordered with the purchase of a microscope (See picture: NZ.9505)

ILLUMINATION

3 W transmitted and incident LED illuminators with internal power supply 100-240 V. Both illuminators can be used simultaneously and the light intensities can be adjusted separately. The universal single or double arm stands and the articulated stands can be equipped with the ring illuminators LE.1974 and LE.1973 with respectively 72 or 144 power LEDs controlled in segments, ideal for creating or lifting shades



● NZ.9505

ESD SAFE MICROSCOPES

For inspection and assembly applications. Electrostatic discharge (ESD) is the unwanted sudden flow of electricity between two electrically charged objects. ESD can cause a range of harmful effects as well as permanent damage to solid state electronics components

Euromex therefore introduces electrostatic protected microscopes in the NexiusZoom range. The body and stand of the microscope are coated with a special static dissipative paint eliminating harmful electrostatic discharges making the microscopes suitable for all static-sensitive environments

PACKAGE CONTENT

Supplied with power cord, a pair of eyecups, dust cover, a spare fuse and user manual. All packed in a polystyrene box



● NZ.9047 with NexiusZoom head

MODELS

NEXIUSZOOM 0.67- 4.5 (WF 10X/22MM)

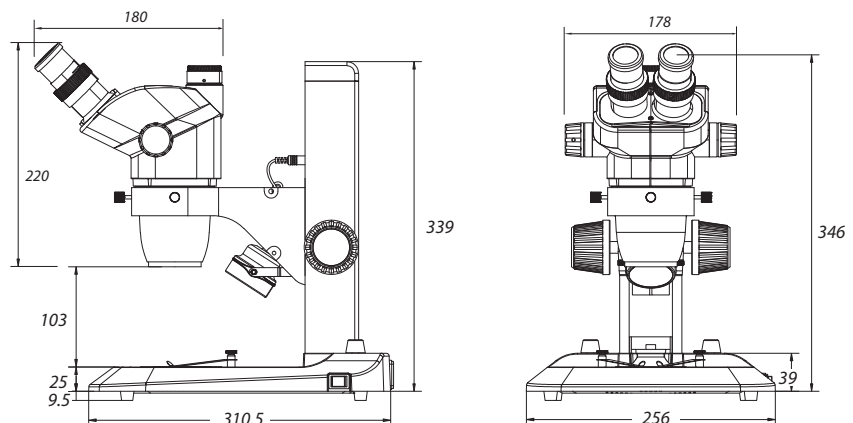
MODELS	Bino	Trino	Pillar stand (-P)	Rack & pinion stand (-S)	Universal stand (-U)	Boom stand on heavy base plate (-B)	Boom stand on table clamp (-BC)	Articulated arm stand on table clamp (-A)	Articulated arm stand on heavy base plate (-AP)	Gooseneck dual LED (-PG)	Mirror LED (-M)	Weight (kg)
NZ.1902-P	•		•									5.0
NZ.1902-PG	•		•							•		5.1
NZ.1902-M	•		•								•	4.9
NZ.1902-S	•			•								4.9
NZ.1902-U	•				•							15.6
NZ.1902-B	•					•						22.1
NZ.1902-BC	•						•					10.5
NZ.1902-A	•							•				8.6
NZ.1902-AP	•								•			20.7
NZ.1903-P		•	•									5.2
NZ.1903-PG		•	•							•		5.3
NZ.1903-M		•	•								•	5.1
NZ.1903-S		•		•								5.1
NZ.1903-U		•			•							15.7
NZ.1903-B		•				•						22.2
NZ.1903-BC		•					•					10.6
NZ.1903-A		•						•				8.7
NZ.1903-AP		•							•			20.8

NEXIUSZOOM EVO 0.65-5.5 (WF 10X/23MM)

MODELS	Bino	Trino	Pillar stand (-P)	Rack & pinion stand (-S)	Universal stand (-U)	Boom stand on base plate (-B)	Boom stand on table clamp (-BC)	Articulated arm stand on table clamp (-A)	Articulated arm stand on base plate (-AP)	Gooseneck dual LED (-PG)	Mirror LED (-M)	Weight (kg)
NZ.1702-P	•		•									5.0
NZ.1702-PG	•		•							•		5.1
NZ.1702-M	•		•								•	4.9
NZ.1702-S	•			•								4.9
NZ.1702-U	•				•							15.6
NZ.1702-B	•					•						22.1
NZ.1702-BC	•						•					10.5
NZ.1702-A	•							•				8.6
NZ.1702-AP	•								•			20.7
NZ.1703-P		•	•									5.2
NZ.1703-PG		•	•							•		5.3
NZ.1703-M		•	•								•	5.1
NZ.1703-S		•		•								5.1
NZ.1703-U		•			•							15.7
NZ.1703-B		•				•						22.2
NZ.1703-BC		•					•					10.6
NZ.1703-A		•						•				8.7
NZ.1703-AP		•							•			20.8

The NexiusZoom EVO models are now equipped with click-stops

DIMENSIONS





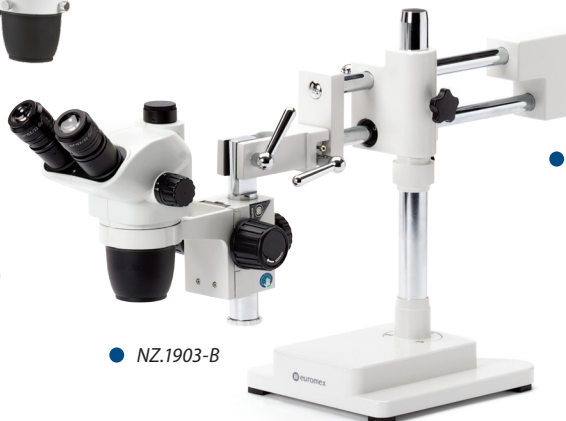
● NZ.1902-P



● NZ.1902-U



● NZ.1902-BC



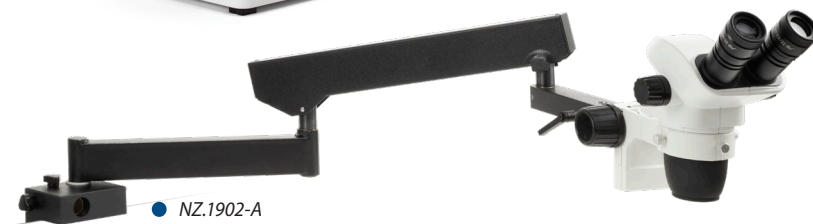
● NZ.1903-B



● NZ.1902-PG



● NZ.1902-M



● NZ.1902-A



● NZ.1902-AP



● NZ.1903-S



● NZ.1903-S

MAGNIFICATIONS

NexiusZoom standard & ESD: Working distance and field of view with standard HWF 10x / 22 High Wide Field eyepieces

Zoom indication	Auxiliary lens 0.3x WD 287 mm		Auxiliary lens 0.4x WD 220 mm		Auxiliary lens 0.5x WD 183 mm		Auxiliary lens 0.75x WD 105 mm		Objective 1x (standard) WD 110 mm		Auxiliary lens 1.5x WD 53 mm		Auxiliary lens 2x WD 34 mm	
	Total mag.	FoV in mm	Total mag.	FoV in mm	Total mag.	FoV in mm	Total mag.	FoV in mm	Total mag.	FoV in mm	Total mag.	FoV in mm	Total mag.	FoV in mm
0.67	2.0	109.5	2.7	82.1	3.35	65.7	5.0	43.8	6.7	32.8	10.1	21.9	13.4	16.4
0.7	2.1	104.8	2.8	78.6	3.5	62.9	5.3	41.9	7.0	31.4	10.5	21.0	14.0	15.7
0.8	2.4	91.7	3.2	68.8	4.0	55.0	6.0	36.7	8.0	27.5	12.0	18.3	16.0	13.8
1.0	3.0	73.3	4.0	55.0	5.0	44.0	7.5	29.3	10.0	22.0	15.0	14.7	20.0	11.0
1.5	4.5	48.9	6.0	36.7	7.5	29.3	11.3	19.6	15.0	14.7	22.5	9.8	30.0	7.3
2.0	6.0	36.7	8.0	27.5	10.0	22.0	15.0	14.7	20.0	11.0	30.0	7.3	40.0	5.5
3.0	9.0	24.4	12.0	18.3	15.0	14.7	22.5	9.8	30.0	7.3	45.0	4.9	60.0	3.7
4.0	12.0	18.3	16.0	13.8	20.0	11.0	30.0	7.3	40.0	5.5	60.0	3.7	80.0	2.8
4.5	13.5	16.3	18.0	12.2	22.5	9.8	33.8	6.5	45.0	4.9	67.5	3.3	90.0	2.4

NexiusZoom EVO: working distance and field of view with standard High Wide Field (HWF) 10x / 23 eyepieces

Zoom indication	Auxiliary lens 0.3x WD 278 mm		Auxiliary lens 0.4x WD 220 mm		Auxiliary lens 0.5x WD 183 mm		Auxiliary lens 0.75x WD 105 mm		Objective 1x (standard) WD 110 mm		Auxiliary lens 1.5x WD 53 mm		Auxiliary lens 2x WD 34 mm	
	Total mag.	FoV in mm	Total mag.	FoV in mm	Total mag.	FoV in mm	Total mag.	FoV in mm	Total mag.	FoV in mm	Total mag.	FoV in mm	Total mag.	FoV in mm
0.65	1.95	117.9	2.6	88.5	3.25	70.8	4.9	47.2	6.5	35.4	9.8	23.6	13.0	17.7
1.0	3.0	76.7	4.0	57.5	5.0	46.0	7.5	30.7	10.0	23.0	15.0	15.3	20.0	11.5
1.5	4.5	51.1	6.0	38.3	7.5	30.7	11.3	20.4	15.0	15.3	22.5	10.2	30.0	7.7
2.0	6.0	38.3	8.0	28.8	10.0	23.0	15.0	15.3	20.0	11.5	30.0	7.7	40.0	5.8
2.5	7.5	30.7	10.0	23.0	12.5	18.4	18.8	12.3	25.0	9.2	37.5	6.1	50.0	4.6
3.0	9.0	25.6	12.0	19.2	15.0	15.3	22.5	10.2	30.0	7.7	45.0	5.1	60.0	3.8
3.5	10.5	21.9	14.0	16.4	17.5	13.1	26.3	8.8	35.0	6.6	52.5	4.4	70.0	3.3
4.0	12.0	19.2	16.0	14.4	20.0	11.5	30.0	7.7	40.0	5.8	60.0	3.8	80.0	2.9
4.5	13.5	17.0	18.0	12.8	22.5	10.2	33.8	6.8	45.0	5.1	67.5	3.4	90.0	2.6
5.0	15.0	15.3	20.0	11.5	25.0	9.2	37.5	6.1	50.0	4.6	75.0	3.1	100.0	2.3
5.5	16.5	13.9	22.0	10.5	27.5	8.4	41.3	5.6	55.0	4.2	82.5	2.8	110.0	2.1

WD = working distance, FoV = Field of view, Total mag. = total magnification



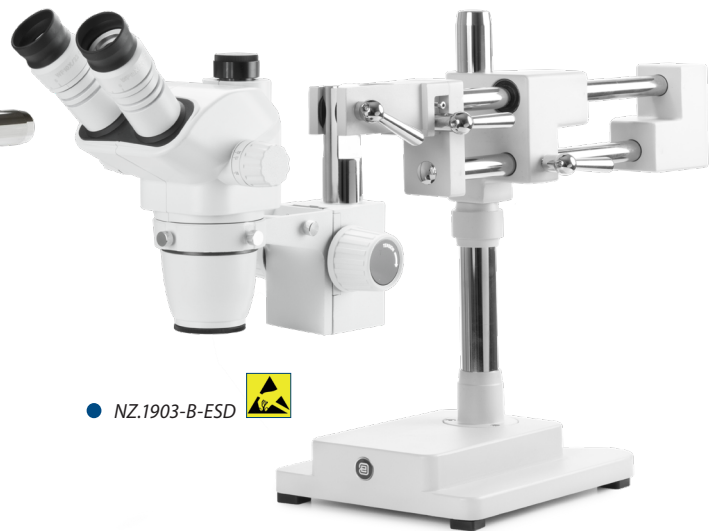
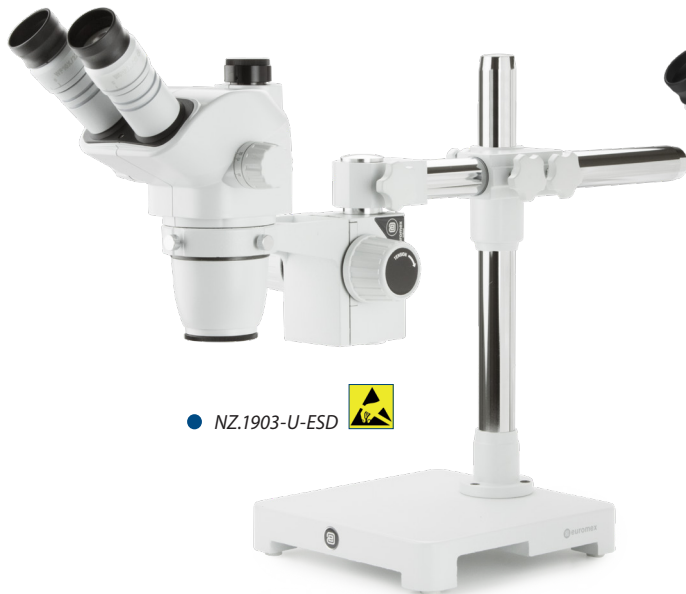
COMPATIBILITY TABLE AUXILIARY LENSES

MODELS	0.3x Magnification	0.4x Magnification	0.5x Magnification	0.75x Magnification	1.5x Magnification	2x Magnification
NZ.9000/9005			•	•	•	•
NexiusZoom-P, -M, -PG			•	•	•	•
NexiusZoom-P-ESD			•	•	•	•
NexiusZoom-S				•	•	
NexiusZoom-S-ESD				•	•	
NexiusZoom-A, -AP	•	•	•	•	•	•
NexiusZoom-U, -B, -BC	•	•	•	•	•	•
NexiusZoom-U-ESD, -B-ESD	•	•	•	•	•	•

NexiusZoom ESD

ESD SAFE

MODELS	Binocular	Trinocular	Pillar stand (-P)	Rack & pinion stand (-S)	Universal stand (-U)	Boom stand (-B)	Weight (kg)
NZ.1902-P-ESD	•		•				5.0
NZ.1902-S-ESD	•			•			4.9
NZ.1902-U-ESD	•				•		15.6
NZ.1902-B-ESD	•					•	22.1
NZ.1903-P-ESD		•	•				5.3
NZ.1903-S-ESD		•		•			5.1
NZ.1903-U-ESD		•			•		15.7
NZ.1903-B-ESD		•				•	22.2



ACCESSORIES AND SPARE PARTS

HEADS & EYEPIECES

- NZ.5302** NZ binocular head 0.67-4.5x without head holder
- NZ.5303** NZ trinocular head 0.67-4.5x without head holder
- NZ.5312** NZ EVO binocular head 0.65-5.5x without head holder
- NZ.5313** NZ EVO trinocular head 0.65-5.5x without head holder
- NZ.6010** Pair of HWF 10x/22 mm eyepieces
- NZ.6010-C** HWF 10x/22 mm eyepiece only with crosshairs
- NZ.6010-CM** HWF 10x/22 mm eyepiece only with 10/100 micrometer and crosshairs
- NZ.6015** Pair of HWF 15x/16 mm eyepieces for NZ
- NZ.6020** Pair of HWF 20x/12 mm eyepieces for NZ
- NZ.6099** Pair of eyecups for NZ
- NZ.6110** HWF 10x/22 mm eyepiece with crosshairs and 10/100 micrometer for NZ
- NZ.6210** Pair of HWF 10x/23 mm eyepieces for NZ EVO
- NZ.6210-C** HWF 10x/23 mm eyepiece only with crosshairs for NZ EVO
- NZ.6210-CM** HWF 10x/23 mm eyepiece only with 10/100 micrometer and crosshairs for NZ EVO

AUXILIARY LENSES*

- NZ.8903** Additional 0.3x lens for NZ. WD 287 mm. Only suitable for A, AP, U, B and BC stands
- NZ.8904** Additional 0.4x lens for NZ. WD 220 mm. Only suitable for A, AP, U, B and BC stands
- NZ.8905** Additional 0.5x lens for NZ. WD 183 mm. Not suitable for S stands
- NZ.8907** Additional 0.75x lens for NZ. WD 105 mm
- NZ.8915** Additional 1.5x lens for NZ. WD 53 mm
- NZ.8920** Additional 2.0 lens for NZ. WD 34 mm. Not suitable for S stands
- NZ.8950** Protection glass window for NZ

* see 'COMPATIBILITY TABLE AUXILIARY LENSES' on page 4

STANDS

- NZ.9000** Ergo pillar stand without illumination. Height 35 cm
- NZ.9005** Ergo pillar stand with adjustable transmitted 3W LED illumination. Height 35 cm
- NZ.9010** Ergo rack & pinion stand with incident and transmitted 3W LED illuminators
- NZ.9015** Ergo pillar stand with incident and transmitted 3W LED illuminators
- NZ.9018** Ergonomically designed pillar stand with two 3W gooseneck type incident LED illuminations on each side and a 3W transmitted LED illumination
- NZ.9020** Universal one-arm stand without NZ head holder
- NZ.9025** Black articulated stand with table clamp without NZ head holder
- NZ.9027** Black articulated stand with heavy baseplate without NZ head holder
- NZ.9030** Universal double-arm boom stand without NZ head holder
- NZ.9032** Universal two-arm stand with table clamp without NZ head holder
- NZ.9042** Stand with rotating mirror and indirect transmitted LED illumination
- NZ.9047** Lightweight articulated arm stand, with head holder, without illumination

HEADHOLDERS

- NZ.9081** Head 76 mm holder for stereo head on articulated arm stand NZ.9025 and NZ.9027
- NZ.9090** NexiusZoom head holder, suitable for NZ.9000/9005/9015/9017/9020/9030 stands
- NZ.9095-ADD** NZ head holder, ADD-ON, with fine and coarse adjustment. For NZ.9000/9005/9015/9018/9020/9030/9032 and NZ.9042 stands. Only available with new microscopes



ILLUMINATION

- LE.1974** Ring illuminator with 72 LEDs with adjustable light intensity. External power supply 110-240 Vac / 12 Vdc (50/60 Hz). With segment controller. Brightness of 20,000 Lux at 100 mm distance and color temperature of 6500 K. Mounting for stereo head with diameter from 25 to 61 mm
- LE.1973** Ring illuminator with 144 LEDs with adjustable light intensity. External power supply 100-240 Vac / 12 Vdc (50/60 Hz). With segment controller. Brightness of 23,000 Lux at 100 mm distance and color temperature of 6500 K. Mounting for stereo head with diameter from 25 to 61 mm
- LE.5208** Multifunctional dual LED adjustable light source with Gooseneck flexible. Equipped with two flexible gooseneck arms with LED illuminator
- LE.5210** Euromex cold light illuminator EK-1, 100 W halogen. 110 V and 230 V models available
- LE.5211** Euromex cold light illuminator, 150 W halogen, 110 V and 230 V models available
- LE.5211-LED** Euromex cold light illuminator LED, 30W high power LED



ACCESSORIES AND SPARE PARTS

- LE.5212** Euromex illumination station with two independently controlled goosenecks, a ring light and a transmitted stage illuminator (see photo's on this page)
- LE.5214** Dual arm light conductor, Gooseneck self-sustaining, 50 cm long, 4 mm diameter core
- LE.5215** Triple arm light conductor, Gooseneck self-sustaining, 50 cm long, 4 mm diameter core
- LE.5222** Focusing head suitable for focusing lens LE.5214 and LE.5215 needs LE.5224
- LE.5224** Aspherical focusing lens for mounting in LE.5222
- LE.5260** Interchangeable high power (standard) white 6500K light guide for NZ.9018/LE.5207/LE.5212, 1 pc
- LE.5261** Interchangeable high power 365nm flexible arm for NZ.9018/LE.5207/LE.5212, 1 pc
- LE.5262** Interchangeable high power 395nm flexible arm for NZ.9018/LE.5207/LE.5212, 1 pc
- LE.5263** Interchangeable high power 420nm flexible arm for NZ.9018/LE.5207/LE.5212, 1 pc
- LE.5264** Polarization filter, screw on type for Interchangeable self-sustaining gooseneck-type guides for NZ.9018, LE.5207 or LE.5212, 1 pc
- NZ.9850** C-mount adapter with 0.5x lens for 1/2 inch cameras
- NZ.9950** Standard plexi-glass object plate, opaque, with black border
- NZ.9956** Pair of object stage plates (black/white), Ø 90 mm
- NZ.9958** Standard glass object plate, opaque, Ø 90 mm
- NZ.9983-R** 3W LED replacement unit for NZ, incident illumination
- NZ.9983** 3 W LED replacement unit for NZ, transmitted illumination
- AE.5130** Universal SLR adapter with built-in 2x lens for standard 23.2 mm tube. Needs T2 adapter
- AE.5025** T2 ring for Nikon D SLR digital camera
- AE.5040** T2 ring for Canon EOS SLR digital camera
- AE.5168-NZ** Heating stage for NZ microscope stage
- AE.9916** Euromex dust cover extra large (50 x 68 cm)

NZ = NexusZoom

More illumination options on www.euromex.com

STAGES

- NZ.9505** Mechanical 180 x 155 mm X-Y stage with 75 x 55 mm translation and transparent glass plate
- NZ.9524** 360° rotatable round stage with built-in polarization filter for NZ
- NZ.9525** 360° rotatable analyzer in mount to be screwed under head of NZ
- AE.1960** Round positioning table

MISCELLANEOUS

- AE.1112** Micrometer 76 x 26 mm slide, 50 mm/500 divisions, 100 µm per division
- PB.5245** Lens cleaning paper, 100 sheets per pack
- PB.5274** Iso propyl alcohol 99%, 200 ml
- PB.5275** Cleaning kit: lens fluid, lint free lens tissue/paper, brush, air blower, cotton swabs
- PB.5276** Microscope maintenance and servicing kit, 16pcs: cleaning brush, 6 pcs screwdriver set, air blower, 3 pcs Allen key 1.5, 2, 2.5 mm, lens cleaning fluid 20 ml, cleaning cloth 140 x 140 mm, 100 pcs Lens tissue sheets, tube of maintenance grease, 10 ml bottle of oil, packed in a toolbox
- NZ.9520** Polarization kit for NZ: 360° rotatable round stage with built-in polarization filter (NZ.9524) + analyzer in mount to be screwed under head (NZ.9525)
- NZ.9040** Darkfield attachment for NZ
- NZ.9045** Fall protection ring for NexusZoom pillars. Note: the one- and double arm stands are as a standard supplied with this ring
- NZ.9570** Pair object clamps for standard stage
- NZ.9572** Adjustable GEM object clamp for P, PL and S stand of NZ



● The LE.5212 in two different configurations



www.euromex.com



CMEX-20 PRO

USB-3.0 HIGH SPEED CAMERA

DC.20000-PRO

HIGHLIGHTS

- High speed camera
- 20 Mpix CMOS color USB 3.0 camera
- 1/1.8" sensor, 5120 x 3840 pixels
- High signal/noise ratio
- USB 3.0 interface (USB 2.0 compatible)
- Perfect color-reproduction

TECHNICAL SPECIFICATIONS

Sensor	CMOS 1/1.8 inch
Pixels	5120 x 3840 pixels, 20 Mpix
Scan mode	Progressive, rolling shutter
Pixel size	1.4 µm x 1.4 µm
Filter	RGB
Mount	0.75x C-mount
Max fps	Up to 20 frames per second (5120 x 3840 pixels) Up to 45 frames per second (2560 x 1920 pixels) (Frame rates were determined at optimal conditions)
Exposure	Automatic or manual
Exposure time	0.2 ms ~ 15 s
White balance	Automatic/manual
Dynamic range	39 db
S/N max	60 db
Sensitivity V/lux-sec	8.4 ke-/lux.sec
Data interface	USB 3.0 high speed
Operation	0 ~ 50°C, 30-80 % humidity
Storage temperature	-20 to 60°Celsius
Power supply	5V over PC USB port
Housing	Integrated CNC aluminum alloy



● DC.20000-Pro



Supplied with	0.75x objective with C-mount, USB 3 cable, 30 and 30.5 mm adapters for stereomicroscopes, 76 x 24 mm calibration slide (1mm/100), carton box
Software	ImageFocus Alpha capture and measuring software For Win 10 and higher (32 and 64 bit configurations). A Mac OS version is available
PC requirements	Compatible with Intel Core 2, 2.8 GHZ or higher, 2 GB, USB-3 high speed
Product number	DC.20000-Pro



● CMEX-20 Pro package content



www.euromex.com