

Specifications

Conditions of Sale

STANDARD: The seller's standard conditions of sale set forth in Price Sheet 153 apply, except as modified under "WARRANTY QUALIFICATIONS" below.

SPECIAL TO THIS PRODUCT:

INCLUSIONS: S&C Type XS Fuse Cutouts are assigned single-value nominal voltage ratings (not "dual," "slant," or "system voltage class" ratings) and are applicable, without restriction, on all three-phase systems having system maximum operating voltage (line-to-line) less than or equal to the cutout maximum voltage. Type XS Fuse Cutout interrupting ratings have been substantiated by testing performed in accordance with IEEE C37.41-2000. Recognizing that under certain fault conditions cutouts can be exposed to voltages in excess of system line-to-neutral voltage—faults the cutouts *should* clear with no reliance on backup devices—S&C has tested Type XS Fuse Cutouts at *full system line-to-line voltage* across a wide spectrum of available fault currents using transient-recovery voltages realistically representative of those the cutout will see in actual service.

A choice of connector arrangements is available—some at an extra charge—as listed in Table 2 on page 4. Specify the connector arrangement desired by adding the appropriate suffix letter to the catalog number of the selected cutout.

All S&C Type XS Fuse Cutouts and Disconnects listed are equipped with hooks for use with Loadbuster®—The S&C Loadbreak Tool.

EXCLUSIONS: Overhead—pole-top style cutouts do not include fuse links or mounting brackets.

Mounting brackets for these cutouts are available, at an extra charge, as listed in Table 2 on page 4.

WARRANTY QUALIFICATIONS: The standard warranty contained in the seller's standard conditions of sale (as set forth in Price Sheet 153) does not apply to S&C Type XS Fuse Cutouts, Outdoor Distribution, when installed in conjunction with fuse tubes or disconnect blades not manufactured by S&C, nor does it apply to S&C fuse tubes and disconnect blades installed in cutouts not manufactured by S&C.

How to Order A Complete Type XS Fuse Cutout

1. Obtain the catalog number of the desired fuse cutout from Table 1 on pages 2 and 3.
2. Select mounting bracket (if desired), connector arrangement (required), and other options (if desired) from Tables 2 and 3 on page 4. Add the indicated suffix letter(s) to the catalog number selected in Step 1, above.

How to Order Handling Tools

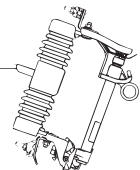
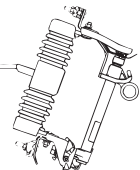
Obtain the catalog number(s) of recommended handling tool(s) from Table 4 on page 4. Refer to Specification Bulletin 851-31.

★ S&C Type XS Fuse Cutouts are manufactured in accordance with a quality system certified to ISO 9001:2000. Single-shot Overhead—Pole-Top Style Type XS Fuse Cutouts are sold in the United States, Canada, and all countries in the Caribbean (excluding countries located on the mainland of South America and Central America) by MacLean Power Systems, www.maclepower.com.



S&C Type Fuse Cutouts

Table 1. Complete Units

Style and Illustration	System Voltage, kV	Rating					Leakage Distance to Ground Minimum, Inches (mm)		Catalog Number (Less Mounting Bracket and Connectors) ^①		Page Reference for Dimensional Information
		kV		Amperes, RMS			Porcelain	Polymer	Porcelain Insulator	Polymer Insulator	
		Nom.	Max	BIL	Cont.	Inter-rupting, Asym.					
 <p>Extra-Heavy-Duty Overhead—Pole-Top^②</p>	4.16 thru 14.4	14.4	15	110	100	10 000	8½ (216)	14¾ (375)	89021R10	89021R10-P	6
		25	27	125	100	8 000	11 (279)	—	89022R10	—	6
	16.5 thru 24.9	25	27	150	100	8 000	17 (432)	19 (483)	89042R10	89042R10-P	7
				125	100	8 000	11 (279)	—	89022R10	—	6
		25	27	150	100	8 000	17 (432)	19 (483)	89042R10	89042R10-P	7
26.4 thru 34.5●	25	27	150	100	8 000	17 (432)	19 (483)	89042R10	89042R10-P	7	
 <p>Ultra-Heavy-Duty Overhead—Pole-Top^③</p>	4.16 thru 14.4	14.4	15	110	100	16 000	8½ (216)	14¾ (375)	89031R10	89031R10-P	8
				110	200	12 000	8½ (216)	14¾ (375)	89071R11	89071R11-P	10
	25	27	125	100	12 000	11 (279)	—	89032R10	—	8	
			150	100	12 000	17 (432)■	19 (483)	89052R10	89052R10-P	9	
			125	200	10 000	11 (279)	—	89072R11	—	10	
	16.5 thru 24.9	25	27	150	100	12 000	17 (432)■	19 (483)	89052R10	89052R10-P	9
				150	200	10 000	17 (432)	19 (483)	89092R11	89092R11-P	11
				150	100	12 000	17 (432)▲	—	89033R10▼	—	—
	26.4 thru 34.5●	25	27	150	100	12 000	17 (432)■	19 (483)	89052R10	89052R10-P	9
				150	100	12 000	17 (432)▲	—	89033R10▼	—	—
	26.4 thru 34.5	34.5	36	170	100	12 000	26 (660)▲◆	35⅞ (900)	89053R10	89053R10-P	9

① Specify mounting bracket, if desired, and connector option by adding suffix letter(s) to catalog number. For example, 89031R10-BD. See Table 2 on page 4.

② Uses either nonremovable or removable buttonhead fuse links.

③ Uses removable buttonhead fuse links only.

● Applicable for protection of single-phase-to-neutral circuits (lines or transformers) only and grounded-wye connected capacitor banks in solidly grounded-neutral (multigrounded-neutral) systems—where the leakage distance to ground meets user's requirements.

■ Approximate fuse-tube length, top of fuse-tube cap to bottom of fuse tube: 14¾ inches (375 mm).

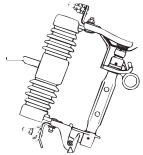
▲ Approximate fuse-tube length, top of fuse-tube cap to bottom of fuse tube: 18¼ inches (464 mm).

◆ Leakage distance to ground is 26 inches (660 mm) for catalog numbers 89053R10 and 89253R10. A 28.3-inch (719-mm) leakage distance also available. Contact your nearest S&C Sales Office.

▼ Product discontinued.

TABLE CONTINUED ►

Table 1. Complete Units—Continued

Style and Illustration	System Voltage, kV	Rating					Leakage Distance to Ground Minimum, Inches (mm)		Catalog Number (Less Mounting Bracket and Connectors) ^①		Page Reference for Dimensional Information
		kV			Amperes, RMS		Porcelain	Polymer	Porcelain Insulator	Polymer Insulator	
		Nom.	Max	BIL	Cont.	Mom., Asym.					
Disconnect Overhead—Pole-Top 	4.16 thru 14.4	14.4	15	110	300	16 000	8½ (216)	14¾ (375)	89221R10	89221R10-P	12
		25	27	125	300	12 000	11 (279)	—	89222R10	—	12
	16.5 thru 24.9	25	27	125	300	12 000	11 (279)	—	89222R10	—	12
				150	300	12 000	17 (432)	—	89223R10▲	—	—
	26.4 thru 34.5●	25	27	150	300	12 000	17 (432)	—	89223R10▲	—	—
26.4 thru 34.5	34.5	36	170	300	12 000	26 (660)■	35⅞ (900)	89253R10	89253R10-P	13	

① Specify mounting bracket, if desired, and connector option by adding suffix letter(s) to catalog number. For example, 89031R10-BD. See Table 2 on page 4.

● Applicable where the leakage distance to ground meets user's requirements.

■ A 28.3-inch (719-mm) leakage distance is also available; contact the nearest S&C Sales Office.

▲ Product discontinued.

S&C Type Fuse Cutouts

Table 2. Mounting Brackets and Connector Options

Item				Add Catalog Number Suffix
S&C Extended Mounting Bracket for crossarm, pole, or wall mounting of overhead—pole-top style cutouts				-B
NEMA Type B mounting bracket for crossarm mounting of overhead—pole-top style cutouts				-C
Item	Accommodating Conductors		Position	
	Quantity	Size and Material		
Parallel-groove connectors	Two	No. 6 solid (13.3 mm ²) through No. 2 stranded (44.4 mm ²) copper or aluminum in one groove; No. 2 solid (33.6 mm ²) through 250 kc mil (168 mm ²) stranded copper or aluminum or 4/0 ACSR (161 mm ²) in the other groove	Standard Orientation	-D
Eye-bolt connectors	One	No. 8 solid (8.4 mm ²) through 250 kc mil (168 mm ²) stranded copper or aluminum, or 4/0 ACSR (161 mm ²)	Standard Orientation	-M
			Lower Connector Rotated 90°	-M90

Table 3. Other Options

Item	Add Catalog Number Suffix
Sea-coast design—all galvanized steel components and hardware replaced with stainless steel to provide enhanced corrosion resistance in coastal or high contamination environments ^①	-S

① Special order. Available only for porcelain insulators.

Table 4. Recommended Handling Tools—For use with Type XS Fuse Cutouts

Item	Catalog Number
Station prong	4402R2
Distribution prong	4416
Talon™ Handling Tool	4440
Universal pole	●

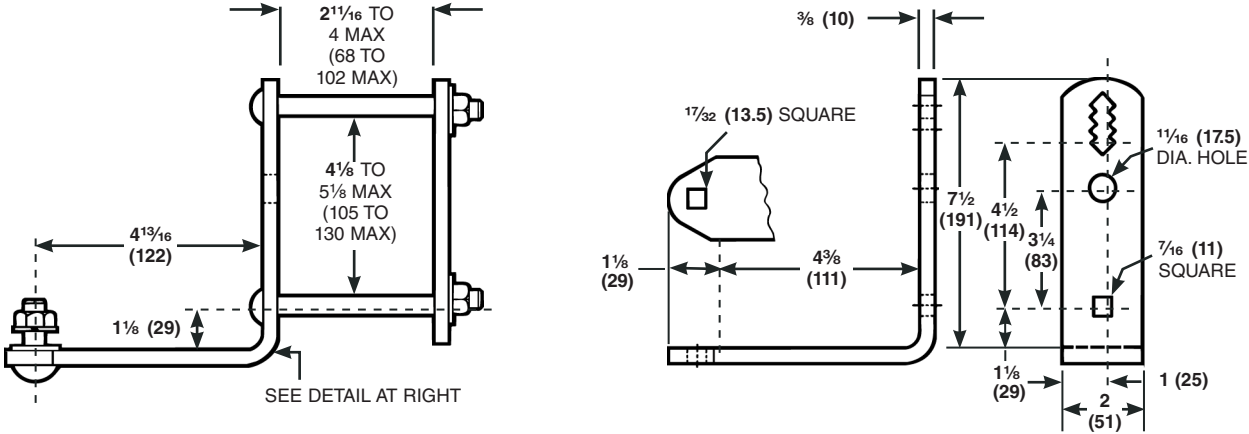
● Select to match height of installation. Refer to Specification Bulletin 851-31.

Mounting Bracket Details

S&C Extended Mounting Bracket (catalog number suffix “-B”)

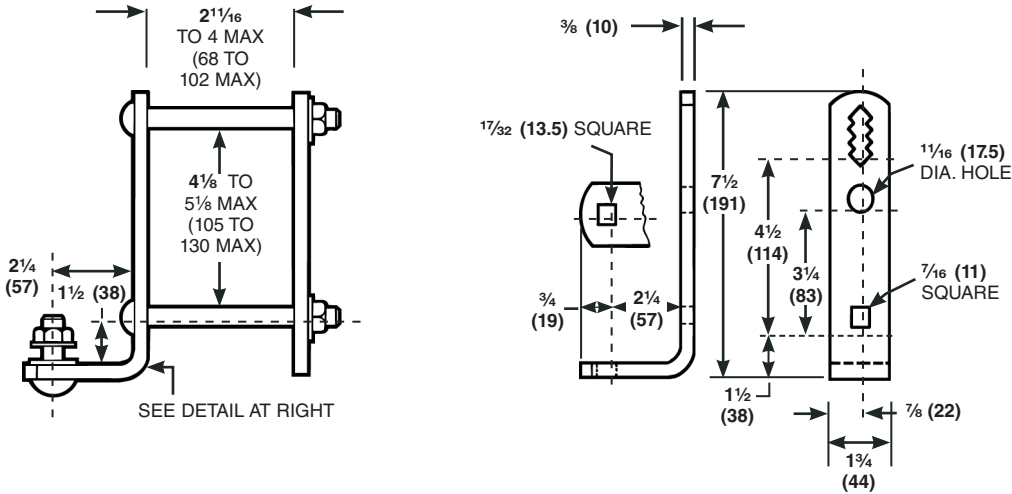
Adjustable from 3 × 4 to 4 × 5 (76 × 102 to 102 × 127) crossarm

Dimensions in inches (mm)



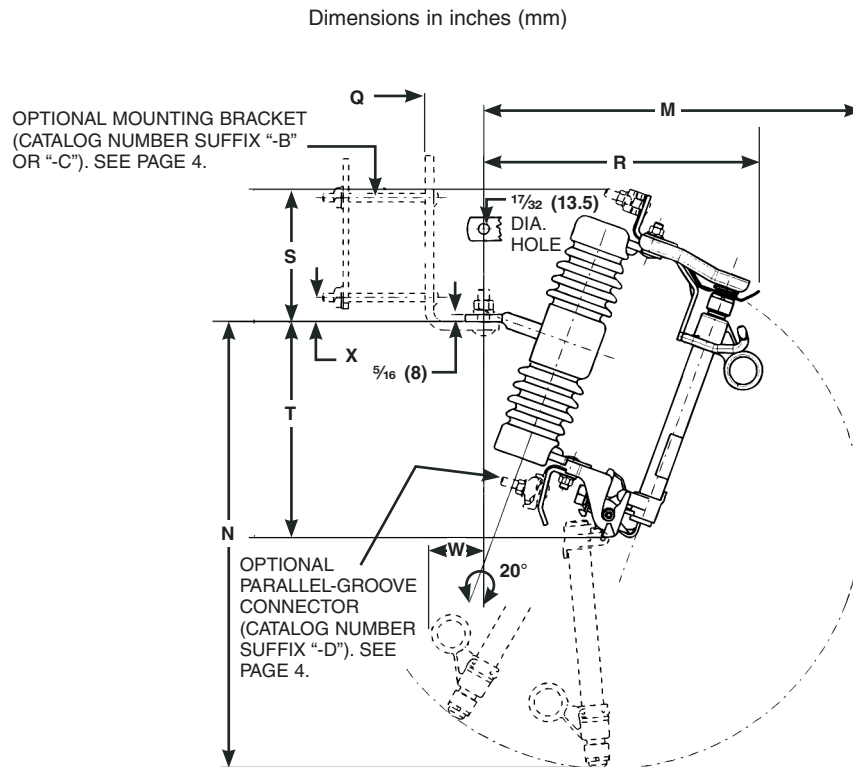
NEMA-Type Mounting Bracket (catalog number suffix “-C”)

Adjustable from 3 × 4 to 4 × 5 (76 × 102 to 102 × 127) crossarm



S&C Type Fuse Cutouts

Extra-Heavy-Duty Overhead—Pole-Top Style



Catalog numbers 89021R10 and 89022R10

- Uses either nonremovable or removable buttonhead fuse links.

Rating					Leakage Distance to Ground, Min., Inches (mm)	Catalog Number (Less Mounting Bracket and Connectors)①		Dimensions in Inches (mm)								Net Weight, Lbs. (kg)
kV			Amperes, RMS			Porcelain Insulator	Polymer Insulator	M	N	Q②	R	S③	T	W	X④	
Nom.	Max	BIL	Cont.	Interr., Asym												
14.4	15	110	100	10 000	8½ (216)	89021R10	—	17 (432)	20¼ (514)	2½ (67)	12½ (318)	6¼ (159)	9¼ (248)	2¾ (60)	1½ (38)	13 (5.9)
14.4	15	110	100	10 000	14¾ (375)	—	89021R10-P	17 (432)	20¼ (514)	2½ (67)	12½ (318)	6¼ (159)	9¼ (248)	2¾ (60)	1½ (38)	8½ (3.9)
25	27	125	100	8 000	11 (279)	89022R10	—	19¾ (505)	25¼ (641)	2½ (67)	13½ (333)	7¼ (200)	11¾ (289)	4¼ (108)	1½ (38)	15½ (7.0)

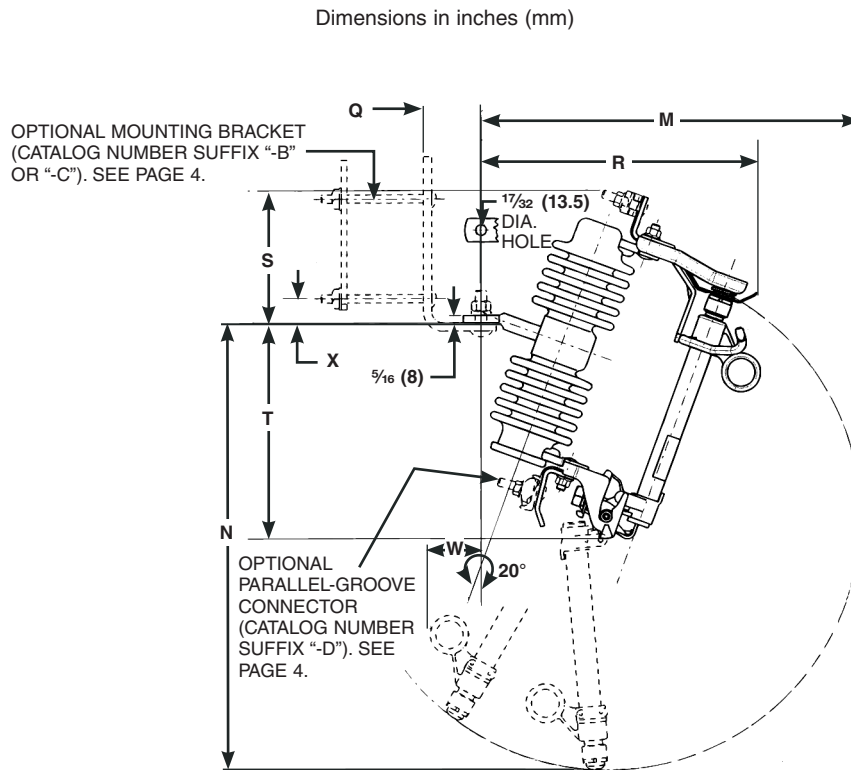
① Specify mounting bracket, if desired, and connector option by adding suffix letter(s) to catalog number. For example, 89021R10-BD. See Table 2 on page 4.

② Dimension applies to cutout furnished with optional NEMA Type B Mounting Bracket (cutout catalog number suffix "-C"). If cutout is furnished with optional S&C Extended Mounting Bracket (cutout catalog number suffix "-B"), dimension is 5¼ inches (132 mm).

③ Dimension applies to cutout furnished with optional parallel-groove connectors (cutout catalog number suffix "-D"). If cutout is furnished with optional eye-bolt connectors (cutout catalog number suffix "-M"), dimension is slightly smaller.

④ Dimension applies to cutout furnished with optional NEMA Type B Mounting Bracket (cutout catalog number suffix "-C"). If cutout is furnished with optional S&C Extended Mounting Bracket (cutout Catalog Number Suffix "-B"), dimension is 1½ inches (29 mm).

Extra-Heavy-Duty Overhead—Pole-Top Style



Catalog number 89042R10

- Uses either nonremovable or removable buttonhead fuse links.

Rating					Leakage Distance to Ground, Min., Inches (mm)	Catalog Number (Less Mounting Bracket and Connectors)①		Dimensions in Inches (mm)							Net Weight, Lbs. (kg)	
kV			Amperes, RMS			Porcelain Insulator	Polymer Insulator	M	N	Q②	R	S③	T	W		X④
Nom.	Max	BIL	Cont.	Interr., Asym												
25	27	150	100	8 000	17 (432)	89042R10■	—	19 7/8 (505)	25 1/4 (641)	2 5/8 (67)	13 3/8 (333)	7 7/8 (200)	11 3/8 (289)	4 1/4 (108)	1 1/2 (38)	20 1/2 (9.3)
25	27	150	100	8 000	19 (483)	—	89042R10-P■	19 7/8 (505)	25 1/4 (641)	2 5/8 (67)	13 3/8 (333)	7 7/8 (200)	11 3/8 (289)	4 1/4 (108)	1 1/2 (38)	10 (4.5)

① Specify mounting bracket, if desired, and connector option by adding suffix letter(s) to catalog number. For example, 89042R10-BD. See Table 2 on page 4.

② Dimension applies to cutout furnished with optional NEMA Type B Mounting Bracket (cutout catalog number suffix "-C"). If cutout is furnished with optional S&C Extended Mounting Bracket (cutout catalog number suffix "-B"), dimension is 5 1/8 inches (132 mm).

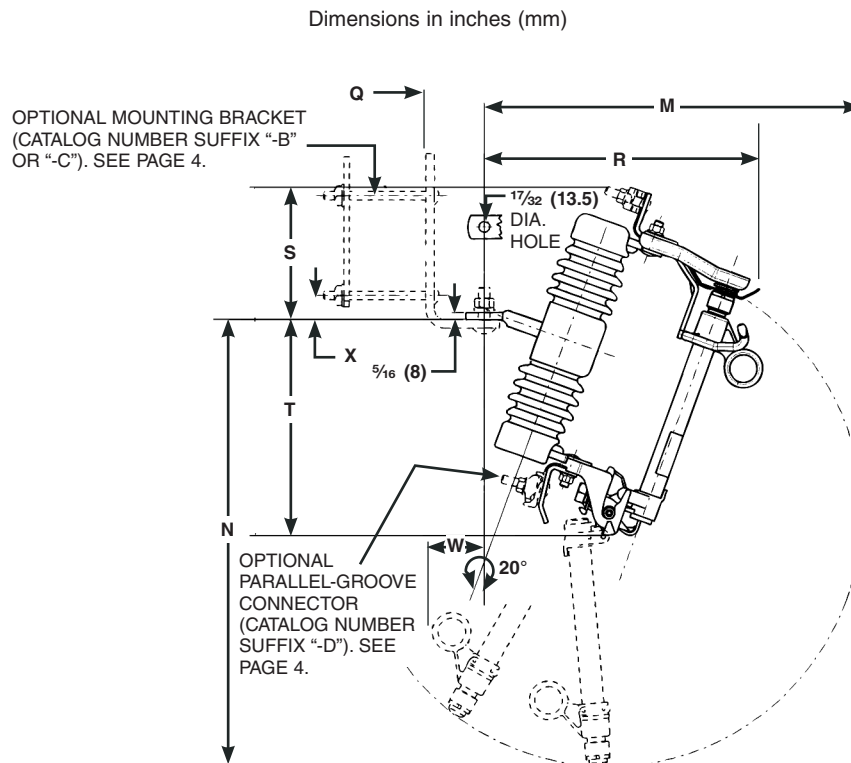
③ Dimension applies to cutout furnished with optional parallel-groove connectors (cutout catalog number suffix "-D"). If cutout is furnished with optional eye-bolt connectors (cutout catalog number suffix "-M"), dimension is slightly smaller.

④ Dimension applies to cutout furnished with optional NEMA Type B Mounting Bracket (cutout catalog number suffix "-C"). If cutout is furnished with optional S&C Extended Mounting Bracket (cutout catalog number suffix "-B"), dimension is 1 1/8 inches (29 mm).

■ Applicable for protection of single-phase-to-neutral circuits (lines or transformers) only, and grounded-wye connected capacitor banks in solidly-grounded-neutral (multigrounded-neutral) systems rated 26.4 kV through 34.5 kV—where leakage distance to ground meets user's requirements.

S&C Type Fuse Cutouts

Ultra-Heavy-Duty Overhead—Pole-Top Style●



Catalog numbers 89031R10 and 89032R10

- Uses removable buttonhead fuse links only.

Rating					Leakage Distance to Ground, Min., Inches (mm)	Catalog Number (Less Mounting Bracket and Connectors)①		Dimensions in Inches (mm)								Net Weight, Lbs. (kg)
kV		Amperes, RMS				Porcelain Insulator	Polymer Insulator	M	N	Q②	R	S③	T	W	X④	
Nom.	Max	BIL	Cont.	Interr., Asym												
14.4	15	110	100	16 000	8½ (216)	89031R10	—	17 (432)	20¼ (514)	2⅝ (67)	12½ (318)	6¼ (159)	9¼ (248)	2⅝ (60)	1½ (38)	13 (5.9)
14.4	15	110	100	16 000	14¾ (375)	—	89031R10-P	17 (432)	20¼ (514)	2⅝ (67)	12½ (318)	6¼ (159)	9¼ (248)	2⅝ (60)	1½ (38)	8½ (3.9)
25	27	125	100	12 000	11 (279)	89032R10	—	19⅞ (505)	25¼ (641)	2⅝ (67)	13⅜ (333)	7⅞ (200)	11⅝ (289)	4¼ (108)	1½ (38)	15½ (7.0)

① Specify mounting bracket, if desired, and connector option by adding suffix letter(s) to catalog number. For example, 89031R10-CM. See Table 2 on page 4.

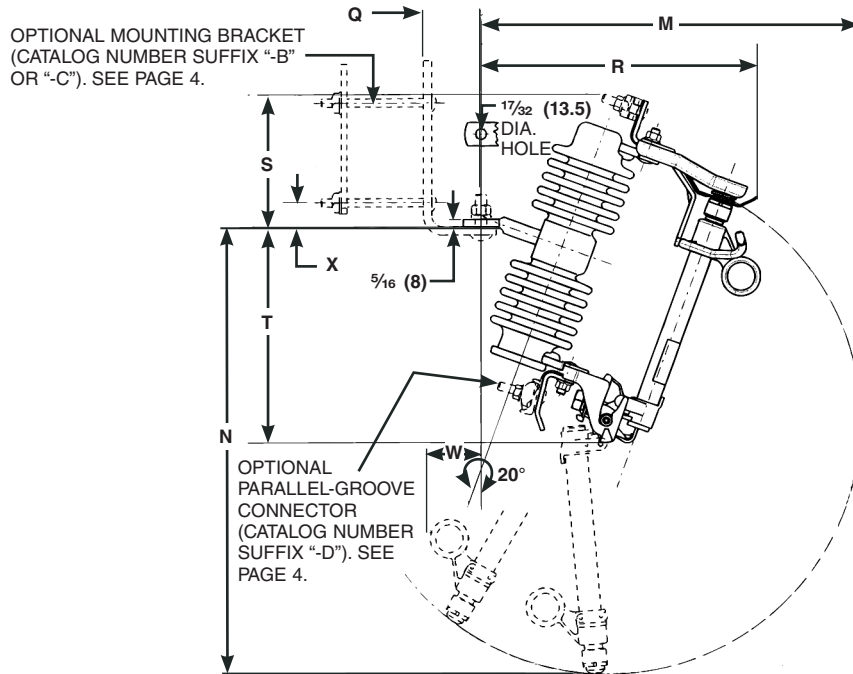
② Dimension applies to cutout furnished with optional NEMA Type B Mounting Bracket (cutout catalog number suffix "C"). If cutout is furnished with optional S&C Extended Mounting Bracket (cutout catalog number suffix "B"), dimension is 5⅞ inches (132 mm).

③ Dimension applies to cutout furnished with optional parallel-groove connectors (cutout catalog number suffix "D"). If cutout is furnished with optional eye-bolt connectors (cutout catalog number suffix "M"), dimension is slightly smaller.

④ Dimension applies to cutout furnished with optional NEMA Type B Mounting Bracket (cutout catalog number suffix "C"). If cutout is furnished with optional S&C Extended Mounting Bracket (cutout catalog number suffix "B"), dimension is 1½ inches (29 mm).

Ultra-Heavy-Duty Overhead—Pole-Top Style

Dimensions in inches (mm)



Catalog numbers 89052R10 and 89053R10

● Uses removable buttonhead fuse links only.

Rating					Leakage Distance to Ground, Min., Inches (mm)	Catalog Number (Less Mounting Bracket and Connectors)①		Dimensions in Inches (mm)								Net Weight, Lbs. (kg)
kV		Amperes, RMS				Porcelain Insulator	Polymer Insulator	M	N	Q②	R	S③	T	W	X④	
Nom.	Max	BIL	Cont.	Interr., Asym												
25	27	150	100	12 000	17 (432)■	89052R10	—	19 7/8 (505)	25 1/4 (641)	2 5/8 (67)	13 3/4 (349)	7 1/8 (200)	11 3/8 (289)	4 1/4 (108)	1 1/2 (38)	20 1/2 (9.3)
25	27	150	100	12 000	19 (483)■	—	89052R10-P	19 7/8 (505)	25 1/4 (641)	2 5/8 (67)	13 3/4 (349)	7 1/8 (200)	11 3/8 (289)	4 1/4 (108)	1 1/2 (38)	10 (4.5)
34.5	36	170	100	12 000	26 (660)▲	89053R10	—	22 3/4 (578)	31 3/8 (797)	2 5/8 (67)	13 3/4 (349)	9 1/2 (241)	13 (330)	6 1/4 (159)	1 1/2 (38)	23 (10.4)
34.5	36	170	100	12 000	35 7/16 (900)▲	—	89053R10-P	22 3/4 (578)	31 3/8 (797)	2 5/8 (67)	13 3/4 (349)	9 1/2 (241)	13 (330)	6 1/4 (159)	1 1/2 (38)	12 (5.4)

① Specify mounting bracket, if desired, and connector option by adding suffix letter(s) to catalog number. For example, 89052R10-CM. See Table 2 on page 4.

② Dimension applies to cutout furnished with optional NEMA Type B Mounting Bracket (cutout catalog number suffix "-C"). If cutout is furnished with optional S&C Extended Mounting Bracket (cutout catalog number suffix "-B"), dimension is 5 5/16 inches (132 mm).

③ Dimension applies to cutout furnished with optional parallel-groove connectors (cutout catalog number suffix "-D"). If cutout is furnished with optional eye-bolt connectors (cutout catalog number suffix "-M"), dimension is slightly smaller.

④ Dimension applies to cutout furnished with optional NEMA Type B Mounting Bracket (cutout catalog number suffix "-C"). If cutout is furnished with optional S&C Extended Mounting Bracket (cutout catalog number suffix "-B"), dimension is 1 1/8 inches (29 mm).

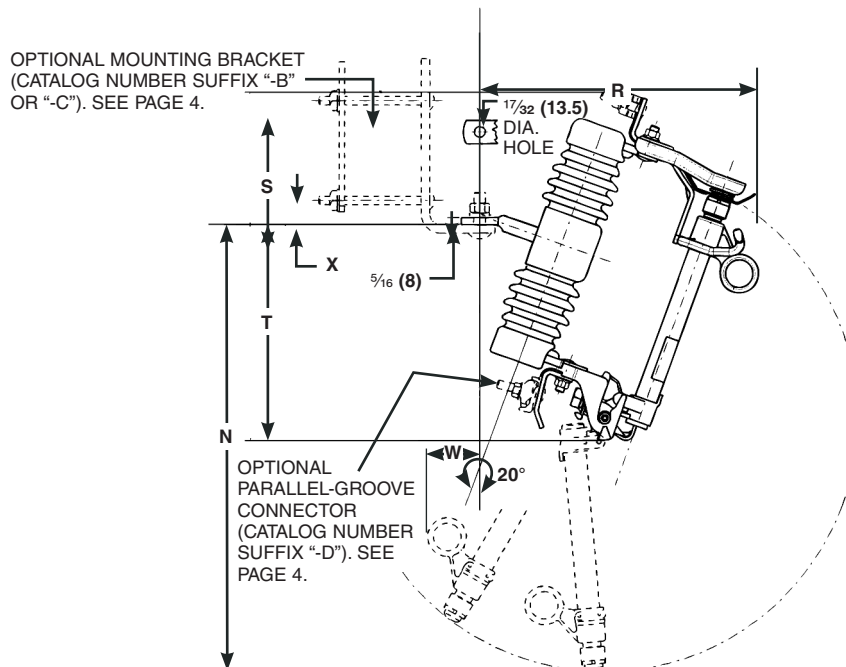
■ Approximate fuse-tube length, top of fuse-tube cap to bottom of fuse tube: 14 3/4 inches (375 mm).

▲ Approximate fuse-tube length, top of fuse-tube cap to bottom of fuse tube: 18 1/4 inches (464 mm).

S&C Type Fuse Cutouts

Ultra-Heavy-Duty Overhead—Pole-Top Style●

Dimensions in inches (mm)



Catalog numbers 89071R11 and 89072R11

- Uses removable buttonhead fuse links only.

Rating					Leakage Distance to Ground, Min., Inches (mm)	Catalog Number (Less Mounting Bracket and Connectors) ^①		Dimensions in Inches (mm)								Net Weight, Lbs. (kg)
kV			Amperes, RMS			Porcelain Insulator	Polymer Insulator	M	N	Q ^②	R	S ^③	T	W	X ^④	
Nom.	Max	BIL	Cont.	Interr., Asym												
14.4	15	110	200	12 000	8½ (216)	89071R11	—	17 (432)	20¼ (514)	2½ (67)	12½ (318)	6¼ (159)	9¼ (248)	2¾ (60)	1½ (38)	14 (6.4)
14.4	15	110	200	12 000	14¾ (375)	—	89071R11-P	17 (432)	20¼ (514)	2½ (67)	12½ (318)	6¼ (159)	9¼ (248)	2¾ (60)	1½ (38)	9½ (4.3)
25	27	125	200	10 000	11 (279)	89072R11	—	19¾ (505)	25¼ (641)	2½ (67)	13¾ (333)	7¾ (200)	11¾ (289)	4¼ (108)	1½ (38)	16½ (7.5)

^① Specify mounting bracket, if desired, and connector option by adding suffix letter(s) to catalog number. For example, 89071R11-CD. See Table 2 on page 4.

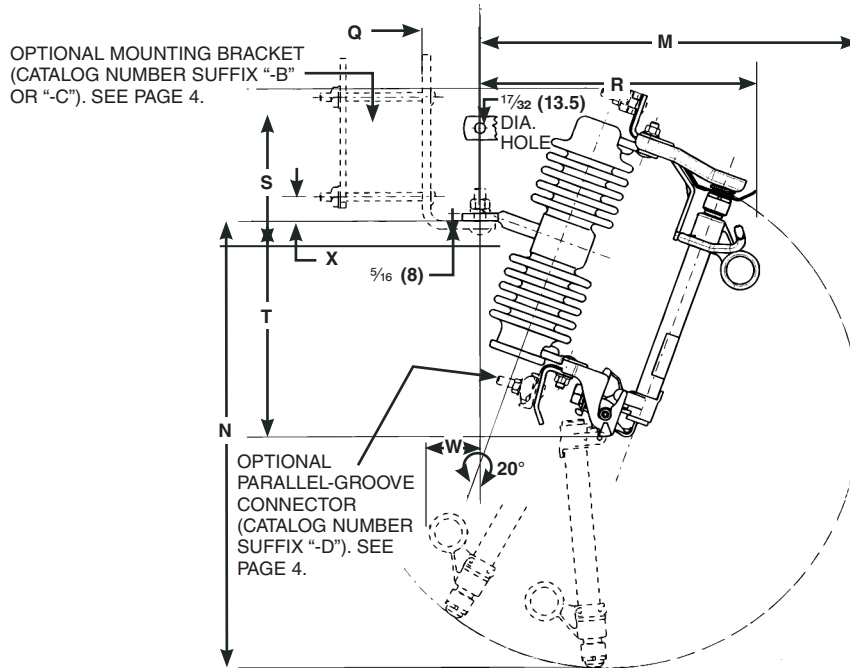
^② Dimension applies to cutout furnished with optional NEMA Type B Mounting Bracket (cutout catalog number suffix "-C"). If cutout is furnished with optional S&C Extended Mounting Bracket (cutout catalog number suffix "-B"), dimension is 5½ inches (132 mm).

^③ Dimension applies to cutout furnished with optional parallel-groove connectors (cutout catalog number suffix "-D"). If cutout is furnished with optional eye-bolt connectors (cutout catalog number suffix "-M"), dimension is slightly smaller.

^④ Dimension applies to cutout furnished with optional NEMA Type B Mounting Bracket (cutout catalog number suffix "-C"). If cutout is furnished with optional S&C Extended Mounting Bracket (cutout catalog number suffix "-B"), dimension is 1½ inches (29 mm).

Ultra-Heavy-Duty Overhead—Pole-Top Style●

Dimensions in inches (mm)



Catalog number 89092R11

- Uses removable buttonhead fuse links only.

Rating					Leakage Distance to Ground, Min., Inches (mm)	Catalog Number (Less Mounting Bracket and Connectors)①		Dimensions in Inches (mm)							Net Weight, Lbs. (kg)	
kV			Amperes, RMS			Porcelain Insulator	Polymer Insulator	M	N	Q②	R	S③	T	W		X④
Nom.	Max	BIL	Cont.	Interr., Asym												
25	27	150	200	10 000	17 (432)	89092R11	—	19 7/8 (505)	25 1/4 (641)	2 5/8 (67)	13 3/8 (333)	7 7/8 (200)	11 3/8 (289)	4 1/4 (108)	1 1/2 (38)	211/2 (9.8)
25	27	150	200	10 000	19 (483)	—	89092R11-P	19 7/8 (505)	25 1/4 (641)	2 5/8 (67)	13 3/8 (333)	7 7/8 (200)	11 3/8 (289)	4 1/4 (108)	1 1/2 (38)	11 (5.0)

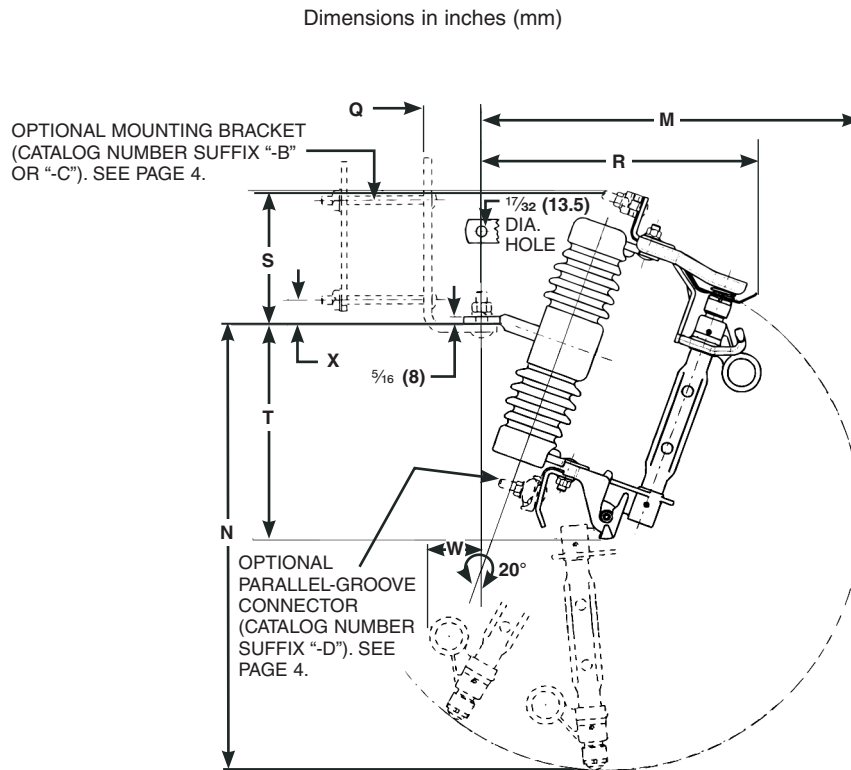
① Specify mounting bracket, if desired, and connector option by adding suffix letter(s) to catalog number. For example, 89092R11-CD. See Table 2 on page 4.

② Dimension applies to cutout furnished with optional NEMA Type B Mounting Bracket (cutout catalog number suffix "-C"). If cutout is furnished with optional S&C Extended Mounting Bracket (cutout catalog number suffix "-B"), dimension is 5 5/16 inches (132 mm).

③ Dimension applies to cutout furnished with optional parallel-groove connectors (cutout catalog number suffix "-D"). If cutout is furnished with optional eye-bolt connectors (cutout catalog number suffix "-M"), dimension is slightly smaller.

④ Dimension applies to cutout furnished with optional NEMA Type B Mounting Bracket (cutout catalog number suffix "-C"). If cutout is furnished with optional S&C Extended Mounting Bracket (cutout catalog number suffix "-B"), dimension is 1 1/8 inches (29 mm).

Disconnect Overhead—Pole-Top Style



Catalog numbers 89221R10 and 89222R10

Rating						Leakage Distance to Ground, Min., Inches (mm)	Catalog Number (Less Mounting Bracket and Connectors) ^①		Dimensions in Inches (mm)								Net Weight, Lbs. (kg)
kV			Amperes, RMS				Porcelain Insulator	Polymer Insulator	M	N	Q ^②	R	S ^③	T	W	X ^④	
Nom.	Max	BIL	Cont.	Short Time													
				Mom., Asym.	15-Cycle (Sym.)												
14.4	15	110	300	16 000	10 600	8½ (216)	89221R10	—	17 (432)	20¼ (514)	2⅝ (67)	12½ (318)	6¼ (159)	9¼ (248)	2⅝ (60)	1½ (38)	13 (5.9)
14.4	15	110	300	16 000	10 600	14¾ (375)	—	89221R10-P	17 (432)	20¼ (514)	2⅝ (67)	12½ (318)	6¼ (159)	9¼ (248)	2⅝ (60)	1½ (38)	8½ (3.9)
25	27	125	300	12 000	8 600	11 (279)	89222R10	—	19⅞ (505)	25¼ (641)	2⅝ (67)	13⅝ (333)	7⅞ (200)	11⅝ (289)	4¼ (108)	1½ (38)	15½ (7.0)

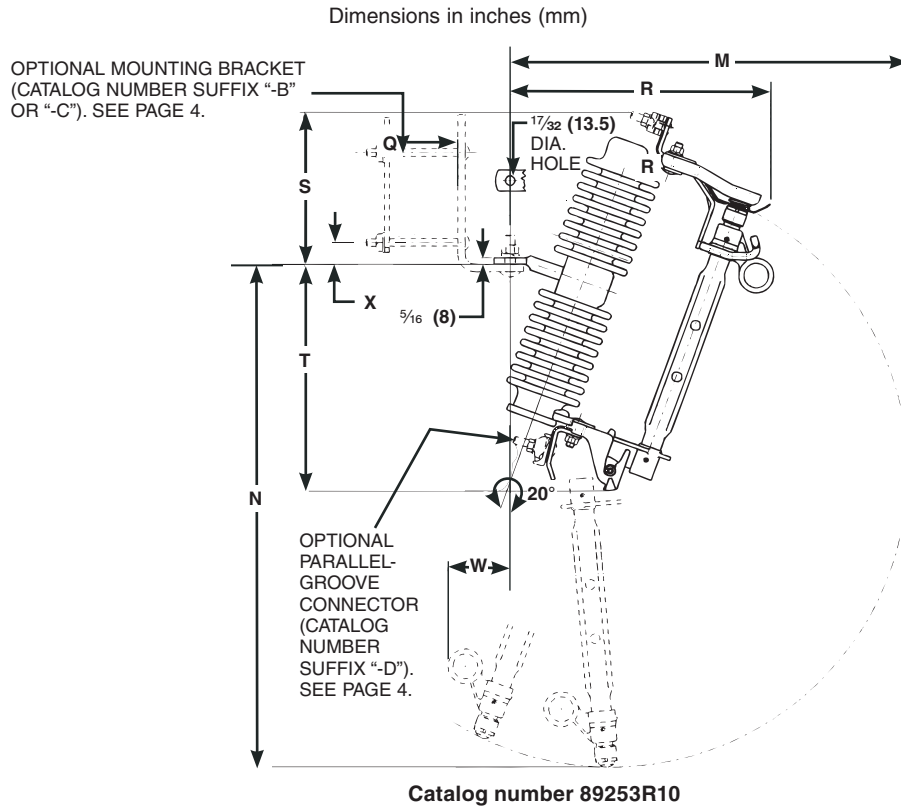
① Specify mounting bracket, if desired, and connector option by adding suffix letter(s) to catalog number. For example, 89221R10-BD. See Table 2 on page 4.

② Dimension applies to cutout furnished with optional NEMA Type B Mounting Bracket (cutout catalog number suffix “-C”). If cutout is furnished with optional S&C Extended Mounting Bracket (cutout catalog number suffix “-B”), dimension is 5⅝ inches (132 mm).

③ Dimension applies to cutout furnished with optional parallel-groove connectors (cutout catalog number suffix “-D”). If cutout is furnished with optional eye-bolt connectors (cutout catalog number suffix “-M”), dimension is slightly smaller.

④ Dimension applies to cutout furnished with optional NEMA Type B Mounting Bracket (cutout catalog number suffix “-C”). If cutout is furnished with optional S&C Extended Mounting Bracket (cutout catalog number suffix “-B”), dimension is 1½ inches (38 mm).

Disconnect Overhead—Pole-Top Style



Rating						Leakage Distance to Ground, Min., Inches (mm)	Catalog Number (Less Mounting Bracket and Connectors) ^①		Dimensions in Inches (mm)								Net Weight, Lbs. (kg)
kV			Amperes, RMS				Porcelain Insulator	Polymer Insulator	M	N	Q ^②	R	S ^③	T	W	X ^④	
Nom.	Max	BIL	Cont.	Short Time													
				Mom., Asym.	15-Cycle (Sym.)												
34.5	36	170	300	12 000	8 600	26 (660)	89253R10	—	22 ³ / ₄ (578)	31 ¹ / ₈ (797)	2 ⁵ / ₈ (67)	13 ³ / ₄ (349)	9 ¹ / ₂ (241)	13 (330)	6 ¹ / ₄ (159)	1 ¹ / ₂ (38)	23 (10.4)
34.5	36	170	300	12 000	8 600	35 ⁷ / ₁₆ (900)	—	89253R10-P	22 ³ / ₄ (578)	31 ¹ / ₈ (797)	2 ⁵ / ₈ (67)	13 ³ / ₄ (349)	9 ¹ / ₂ (241)	13 (330)	6 ¹ / ₄ (159)	1 ¹ / ₂ (38)	12 (5.4)

① Specify mounting bracket, if desired, and connector option by adding suffix letter(s) to catalog number. For example, 89253R10-BD. See Table 2 on page 4.

② Dimension applies to cutout furnished with optional NEMA Type B Mounting Bracket (cutout catalog number suffix “-C”). If cutout is furnished with optional S&C Extended Mounting Bracket (cutout catalog number suffix “-B”), dimension is 5¹/₁₆ inches (132 mm).

③ Dimension applies to cutout furnished with optional parallel-groove connectors (cutout catalog number suffix “-D”). If cutout is furnished with optional eye-bolt connectors (cutout catalog number suffix “-M”), dimension is slightly smaller.

④ Dimension applies to cutout furnished with optional NEMA Type B Mounting Bracket (cutout catalog number suffix “-C”). If cutout is furnished with optional S&C Extended Mounting Bracket (cutout catalog number suffix “-B”), dimension is 1¹/₈ inches (29 mm).

S&C Type Fuse Cutouts

Table 5. Parts for Type XS Cutout

Item	Basic Catalog Number	Presently Rated, kV, Nom. ^①	Previously Rated, kV, Nom. ^②	Leakage Distance to Ground, Minimum, Inches (mm)		Approx. Fuse Tube Length, ^③ Inches (mm)	Rating Amperes, Cont.	Catalog Number (Less Mounting Bracket and Connectors) ^④	
				Porcelain	Polymer			Porcelain Insulator	Polymer Insulator
Overhead—pole-top cutout, less fuse tube	89021 89031 89071 89221	14.4	7.2, 7.2/14.4	8½ (216)	14¾ (375)	11¼ (286)	—	89811R10	89811R10-P
	89022 89032 89072 89222	25	14.4, 14.4/25	11 (279)	—	14¾(375)	—	89812R10	—
	89042 89052 89092	25	14.4, 14.4/25	17 (432)	19 (483)	14¾ (375)	—	89802R10	89802R10-P
	89033 89223	25	25	17 (432)	—	18¼ (464)	—	89813R10●	—
	89053 89253	34.5	—	26 (660)	35¼ ₁₆ (900)	18¼ (464)	—	89823R10	89823R10-P
								Catalog Number	
Extra-heavy-duty fuse tube, including cap	89021	14.4	7.2/14.4	8½ (216)	14¾ (375)	11¼ (286)	100	89521R10	
	89022 89042	25	14.4	11 (279) 17 (432)	— 19 (483)	14¾ (375)	100	89522R10	
Ultra-heavy-duty fuse tube, including cap and arc-shortening rod	89031	14.4	7.2/14.4	8½ (216)	14¾ (375)	11¼ (286)	100	89531R10	
	89032 89052	25	14.4/25	11 (279) 17 (432)	— 19 (483)	14¾ (375)	100	89532R10	
	89033 89053	34.5	25	17 (432) 26 (660)	— 35¼ ₁₆ (900)	18¼ (464)	100	89533R10	
	89071	14.4	7.2	8½ (216)	14¾ (375)	11¼ (286)	200	89571R11	
	89072 89092	25	14.4	11 (279) 17 (432)	— 19 (483)	14¾ (375)	200	89572R11	
Spare disconnect blade	89221	14.4	7.2/14.4	8½ (216)	14¾ (375)	11¼ (286)	300	89621R10	
	89222	25	14.4/25	11 (279)	—	14¾ (375)	300	89622R10	
	89223 89253	34.5	25	17 (432) 26 (660)	— 35¼ ₁₆ (900)	18¼ (464)	300	89623R10	

① Cutouts having catalog number supplement “-R11,” “-R10,” “-R9,” “-R8,” or “-R7.” For example, 89021R10-BD.

② Cutouts having catalog number supplement “-R6” or lower. For example, 89021R5-BD.

③ From top of fuse-tube cap to bottom of fuse tube.

④ Specify mounting bracket, if desired, and connector option by adding suffix letter(s) to catalog number. For example, 89811R10-BD. See Table 2 on page 4.

● Product discontinued.