

# HIKVISION®

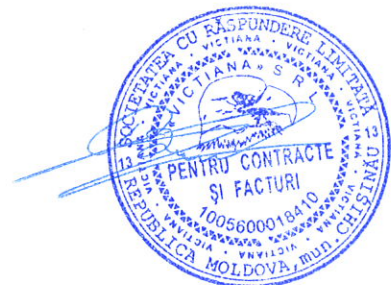
DS-2CD2063G0-I

6 MP IR Fixed Bullet Network Camera



## Key Features

- 1/2.9" Progressive Scan CMOS
- 3072 × 2048@20 fps
- 2.8/4/6/8 mm fixed lens
- Color: 0.01 lux @(F1.2, AGC ON), 0.028 lux @(F2.0, AGC ON), 0 lux with IR
- H.265+, H.265, H.264+, H.264
- 2 Behavior analyses
- 120dB WDR
- BLC/3D DNR/ROI
- IP67
- Built-in micro SD/SDHC/SDXC card slot, up to 128 GB



[www.hikvision.com](http://www.hikvision.com)



## Specifications

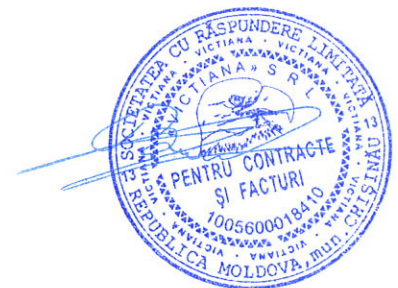
| <i>Camera</i>               |   |
|-----------------------------|---|
| Image Sensor                | 1/2.9" Progressive Scan CMOS  |
| Min. Illumination           | Color: 0.01 lux @(F1.2, AGC ON), 0.028 lux @(F2.0, AGC ON), 0 lux with IR   |
| Shutter Speed               | 1/3 s to 1/100,000 s  |
| Slow Shutter                | Yes   |
| Auto-Iris                   | No  |
| Day & Night                 | IR Cut Filter   |
| Digital Noise Reduction     | 3D DNR  |
| WDR                         | 120dB   |
| 3-Axis Adjustment           | Pan: 0° to 360°, tilt: 0° to 90°, rotate: 0° to 360°  |
| <i>Lens</i>                 |   |
| Focal Length                | 2.8/4/6/8 mm  |
| Aperture                    | F2.0  |
| Focus                       | Auto  |
| FOV                         | 2.8 mm, horizontal FOV: 97°, vertical FOV: 63°, diagonal FOV: 120°<br>4 mm, horizontal FOV: 78°, vertical FOV: 50°, diagonal FOV: 97°<br>6 mm, horizontal FOV: 60°, vertical FOV: 39°, diagonal FOV: 75°<br>8 mm, horizontal FOV: 39.5°, vertical FOV: 26°, diagonal FOV: 48° |
| Lens Mount                  | M12   |
| <i>IR</i>                   |   |
| IR Range                    | Up to 30 m  |
| Wavelength                  | 850nm   |
| <i>Compression Standard</i> |   |
| Video Compression           | Main stream: H.265/H.264<br>Sub-stream: H.265/H.264/MJPEG<br>Third stream: H.265/H.264  |
| H.264 Type                  | Main Profile/High Profile   |
| H.264+                      | Main stream supports  |
| H.265 Type                  | Main Profile  |
| H.265+                      | Main stream supports  |
| Video Bit Rate              | 32 Kbps to 16 Mbps  |
| <i>Smart Feature-set</i>    |   |
| Behavior Analysis           | Line crossing detection, intrusion detection  |
| Face Detection              | Yes   |
| Region of Interest          | Support 1 fixed region for main stream and sub-stream   |
| <i>Image</i>                |   |
| Max. Resolution             | 3072 × 2048   |
| Main Stream                 | 50Hz: 20 fps (3072 × 2048, 3072 × 1728, 2944 × 1656), 25 fps (2560 × 1440, 1920 × 1080, 1280 × 720)<br>60Hz: 20 fps (3072 × 2048, 3072 × 1728, 2944 × 1656), 30fps (2560 × 1440, 1920 × 1080, 1280 × 720)   |
| Sub-Stream                  | 50Hz: 25fps (640 × 480, 640 × 360, 320 × 240)<br>60Hz: 30fps (640 × 480, 640 × 360, 320 × 240)  |
| Third Stream                | 50Hz: 25fps(1280 × 720, 640 × 360, 352 × 288)<br>60Hz: 30fps(1280 × 720, 640 × 360, 352 × 240)  |



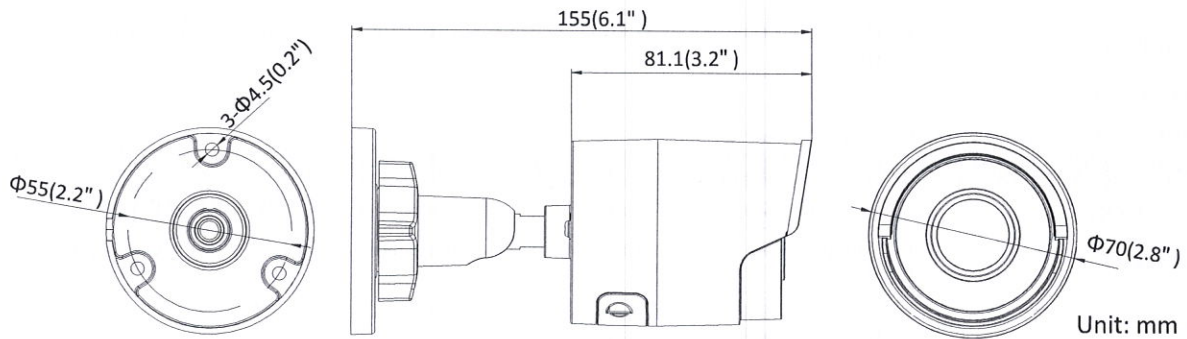
|                               |  |
|-------------------------------|--|
| Image Enhancement             | BLC/3D DNR   |
| Image Settings                | Rotate mode, saturation, brightness, contrast, sharpness adjustable by client software or web browser                            |
| Target Cropping               | No   |
| Day/Night Switch              | Day/Night/Auto/Schedule  |
| <b>Network</b>                |  |
| Network Storage               | Support Micro SD/SDHC/SDXC card (128G), local storage and NAS (NFS,SMB/CIFS), ANR  |
| Alarm Trigger                 | Motion detection, video tampering, network disconnected, IP address conflict, illegal login, HDD full, HDD error                 |
| Protocols                     | TCP/IP, ICMP, HTTP, HTTPS, FTP, DHCP, DNS, DDNS, RTP, RTSP, RTCP, PPPoE, NTP, UPnP, SMTP, SNMP, IGMP, 802.1X, QoS, IPv6, Bonjour |
| General Function              | One-key reset, anti-flicker, three streams, heartbeat, mirror, password protection, privacy mask, watermark, IP address filter   |
| Firmware Version              | V5.5.3   |
| API                           | ONVIF (PROFILE S, PROFILE G), ISAPI  |
| Simultaneous Live View        | Up to 6 channels   |
| User/Host                     | Up to 32 users<br>3 levels: Administrator, Operator and User   |
| Client                        | iVMS-4200, Hik-Connect, iVMS-5200  |
| Web Browser                   | IE8+, Chrome 31.0-44, Firefox 30.0-51, Safari 8.0+   |
| <b>Interface</b>              |  |
| Video Output                  | No   |
| Communication Interface       | 1 RJ45 10M/100M self-adaptive Ethernet port  |
| On-board Storage              | Built-in microSD/SDHC/SDXC slot, up to 128 GB  |
| SVC                           | H.264 and H.265 encoding support   |
| Reset Button                  | Yes  |
| <b>General</b>                |  |
| Operating Conditions          | -30 °C to +60 °C (-22 °F to +140 °F), Humidity 95% or less (non-condensing)  |
| Power Supply                  | 12 VDC ± 25%, Φ 5.5mm coaxial power plug<br>PoE(802.3af, class 3)  |
| Power Consumption and Current | 12 VDC, 0.4 A, max. 6W<br>PoE: (802.3af, 36V to 57V), 0.2 A to 0.1 A, max. 7.5W  |
| Protection Level              | IP67   |
| Material                      | Metal  |
| Dimensions                    | Camera: Φ 70 mm × 155 mm (Φ 2.8" × 6.1")<br>Package: 216 × 121 × 118 mm (8.5" × 4.8" × 4.7")                                     |
| Weight                        | Camera: approx. 410 g (0.9 lb.)  |

## Available Model:

DS-2CD2063G0-I (2.8/4/6/8 mm)



## Dimensions



## Accessories



**DS-1280ZJ-XS**  
Junction Box

Distributed by



# HIKVISION®

### Headquarters

No.555 Qianmo Road, Binjiang District,  
Hangzhou 310051, China  
T +86-571-8807-5998  
overseasbusiness@hikvision.com

**Hikvision USA**  
T +1-909-895-0400  
sales.usa@hikvision.com

**Hikvision Italy**  
T +39-0439-6902  
info.it@hikvision.com

**Hikvision Singapore**  
T +65-6884-4718  
sg@hikvision.com

**Hikvision Africa**  
T +27 (10) 0351172  
sale.africa@hikvision.com

**Hikvision Europe**  
T +31-23-55-42-770  
info.eu@hikvision.com

**Hikvision France**  
T +33(0)1-85-330-450  
info.fr@hikvision.com

**Hikvision Oceania**  
T +61-2-8599-4233  
salesau@hikvision.com

**Hikvision Hong Kong**  
T +852-2151-1761

**Hikvision Middle East**  
T +971-4-8016086  
salesme@hikvision.com

**Hikvision Spain**  
T +34-91-737-16-55  
info.es@hikvision.com

**Hikvision Canada**  
T +1-909-895-0400  
sales.usa@hikvision.com

**Hikvision Russia**  
T +7-495-669-67-99  
saleru@hikvision.com

**Hikvision Poland**  
T +48-22-460-01-50  
poland@hikvision.com

**Hikvision Korea**  
T +82-31-731-8841  
sales.korea@hikvision.com

**Hikvision India**  
T +91-22-28469900  
sales@pramahikvision.com

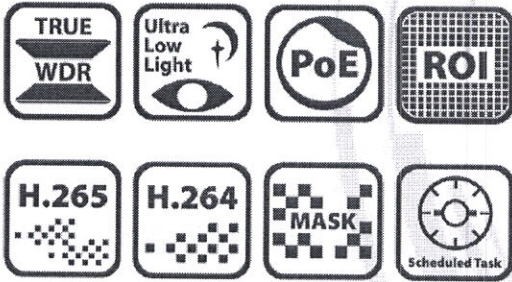
**Hikvision UK**  
T +01628-902140  
support.uk@hikvision.com

**Hikvision Brazil**  
T +55 11 3318-0050  
Latam.support@hikvision.com



## DS-2DE7232IW-AE

### 2MP 32× Network IR Speed Dome



Hikvision DS-2DE7232IW-AE 2MP 32× Network IR Speed Dome adopts 1/2.8" progressive scan CMOS chip. With the 32× optical zoom lens, the camera offers more details over expansive areas.

This series of cameras can be widely used for wide ranges of high-definition, such as the rivers, roads, railways, airports, squares, parks, scenic spots, and venues, etc.

#### Key Features

- 1/2.8" progressive scan CMOS
- Up to 1920 × 1080@60fps resolution
- Min. illumination:  
Color: 0.005 Lux @(F1.6, AGC ON)  
B/W: 0.001 Lux @(F1.6, AGC ON)  
0 Lux with IR
- 32× optical zoom, 16× digital zoom
- WDR, HLC, BLC, 3D DNR, Defog, EIS, Regional Exposure, Regional Focus
- Up to 150 m IR distance
- 24 VAC & Hi-PoE
- Support H.265+/H.265 video compression





## Specification

| Camera Module         |  |
|-----------------------|--|
| Image Sensor          | 1/2.8" progressive scan CMOS   |
| Min. Illumination     | Color: 0.005 Lux @(F1.6, AGC ON)<br>B/W: 0.001Lux @(F1.6, AGC ON)<br>0 Lux with IR   |
| White Balance         | Auto/Manual/ATW (Auto-tracking White Balance)/Indoor/Outdoor/Fluorescent Lamp/Sodium Lamp  |
| Gain                  | Auto/Manual  |
| Shutter Time          | 50Hz: 1/1 s to 1/30,000 s<br>60Hz: 1/1 s to 1/30,000 s   |
| Day & Night           | IR Cut Filter  |
| Digital Zoom          | 16x  |
| Privacy Mask          | 24 programmable privacy masks  |
| Focus Mode            | Auto/Semi-automatic/Manual   |
| WDR                   | 120 dB WDR   |
| Lens                  |  |
| Focal Length          | 4.8 mm to 153 mm, 32x optical zoom   |
| Zoom Speed            | Approx. 5.6 s (optical lens, wide-tele)  |
| Field of View         | Horizontal field of view: 55.6° to 2.04° (Wide-Tele)<br>Vertical field of view: 32.4° to 1.14° (Wide-Tele)<br>Diagonal field of view: 63° to 2.34° (Wide-Tele) |
| Working Distance      | 10 mm to 1500 mm (wide-tele)   |
| Aperture Range        | F1.2 to F4.4   |
| IR                    |  |
| IR Distance           | 150 m  |
| Smart IR              | Support  |
| PTZ                   |  |
| Movement Range (Pan)  | 360° endless   |
| Pan Speed             | Configurable, from 0.1°/s to 160°/s,<br>Preset speed: 240°/s   |
| Movement Range (Tilt) | From -15° to 90° (auto-flip)   |
| Tilt Speed            | Configurable, from 0.1°/s to 120°/s<br>Preset Speed: 200°/s  |
| Proportional Zoom     | Support  |
| Presets               | 300  |
| Patrol Scan           | 8 patrols, up to 32 presets for each patrol  |
| Pattern Scan          | 4 pattern scans, record time over 10 minutes for each scan   |
| Power-off Memory      | Support  |
| Park Action           | Preset/Pattern Scan/Patrol Scan/Auto Scan/Tilt Scan/Random Scan/Frame Scan/Panorama Scan   |
| 3D Positioning        | Support  |
| PTZ Position Display  | Support  |
| Preset Freezing       | Support  |
| Scheduled Task        | Preset/Pattern Scan/Patrol Scan/Auto Scan/Tilt Scan/Random Scan/Frame Scan/Panorama Scan/Dome Reboot/Dome Adjust/Aux Output                                    |
| Compression Standard  |  |
| Video Compression     | Main Stream: H.265+/H.265/H.264+/H.264<br>Sub-stream: H.265/H.264/MJPEG<br>Third Stream: H.265/H.264/MJPEG   |
| H.264 Type            | Baseline Profile/Main Profile/High Profile   |



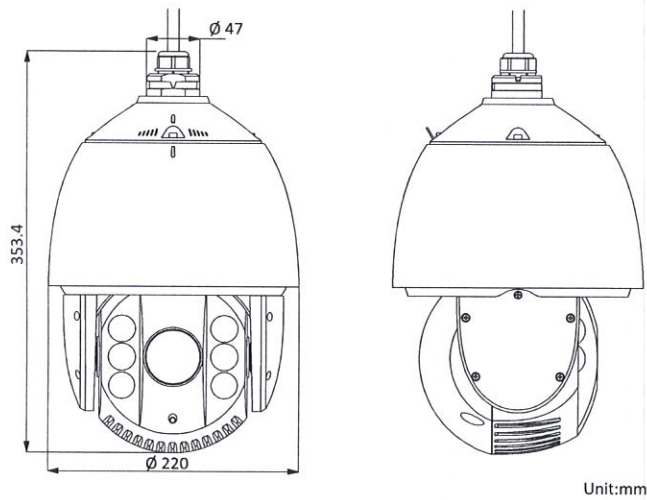
|                        |  |
|------------------------|--|
| H.264+                 | Support  |
| H.265 Type             | Baseline Profile/Main Profile/High Profile   |
| H.265+                 | Support  |
| Video Bitrate          | 32 Kbps to 16384 Kbps  |
| Audio Compression      | G.711alaw/G.711ulaw/G.722.1/G.726/MP2L2/PCM  |
| Audio Bitrate          | G.711alaw/G.711ulaw: 64 Kbps<br>G.722.1/G.726: 16 Kbps<br>MP212/PCM: 32 Kbps/64 Kbps/128 Kbps  |
| SVC                    | Support  |
| <b>Smart Features</b>  |  |
| Basic Event            | Motion Detection, Alarm Input, Alarm Output, Video Tampering Detection, Exception  |
| Smart Event            | Face Detection, Intrusion Detection, Line Crossing Detection, Region Entrance Detection, Region Exiting Detection, Object Removal Detection, Unattended Baggage Detection                            |
| Smart Record           | ANR (Automatic Network Replenishment), Dual-VCA  |
| ROI                    | Main stream, sub-stream, and third stream respectively support four fixed areas.   |
| Auto-Tracking          | Support  |
| <b>Image</b>           |  |
| Max. Resolution        | 1920 × 1080  |
| Main Stream            | 50Hz: 25fps (1920 × 1080, 1280 × 960, 1280 × 720)<br>50fps (1920 × 1080, 1280 × 960, 1280 × 720)<br>60Hz: 30fps (1920 × 1080, 1280 × 960, 1280 × 720)<br>60fps (1920 × 1080, 1280 × 960, 1280 × 720) |
| Sub-Stream             | 50Hz: 25fps (704 × 576, 640 × 480, 352 × 288)<br>60Hz: 30fps (704 × 480, 640 × 480, 352 × 240)   |
| Third Stream           | 50Hz: 25fps (1920 × 1080, 1280 × 960, 1280 × 720, 704 × 576, 640 × 480, 352 × 288)<br>60Hz: 30fps (1920 × 1080, 1280 × 960, 1280 × 720, 704 × 480, 640 × 480, 352 × 240)                             |
| Image Enhancement      | HLC/BLC/3D DNR/Defog/EIS/Regional Exposure/Regional Focus  |
| <b>Network</b>         |  |
| Network Storage        | Built-in memory card slot, support Micro SD/SDHC/SDXC, up to 256 GB; NAS (NPS, SMB/CIFS), ANR  |
| Alarm Linkage          | Alarm actions, such as Notify Surveillance Center, Upload to FTP, Send Email, Trigger Recording, Recording Linkage, and Alarm Input, etc.  |
| Protocols              | IPv4/IPv6, HTTP, HTTPS, 802.1x, Qos, FTP, SMTP, UPnP, SNMP, DNS, DDNS, NTP, RTSP, RTCP, RTP, TCP/IP, UDP, IGMP, ICMP, DHCP, PPPoE, Bonjour   |
| API                    | Open-ended, support ONVIF, ISAPI, and CGI, support HIKVISION SDK and Third-Party Management Platform   |
| Simultaneous Live View | Up to 20 channels  |
| User/Host              | Up to 32 users<br>3 levels: Administrator, Operator and User   |
| Security Measures      | User authentication (ID and PW), Host authentication (MAC address); HTTPS encryption; IEEE 802.1x port-based network access control; IP address filtering  |
| Client                 | iVMS-4200, iVMS-4500, iVMS-5200, Hik-Connect   |
| Web Browser            | IE 8 to 11, Chrome 31.0 to 44, Firefox 30.0 to 51  |
| <b>Interface</b>       |  |
| Alarm Interface        | 2-ch alarm input and 1-ch alarm output   |
| Audio Interface        | 1-ch audio input and 1-ch audio output   |
| Network Interface      | 1 RJ45 10 M/100 M Ethernet, Hi-PoE   |
| <b>General</b>         |  |
| Power                  | 24 VAC and Hi-PoE<br>Max.: 40 W (Max. 14 W for IR)   |
| Working Temperature    | -30°C to 65°C (-22°F to 149°F)   |
| Working Humidity       | ≤ 90%  |



|                  |  |
|------------------|--|
| Protection Level | IP66 Standard, TVS 4000V Lightning Protection, Surge Protection and Voltage Transient Protection |
| Material         | ADC 12, PC, PC+10%GF   |
| Dimensions       | Φ 220 mm × 353.4 mm (Φ 8.66" × 13.91")   |
| Weight           | Approx. 4.5 kg (9.92 lb)   |

**Available Model**

DS-2DE7232IW-AE, 24 VAC &amp; Hi-PoE

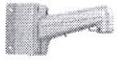
**Dimensions**



## Accessories



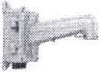
DS-1602ZJ Wall Mounting Bracket



DS-1602ZJ-corner Corner Mounting Bracket



DS-1602ZJ-pole Vertical Pole Mounting Bracket



DS-1602ZJ-box Wall Mounting Bracket with Junction Box



DS-1663ZJ Ceiling Mounting Bracket



DS-1661ZJ Pendant Mounting Bracket



DS-1662ZJ Pendant Mounting Bracket



DS-1619ZJ Gooseneck Mounting Bracket



DS-1100KI Network Keyboard



DS-1005KI USB Joy-stick

Distributed by



## HIKVISION

### Headquarters

No.555 Qianmo Road, Binjiang District,  
Hangzhou 310051, China  
T +86-571-8807-5998  
overseasbusiness@hikvision.com

**Hikvision USA**  
T +1-909-895-0400  
sales.usa@hikvision.com

**Hikvision Italy**  
T +39-0438-6902  
info.it@hikvision.com

**Hikvision Singapore**  
T +65-6684-4718  
sg@hikvision.com

**Hikvision South Africa**  
Tel: +27 (0) 0351172  
sale.africa@hikvision.com

**Hikvision Europe**  
T +31-23-55-42-770  
info.eu@hikvision.com

**Hikvision France**  
T +33(0)1-85-330-450  
info.fr@hikvision.com

**Hikvision Oceania**  
T +61-2-8599-4233  
salesau@hikvision.com

**Hikvision Hong Kong**  
T +852-2151-1761

**Hikvision Middle East**  
T +971-4-8816086  
salesme@hikvision.com

**Hikvision Spain**  
T +34-91-737-16-55  
info.es@hikvision.com

**Hikvision Canada**  
T +1-909-895-0400  
sales.usa@hikvision.com

**Hikvision Russia**  
T +7-495-669-67-99  
saleru@hikvision.com

**Hikvision Poland**  
T +48-22-460-01-50  
poland@hikvision.com

**Hikvision Korea**  
T +82-31-731-8941  
sales.korea@hikvision.com

**Hikvision India**  
T +91-22-28469900  
sales@pramahikvision.com

**Hikvision UK**  
T +01628-902140  
support.uk@hikvision.com

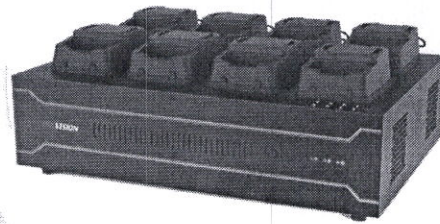
**Hikvision Brazil**  
T +55 11 3316  
Latam.su







## DS-MH4172I Series Desktop Dock Station



### Introduction

Desktop body camera dock station provides you a simplified way to access and back up law-enforcement data in Hikvision body camera.

### Available Model

DS-MH4172I

### Key Feature

- Charge body cameras.
- Simultaneously collect data from up to 8 body cameras.
- Obtain date, serial No., police ID, and remaining data of the body camera.
- (Optional) clear data in body camera after data is successfully collected.
- Log management.
- Data overwriting.
- Lock collected files to prevent it from being overwritten.
- In case data collection is suddenly broken off, dock station will resume data collection from the breakpoint at next collection.
- Search collected data by time, by file type, by device No., etc.
- The body camera cradles on the dock station can be changed according to the body camera model (DS-MH2211/DS-MH2311 by default).
- Embedded WEB server.





## Specification

|                        |  |  |
|------------------------|--|--|
| <b>Model</b>           | <b>DS-MH4172I</b>                        |  |
| <b>Data Collection</b> | <b>Average Speed</b>                     | 8 MB/s   |
|                        | <b>Dimension</b>                         | 400 × 300 × 110 mm (15.7 × 11.8 × 4.3")  |
| <b>Appearance</b>      | <b>Body Camera</b>                       | Up to 8 body cameras   |
|                        | <b>System indicator</b>                  | 1 × power indicator, 1 × HDD indicator, 1 × network connection indicator, 1 × network transmission indicator, 8 × status indicator |
|                        | <b>Button</b>                            | 1 × power switch, 1 × reset button   |
|                        | <b>CPU</b>                               | Quad core CPU  |
| <b>Hardware</b>        | <b>Memory</b>                            | 4 GB   |
|                        | <b>HDD</b>                               | 4 × 3.5 inch HDD. 2 TB to 6 TB for each HDD  |
|                        | <b>Charging Duration for Body Camera</b> | 4 to 5.5 hours   |
|                        | <b>Operation System</b>                  | Windows 10, 64-bit   |
|                        | <b>Power Consumption</b>                 | 200 W  |
|                        | <b>USB Interface</b>                     | 2 × USB 3.0 interface, 2 × USB 2.0 interface   |
| <b>Interface</b>       | <b>HDMI Interface</b>                    | 2  |
|                        | <b>Audio Input/output</b>                | 1/1  |
|                        | <b>VGA Interface</b>                     | 1  |
|                        | <b>Network Interface</b>                 | 2 × 10M/100M/1000M Ethernet interface  |
|                        | <b>Loudspeaker</b>                       | 2  |
| <b>General</b>         | <b>Weight</b>                            | Approx. 9 kg (19.8 lb)   |
|                        | <b>Working Temperature</b>               | -10 °C to +55 °C (+14 °F to +131 °F)   |
|                        | <b>Working Humidity</b>                  | 10% to 90%   |

Distrib

## HIKVISION

### Headquarters

No.555 Qianmo Road, Binjiang District,  
Hangzhou 310051, China  
T +86-571-8807-5998  
overseasbusiness@hikvision.com

**Hikvision USA**  
T +1-909-895-0400  
sales.usa@hikvision.com

**Hikvision Australia**  
T +61-2-8599-4233  
salesau@hikvision.com

**Hikvision India**  
T +91-22-28469900  
sales@pramahikvision.com

**Hikvision Canada**  
T +1-868-200-6690  
sales.canada@hikvision.com

**Hikvision Thailand**  
T +662-275-0949  
sales.thailand@hikvision.com

**Hikvision Europe**  
T +31-23-5542770  
sales.eu@hikvision.com

**Hikvision Italy**  
T +39-0438-6902  
info.it@hikvision.com

**Hikvision Brazil**  
T +55 11 3318-0050  
Latam.support@hikvision.com

**Hikvision Turkey**  
T +90 (216)521 7070- 7074  
sales.tr@hikvision.com

**Hikvision Malaysia**  
T +601-7652-2413  
sales.my@hikvision.com

**Hikvision UK & Ireland**  
T +01628-902140  
sales.uk@hikvision.com

**Hikvision South Africa**  
Tel. +27 (10) 0351172  
saie.africa@hikvision.com

**Hikvision France**  
T +33(0)1-85-330-450  
info.fr@hikvision.com

**Hikvision Kazakhstan**  
T +7-727-9730667  
nikia.pantilov@hikvision.ru

**Hikvision Vietnam**  
T +84-974270888  
sales.vt@hikvision.com

**Hikvision UAE**  
T +971-4-4432090  
salesme@hikvision.com

**Hikvision Singapore**  
T +65-6684-4718  
sg@hikvision.com

**Hikvision Spain**  
T +34-91-737-16-55  
info.es@hikvision.com

**Hikvision Tashkent**  
T +99-87-1238-9438  
uzb@hikvision.ru

**Hikvision Hong Kong**  
T +852-2151-1761  
info.hk@hikvision.com

**Hikvision Russia**  
T +7-495-669-67-09  
saleru@hikvision.com

**Hikvision Korea**  
T +82-[0]31-731-8817  
sales.korea@hikvision.com

**Hikvision Poland**  
T +48-22-460-01-50  
info.pl@hikvision.com

**Hikvision Indonesia**  
T +62-21-2933759  
Sales.Indonesia@hikvision.com

**Hikvision Colombia**  
sales.colombia@hikvision.com



# HIKVISION®



## ПАСПОРТ ИЗДЕЛИЯ

6 Мп уличная цилиндрическая IP-камера

с EXIR-подсветкой до 80 м

DS-2CD2T63G0-I8

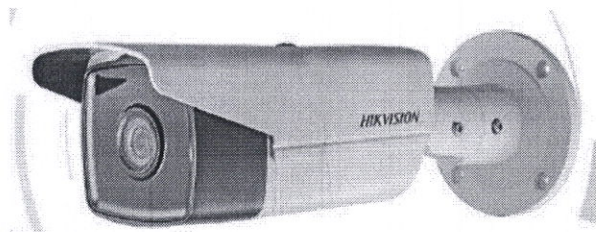


[www.hikvision.ru](http://www.hikvision.ru)





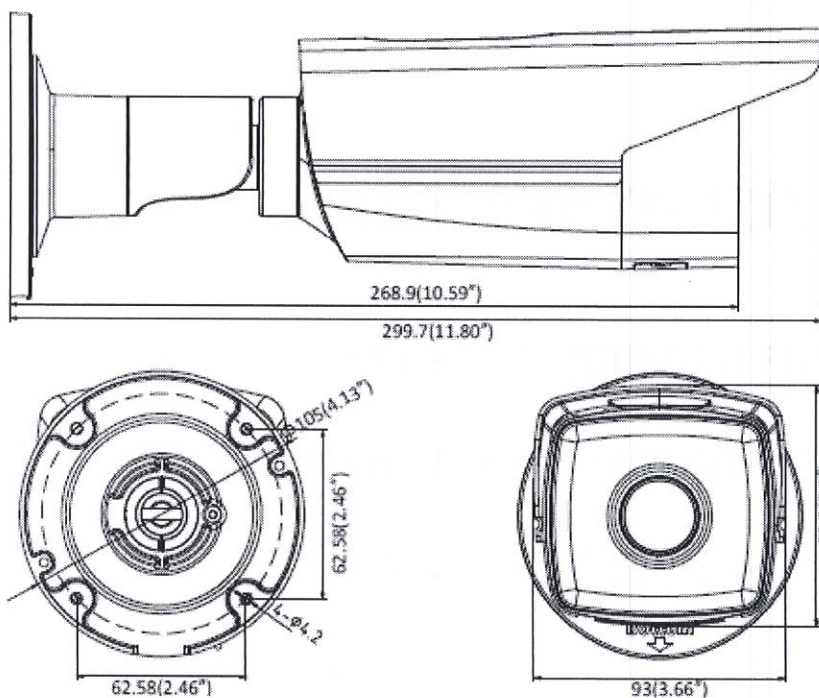
## DS-2CD2T63GO-18



### Общая информация

- Разрешение 6Мп
- 1/2.9" Progressive Scan CMOS
- 3072 × 2048@20 fps
- Фиксированный объектив
- Цвет: 0.01 люкс @(F1.2, AGC вкл), 0.028 люкс @(F2.0, AGC вкл.), ИК: 0 люкс
- H.265+, H.265, H.264+, H.264
- 2 вида анализа поведения
- 120дБ WDR
- BLC/3D DNR/ROI/HLC
- IP67
- Встроенный слот для карт SD/SDHC/SDXC до 128Гб

### Размеры



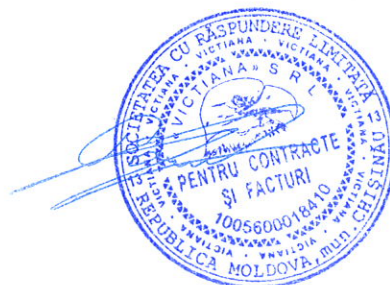
\*Изображения и спецификации могут быть изменены без дополнительного уведомления.

\*За подробной информацией обращайтесь к вашему персональному менеджеру



## Спецификации

|                               |   |
|-------------------------------|---|
|                               | <b>DS-2CD2T6360-I8</b>  |
| Камера                        |   |
| Матрица                       | 1/2.9" Progressive Scan CMOS  |
| Чувствительность              | Цвет: 0.01лк@(F1.2,AGC вкл.), 0.028лк@(F2.0,AGC вкл.), 0лк с ИК   |
| Скорость электронного затвора | 1/3с ~ 1/100,000с, поддержка медленного затвора   |
| Автоматическая диафрагма      | Нет   |
| Режим "день/ночь"             | Механический ИК-фильтр  |
| Цифровое подавление шума      | 3D DNR  |
| WDR                           | 120дБ   |
| Регулировка угла установки    | Поворот: 0° - 360°; наклон: 0° - 100°; вращение: 0° - 360°  |
| Объектив                      |   |
| Объектив                      | 2,8мм, 4мм  |
| Диафрагма                     | F2.0  |
| Фокусировка                   | Фиксированный   |
| Угол обзора объектива         | 2,8мм: По горизонтали: 97°, по вертикали: 63°, по диагонали: 120°<br>4мм: По горизонтали: 78°, по вертикали: 50°, по диагонали: 97° |
| Крепление объектива           | M12   |
| ИК                            |   |
| Дальность ИК подсветки        | До 80м  |
| Длина волны                   | 850нм   |
| Сжатие                        |   |
| Видеосжатие                   | Основной поток: H.265/H.264<br>Дополнительный поток: H.265/H.264/MJPEG<br>Третий поток: H.265/H.264                                 |
| Профиль H.264                 | Main Profile/High Profile   |
| H.264+                        | Main stream supports  |
| Профиль H.265                 | Main Profile  |
| H.265+                        | Main stream supports  |

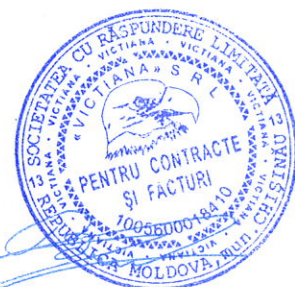




|  |  |
|--|--|
| Битрейт видео  | 256 кб/с– 16 Мб/с  |
| Аудиосжатие  | G.711/G.722.1/G.726/MP2L2/PCM  |
| Битрейт аудио  | 64Кбит/с(G.711)/ 16Кбит/с(G.722.1)/ 16Кбит/с(G.726)/ 32-192Кбит/с(MP2L2)   |
| <b>Smart видеоаналитика</b>  |  |
| Анализ поведения   | Пересечение линии, обнаружение вторжения   |
| Определение лица   | Есть   |
| Зона наблюдения  | Поддержка 1 фиксированной зоны для основного и дополнительного потока  |
| <b>Изображение</b>   |  |
| Максимальное разрешение  | 3072 × 2048  |
| Основной поток   | 50Hz: 12.5 fps (3840 × 2160), 20fps (3072 × 1728), 25 fps (2560 × 1440, 1920 × 1080, 1280 × 720)<br>60Hz: 15 fps (3840 × 2160), 20fps (3072 × 1728), 30 fps (2560 × 1440, 1920 × 1080, 1280 × 720) |
| Дополнительный поток   | 50Hz: 25fps (640 × 480, 640 × 360, 320 × 240)<br>60Hz: 30fps (640 × 480, 640 × 360, 320 × 240)   |
| Третий поток   | 50Hz: 25fps (1280 × 720, 640 × 360, 352 × 288)<br>60Hz: 30fps (1280 × 720, 640 × 360, 352 × 240)   |
| Кадрирование цели  | Нет  |
| Настройки изображения  | Насыщенность, яркость, контраст, резкость, зеркалирование и маска приватности настраиваются через клиентское ПО или веб-браузер  |
| Улучшение изображения  | BLC/3D DNR/HLC   |
| Переключение "день ночь"   | День/ночь/авто/по расписанию/по тревоге  |
| * Примечание: При разрешении основного потока 2944 × 1656 и выше максимальная частота кадров для всех потоков составляет 20fps |  |
| <b>Сеть</b>  |  |
| Сетевое хранение   | Поддержка карт Micro SD/SDHC/SDXC до 128Гб, локальное хранение NAS (Поддержка NFS,SMB/CIFS), ANR   |
| Срабатывание тревоги   | Обнаружение движения, повреждение видео разрыв сети, конфликт IP-адресов, несанкционированный доступ, заполнение памяти диска, ошибки хранилища  |
| Протоколы  | TCP/IP, ICMP, HTTP, HTTPS, FTP, DHCP, DNS, DDNS, RTP, RTSP, RTCP, PPPoE, NTP, UPnP™, SMTP, SNMP, IGMP, 802.1X, QoS, IPv6, Bonjour  |
| Общие функции  | Сброс одной кнопкой, антимерцание, три потока, пульсация, зеркалирование, защита паролем, маска конфиденциальности, водяные знаки, фильтр по IP-адресам  |
| Версия прошивки  | V5.5.52  |
| API  | ONVIF (PROFILE S, PROFILE G), ISAPI  |
| Одновременный показ в реальном времени   | До 6 каналов   |
| Пользователь/хост  | До 32 пользователей, 3 уровня – администратор, оператор и пользователь   |
| Клиент   | iVMS-4200, Hik-Connect, iVMS-5200, iVMS-4500   |
| Веб-браузер  | IE8+, Chrome 31.0-44, Firefox 30.0-51, Safari 8.0+   |
| <b>Интерфейсы</b>  |  |



|                        |  |
|------------------------|--|
| Сетевой интерфейс      | 1 RJ45 10M/100M самонастраивающийся Ethernet порт  |
| Видеовыход             | Нет  |
| Локальное хранилище    | Слот для microSD/SDHC/SDXC до 128 Гб   |
| SVC                    | Поддержка декодирования H.264 и H.265  |
| Кнопка сброса настроек | Есть   |
| Основное               |  |
| Питание                | DC12В ± 25%/коаксиальный разъём питания Ø 5.5мм<br>PoE(802.3af, class 3)                       |
| Потребляемая мощность  | 12В, 0.9А, макс. 10Вт<br>PoE (802.3af, 36В до 57В), 0.4А до 0.2А макс. 12Вт                    |
| Рабочие условия        | -40 °С...+60 °С, влажность 95% или меньше (без конденсата)                                     |
| Защита                 | IP67   |
| Материал корпуса       | Металл   |
| Размеры                | Камера: Ø 104.8 × 299. мм (Ø 4.1" × 11.8")<br>Коробка: 386 × 156 × 155мм (15.2" × 6.1" × 6.1") |
| Масса                  | Брутто: 1200гр. (2,7 фунта)  |



## Правила эксплуатации

1. Устройство должно эксплуатироваться в условиях, обеспечивающих возможность работы системы охлаждения. Во избежание перегрева и выхода прибора из строя не допускается размещение рядом с источниками теплового излучения, использование в замкнутых пространствах (ящик, глухой шкаф и т.п.). Рабочий диапазон температур от -40 до +60 (°C).
2. Все подключения должны осуществляться при отключенном электропитании.
3. Запрещена подача на входы устройства сигналов, не предусмотренных назначением этих входов – это может привести к выходу устройства из строя.
4. Не допускается воздействие на устройство температуры свыше +60 °C, источников электромагнитных излучений, активных химических соединений, электрического тока, а также дыма, пара и других факторов, способствующих порче устройства. Не допускается воздействие прямых солнечных лучей непосредственно на матрицу видеокамеры.
5. Конфигурирование устройства лицом, не имеющим соответствующей компетенции, может привести к некорректной работе, сбоям в работе, а также к выходу устройства из строя.
6. Не допускаются падения и сильная тряска устройства.
7. Рекомендуется использование источника бесперебойного питания, во избежание воздействия скачков напряжения или нештатного отключения устройства.

Для получения информации об установке и включении устройства, пожалуйста, обратитесь к Краткому руководству пользователя этого устройства.



# 8 Ports 100Mbps+2 Gigabit uplink PoE Switch

802.3af/at, 6kv Lightning, Three modes

# UTEPO

Datasheet : VER2.0

## SF10P-HM



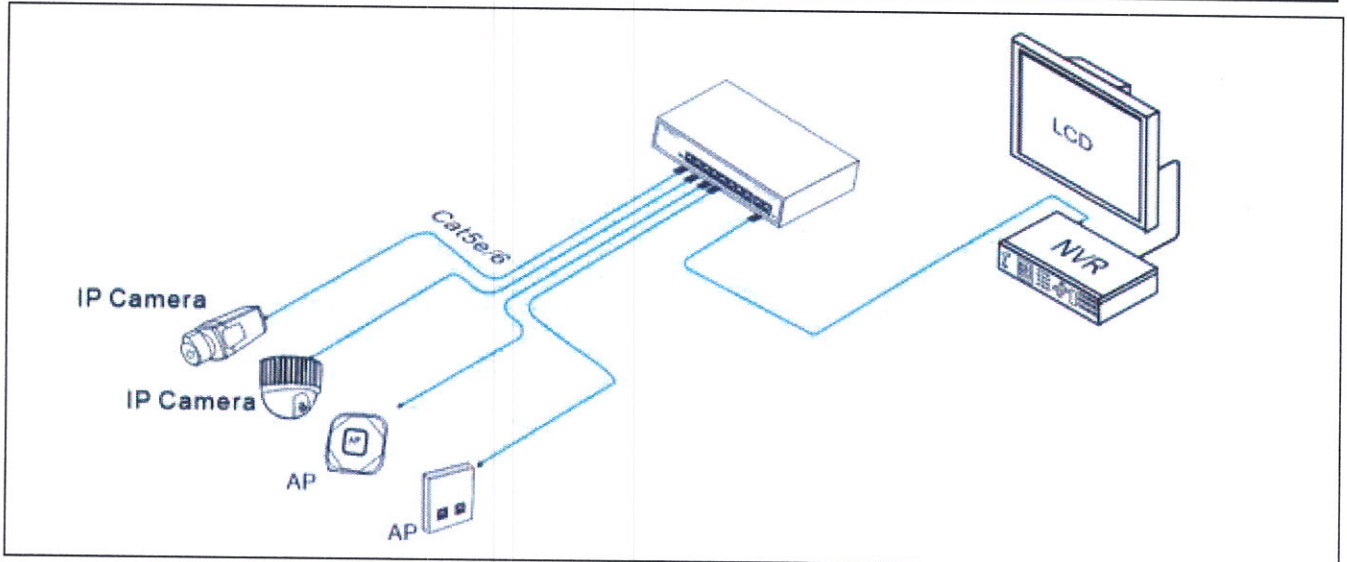
- Main Function: Provide 8\*10/100Base-T Ethernet ports(PoE) , 2\*10/100/1000Base-T uplink Ethernet ports;
- Compliance with standards: IEEE802.3 , IEEE802.3u, IEEE802.3ab, IEEE802.3z, IEEE802.3x, IEEE802.3af/at;
- PoE Power Display: 8 ports support LED display PoE working status. whole machine reaches 110W PoE power output;
- One-key Smart: Support three kinds of working modes (Default, VLAN, CCTV);
- Protection: Support 6KV surge immunity, EFT testing standard;
- Operation Environment: Support -10°C~50°C wide-temperature;



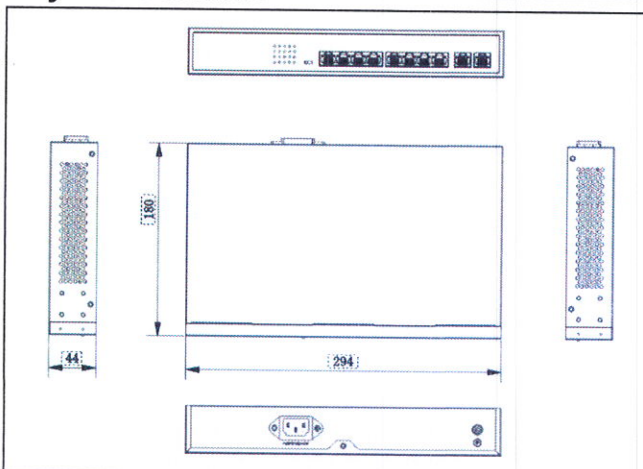
## Introduction

The 8 ports PoE Ethernet Switch with 8 downlink PoE ports and double 100Mbps uplink ports is a security surveillance Ethernet Switch which is applied in high definition network surveillance and security system. The product fully combines the characteristics of security surveillance, Besides, the 8 downlink PoE ports support IEEE802.3af/at standard, The ESD, 6KV lightning protection and surge protection circuits improve product stability. Also the device supports one key CCTV mode which realizes VLAN function, restrains the network storm, protects the information security, prevents the virus spread and cyber attack, fully satisfies the Ethernet video security surveillance system and Ethernet projects needs.

## Application



## Physical Features



## Interface drawing







**Specification**

| Model                    | SF10P-HM   |
|--------------------------|--|
| Downstream Ports         | 8* 10/100Base-T (PoE)  |
| Uplink Ports             | 2x 10/100/1000Base-T Ethernet Ports                                  |
| Network Standard         | IEEE802.3、IEEE802.3u、IEEE802.3ab、IEEE802.3x                          |
| Switch Capacity          | 5.6Gbps  |
| Throughput               | 4.0544Mpps   |
| Switch Processing Scheme | Store and Forward  |
| Memory Buffer            | 4M   |
| MAC Table                | 16K  |
| PoE Standard             | 802.3af/at(PSE)  |
| PsE Type                 | End-span   |
| Power Pin Assignment     | 1/2(+), 3/6(-)   |
| PoE Power Output         | 54V DC , 30 watts max  |
| PoE Budge                | 110 watts max  |
| PoE power display        | Support 8 LED digital tube to display machine PoE power usage        |
| One-key Smart            | Default: All ports are free to communicate                           |
|                          | CCTV: The further transmission distance up to 250m                   |
|                          | VLAN: The downs ports are isolated from each other                   |
| Lightning protection     | 6KV Execute : IEC61000-4-5   |
| ESD                      | 6KV Contact discharge<br>8KV Air discharge<br>Execute : IEC61000-4-2 |
| Power Supply             | AC 100V~240V   |
| Power Dissipation        | <120W (Include PoE)  |
| Work temperature         | -10°C~50°C   |
| Storage temperature      | -40°C~85°C   |
| Humidity(Non-condensin)  | 5%-95%   |
| Dimension ( L×W×H )      | 294mm×180mm×44mm   |
| Weight                   | 1Kg  |
| Regulator                | CE、FCC、ROHS  |

**Package List**

| Designation    | Quantity |
|----------------|----------|
| SF10P-HM       | 1        |
| AC Power Cable | 1        |
| User Manual    | 1        |



**Related Products**

| Designation                                  | Model    |
|--|----------|
| 16 Ports 100Mbps+2 Gigabit uplink PoE Switch | SF18P-LM |
| 24 Ports 100Mbps+2 Gigabit uplink PoE Switch | SF26P-LM |





## DS-1005KI USB Keyboard with Joystick



### Features

- Power Supply and Communication by USB Port Directly
- 3D PTZ Control and 2 Joystick Control Buttons
- Up to 15 Programmable Buttons Are Available
- Supports Digital Tube To Display the Input Content
- Indicators Show Keyboard's Operation Status
- Compatible with Various Client and Platform Software
- Supports USB HID Protocol

### Overview

DS-1005KI is a USB keyboard that can be accessed directly by the client software, iVMS Series platform software, DVR and PC-DVR, and can realize functions such as windows switching, PTZ control, picture capture, recording, etc.

DS-1005KI is compatible with the attached USB joystick via USB HID protocol, and can access third-party platform software. It provides ample programmable buttons for setting custom functions and has the advantage of a simple interface and easy operation.

### Order Model

DS-1005KI

| DS-1005KI             |  |
|-----------------------|--|
| Compatible System     | Windows XP/7/8/8.1                                 |
| Interface Type        | USB 2.0, DirectX                                   |
| Control               | Joystick (3-axis control, rotating zoom)           |
| Dimensions            | 167 mm x 177.5 mm x 116 mm (6.57" x 6.99" x 4.57") |
| Operating Temperature | -10° C to +55° C                                   |
| Operating Humidity    | 10% to 90% (non-condensing)                        |
| Power Supply          | 5 VDC via USB                                      |
| Consumption           | ≤ 5 W  |

### Typical Application

