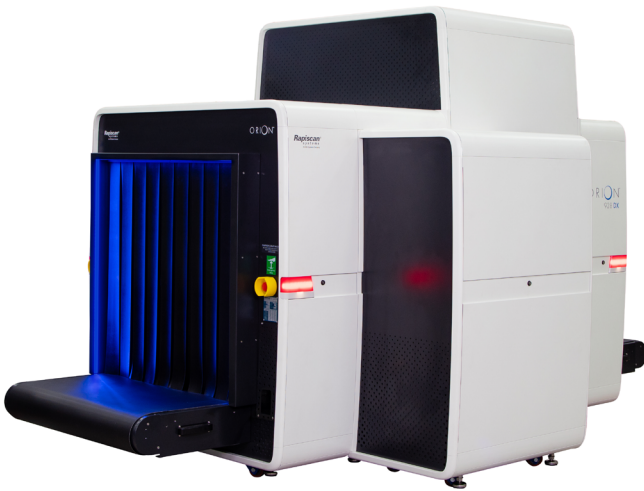


DATASHEET



The new 928DX is a High Performance 1010mm by 1010mm tunnel low conveyor dual view screening system with superb image quality and excellent threat detection alert capabilities.

SUPERB IMAGE QUALITY

EXPLOSIVES & NARCOTICS DETECTION

LOW DENSITY IMAGE ENHANCEMENT

MATRIXING, NETWORKING & REMOTE VIEWING



SPECTRUM 4-COLOR IMAGING

928DX now can exhibit images in the Classic 4-color and the new proprietary Spectrum 4-color (SP4) option providing superior image, allowing improved security by quick and accurate identification of threats and increase in throughput.

EXPLOSIVES AND NARCOTICS DETECTION

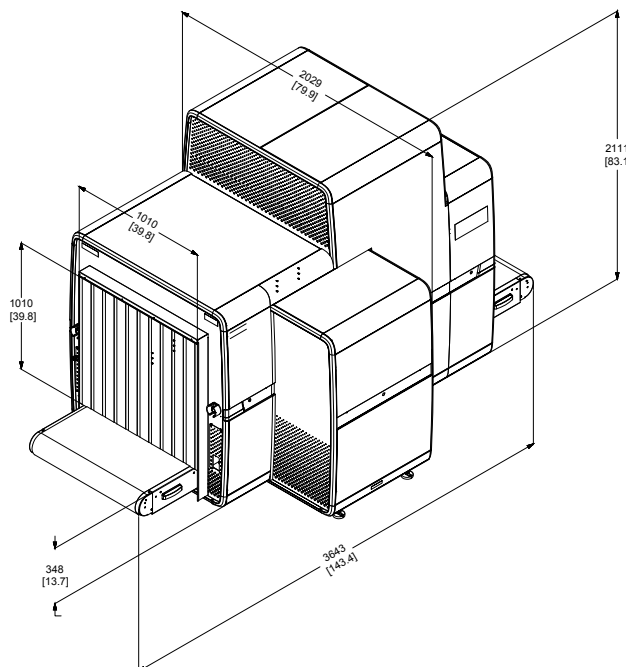
Target and NARCScan are designed to detect a wide range of explosives and narcotics respectively in real time during the scanning process by marking a potential threat on the X-ray image. Rapiscan[®] Systems detection algorithms are based on regulatory approved material analysis techniques.

DUAL MODE AUTO Z_{EFF}

The new dual mode Z_{eff} feature helps with identification of organic materials accurately and quickly either in Range mode which highlights the areas based on range selected by the operator, and/or in Interactive mode which provides the operator the option to display the areas based on the value of the pixel.

EUROPEAN AVIATION COMPLIANCE

928DX performance is in full compliance with the mandatory regulations (EC) No. 300/2008, (EC) Implementing Regulation 1998/2015 and update 815/2017, EC Implementing Decision 8005/2015 and update 3030/2017 for aviation security in the European Union.



PHYSICAL SPECIFICATIONS ¹

DIMENSIONS	L	3,643 mm (143.4 in)
	W	2,029 mm (79.9 in)
	H	2,111 mm (83.1 in)
TUNNEL SIZE	W	1,010 mm (39.8 in)
	H	1,010 mm (39.8 in)
CONVEYOR HEIGHT		348 mm (13.7 in)
CONVEYOR LOAD ¹		200 Kg (441 lbs)
GROSS WEIGHT		2,105 Kg (4,640 lbs)
WEIGHT (NET)		1,657 Kg (3,653 lbs)

ENVIRONMENT & POWER

STORAGE	
TEMPERATURE	-20°C to 50°C
OPERATING	
TEMPERATURE	0°C to 40°C
RELATIVE HUMIDITY	5 to 95% non-condensing
SYSTEM POWER	100/110/120/200/208 /220/230/240 VAC ±10%

X-RAY GENERATOR

ANODE VOLTAGE	160kV
ORIENTATION	Diagonally Downward & Horizontal

STANDARD SPEED PERFORMANCE ²

CONVEYOR SPEED	0.20 m/sec (39.4 ft/min)
POWER	1.3 kW
STEEL PENETRATION	38 mm typical, 37 mm standard
WIRE RESOLUTION	40 AWG typical, 38 AWG standard
SPATIAL RESOLUTION	1.3 mm (0.05 in) Vertical / Horizontal

HIGH SPEED PERFORMANCE ²

CONVEYOR SPEED	0.35 m/sec (68.9 ft/min)
POWER	1.3 kW
STEEL PENETRATION	36 mm typical, 35 mm standard
WIRE RESOLUTION	40 AWG typical, 38 AWG standard
SPATIAL RESOLUTION	1.3 mm (0.05 in) Vertical / Horizontal

HYPER SPEED PERFORMANCE ²

CONVEYOR SPEED	0.5 m/sec (98.4 ft/min)
POWER	1.3 kW
STEEL PENETRATION	36 mm typical, 35 mm standard
WIRE RESOLUTION	40 AWG typical, 38 AWG standard
SPATIAL RESOLUTION	1.3 mm (0.05 in) Vertical / Horizontal

KEY FEATURES AND OPTIONS

- Explosive threats, narcotics & density alerts
- Spectrum 4
- 17 Image processing functions
- SINERGY low density enhancement
- Dual Mode Z-effective
- CrystalClear™
- Automatic, Enhanced Image Archiving
- E.U. Approved Threat Image Projection
- Remote Status Monitoring
- Remote Archive Review
- Multi-System Alarm Resolution Network
- Multiplexing and Matrixing
- 13 Languages
- 64-bit Operating System

GOVERNMENT REGULATORY

- Regulation (EC) No. 300/2008 Compliant
- Regulation (EU) No. 185/2010 Compliant
- EU Commissions Decision C(2010) 774 Compliant
- U.K Department for Transport (DfT) TIP Approved



64-bit Operating System

info@rapiscansystems.com

www.rapiscansystems.com



An OSI Systems Company

1. Approximate Values 2. Stated performance as measured by Rapiscan® Imaging Validation Test Kit

Rapiscan® Systems is ISO 9001:2015 Certified

Rapiscan® Systems' cabinet X-ray products comply with all applicable U.S. FDA and equivalent international regulatory agency requirements, contained in the cabinet X-ray radiation safety performance standard [21 CFR 1020.40] and the general performance standard [21 CFR Part 1010] as well as IEC standard 61010-2-091. Rapiscan® baggage and parcel inspection systems radiation emission leakages are well below the required regulatory limits with less than 1µSv/hr at 10 cm from all surfaces of cabinet X-ray.

With continual development of our products Rapiscan® Systems reserves the right to amend specifications without notice. Product pictures are for general reference. Please note that due to US laws and regulations, not all Rapiscan® products are available for sale in all countries without restriction. Please contact your Rapiscan® Systems sales representative for more information.