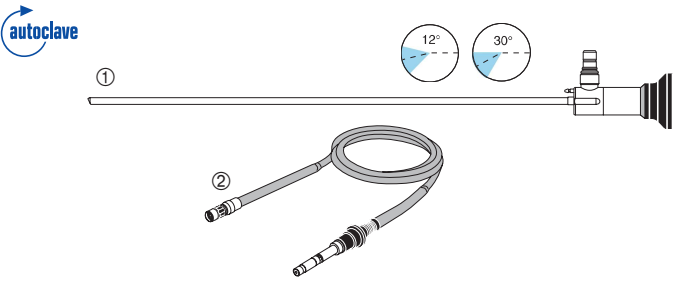
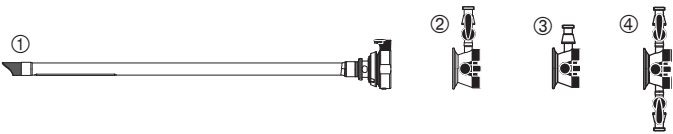


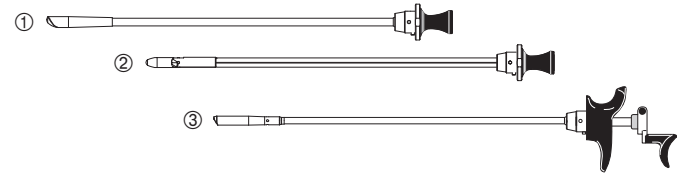
Telescopes


①	WA2T412A	Telescope "OES ELITE", 4 mm, HD, autoclavable, 12°
	WA2T430A	Telescope "OES ELITE", 4 mm, HD, autoclavable, 30°
②	WA03300A	Light-guide cable, 2.8 mm, 3 m, CF type

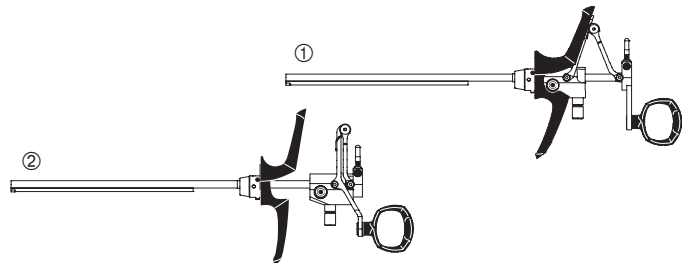
For details on "OES ELITE" Telescopes, see page 57.

Resection Sheaths


	24 Fr.	26 Fr.	28 Fr.	
①	A22041A	A22042A	-	Resection sheath, without irrigation port, incl. standard obturator
	A22041T	A22042T	-	Resection sheath, without irrigation port, incl. obturator with deflecting tip
②	A22051A	A22051A	A22051A	Irrigation port, for resection sheaths, 1 stopcock, rotatable
	A22054A	A22054A	A22054A	Irrigation port, for resection sheaths, 1 vertical stopcock, fixed
③	A22052A	A22052A	A22052A	Irrigation port, for resection sheaths, 1 Luer-lock connector, rotatable
④	A22053A	A22053A	A22053A	Irrigation port, for resection sheaths, 2 stopcocks, rotatable

Obtulators


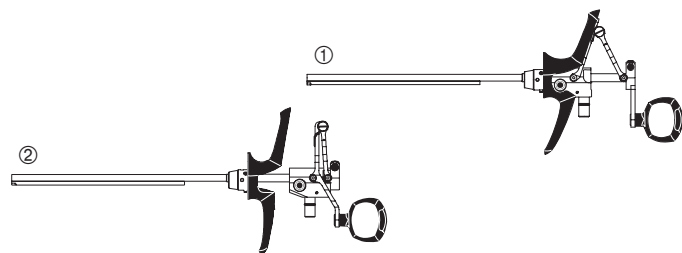
	26 Fr.	27 Fr.	
①	A22081A	A22082A	Obturator, standard
②	A22085A	A22086A	Obturator, deflecting tip
③	A22071A	A22072A	Obturator, optical

PLASMA


①	WA22366A	Working element, active, for resection in saline
②	WA22367A	Working element, passive, for resection in saline

For PLASMA resection electrodes and HF cable, see page 65 and 66.

For PK Technology PLASMA resection electrodes with cables, see page 73.

Monopolar


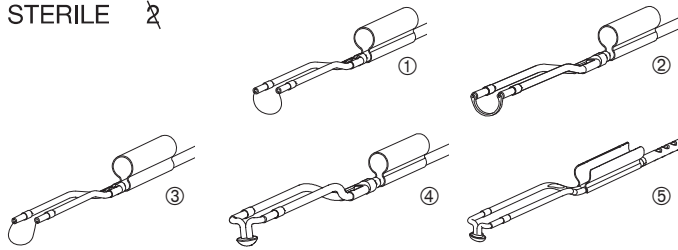
①	WA22066A	Working element, active
②	WA22067A	Working element, passive

For monopolar HF resection electrodes and HF cables, see page 77 and 78.

ESG PLASMA Electrodes

**24 Fr. Sterile, Single-Use
26 Fr. HF-Resection Electrodes
27 Fr.**

STERILE

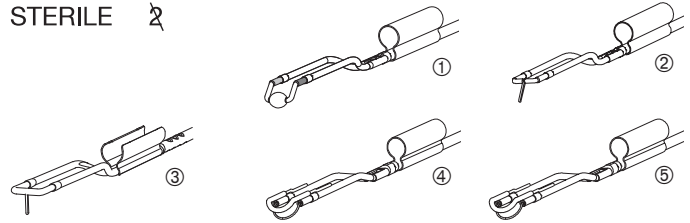


- ① **WA22301S** HF-resection electrode "PlasmaLoop", small loop, 24 Fr., 12°/16°, in saline
- WA22302D** HF-resection electrode, loop, 24 Fr., 0.2 wire, medium, 12°, sterile, single use, 12 pcs., for TURis
- WA22503D** HF-resection electrode, loop, 24 Fr., 0.2 wire, large, 12°, sterile, single use, 12 pcs., for TURis
- WA22305S** HF-resection electrode "PlasmaLoop", small loop, 24 Fr., 12°-30°, in saline
- WA22306D** HF-resection electrode, loop, 24 Fr., 0.2 wire, medium, 30°, sterile, single use, 12 pcs., for TURis
- WA22507D** HF-resection electrode, loop, 24 Fr., 0.2 wire, large, 30°, sterile, single use, 12 pcs., for TURis
- ② **WA22521C** HF-resection electrode, band, 24 Fr., medium, 12°, sterile, single use, 12 pcs., for TURis
- WA22523C** HF-resection electrode, band, 24 Fr., medium, 30°, sterile, single use, 12 pcs., for TURis
- ③ **WA22332D** HF-resection electrode, loop, 24-28 Fr., 0.2 wire, medium, 45° angled, 12° and 30°, sterile, single use, 12 pcs., for TURis
- ④ **WA22557C** HF-resection electrode, button, 24-28 Fr., 12° and 30°, sterile, single use, 12 pcs., for TURis
- ⑤ **WA22566S** HF-resection electrode "Plasma-OvalButton", oval button, 24 Fr., 12°-30°, in saline

S = 5 pcs.
C/D = 12 pcs.

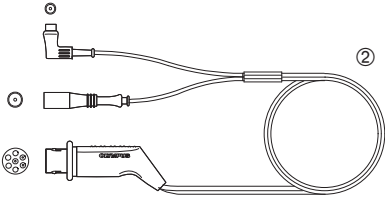
**24 Fr. Sterile, Single-Use
26 Fr. HF-Resection Electrodes
27 Fr. (cont.)**

STERILE

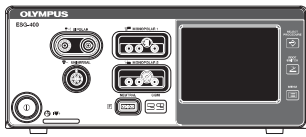


- ① **WA22351C** HF-resection electrode, roller, 24-28 Fr., 12° and 30°, sterile, single use, 12 pcs., for TURis
 - For coagulation only
- ② **WA22355C** HF-resection electrode, 45° needle, 24-28 Fr., 12° and 30°, sterile, single use, 12 pcs., for TURis
- ③ **WA22540S** HF-resection electrode "PlasmaNeedle", right-angled needle, 24 Fr., 12°-30°, in saline
- ④ **WA22558C** HF-resection electrode, loop, 24-28 Fr., 45° angled, 12° and 30°, sterile, single use, 12 pcs., for TURis enucleation
- ⑤ **WA22559S** HF-resection electrode "Plasma-TUEBLoop", loop, TUEB, 24 Fr., 12°-30°, in saline

S = 5 pcs.
C = 12 pcs.

HF Cable


- ② **WA00014A** HF cable, bipolar, for ESG-400 / ESG-410 SALINE mode

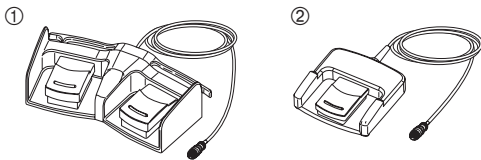
ESG-400


- WB91051W** ESG-400 (ROW)

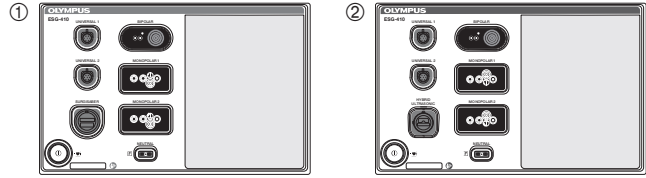
Delivery includes:

ESG-400, foot switch WB50402W
Power cable must be ordered separately.

For ESG-400, see page 545.

Foot Switches for ESG-400


- ① **WB50402W** Foot switch, double pedal
② **WB50403W** Foot switch, single pedal

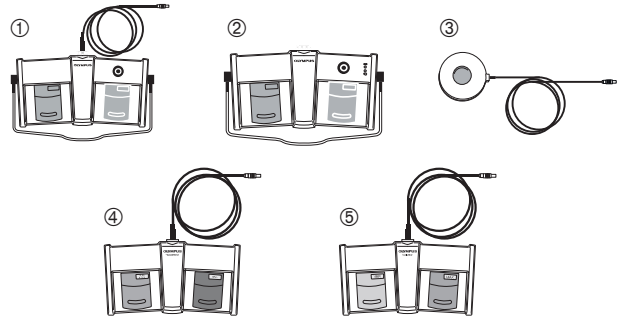
ESG-410


- ① **WA91307W** ESG-410 ElectroSurgical Generator (EU & ROW)
② **WA91327W** ESG-410 ElectroSurgical Generator

Delivery includes:

ESG-410
Foot switches and power cable must be ordered separately.

For ESG-410, see page 547.

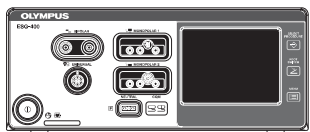
Foot Switches for ESG-410


- ① **WA91301W** Foot switch, double pedal
② **WA91302W** Foot switch, double pedal, wireless
③ **WA91303W** Foot switch, single pedal
④ **WA91311W** Foot switch, double pedal, THUNDERBEAT
⑤ **WA91321W** Foot switch, double pedal, SONICBEAT

ESG PLASMA Electrodes

with sterile cable

ESG-400



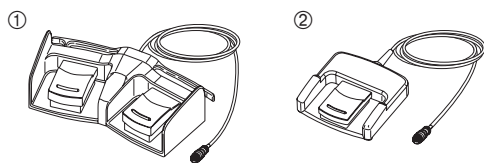
WB91051W ESG-400 (ROW)

Delivery includes:

ESG-400, foot switch WB50402W
Power cable must be ordered separately.

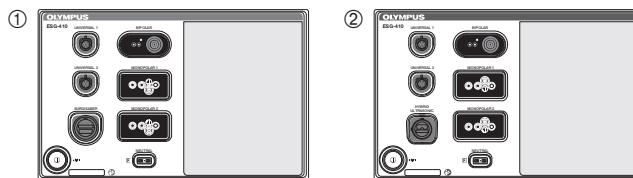
For ESG-400, see page 545.

Foot Switches for ESG-400



- ① **WB50402W** Foot switch, double pedal
- ② **WB50403W** Foot switch, single pedal

ESG-410



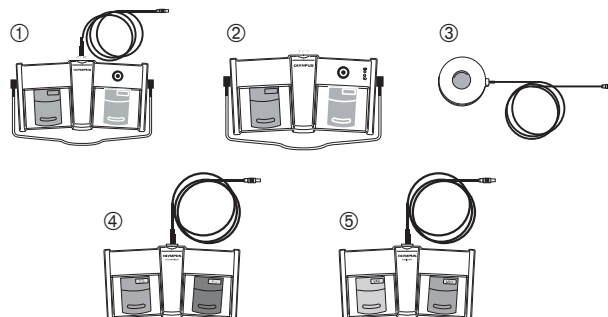
- ① **WA91307W** ESG-410 Electrosurgical Generator (EU & ROW)
- ② **WA91327W** ESG-410 Electrosurgical Generator

Delivery includes:

ESG-410
Foot switches and power cable must be ordered separately.

For ESG-410, see page 547.

Foot Switches for ESG-410



- ① **WA91301W** Foot switch, double pedal
- ② **WA91302W** Foot switch, double pedal, wireless
- ③ **WA91303W** Foot switch, single pedal
- ④ **WA91311W** Foot switch, double pedal, THUNDERBEAT
- ⑤ **WA91321W** Foot switch, double pedal, SONICBEAT

Rotatable Continuous Flow

Resectoscope Monopolar,
Recommended Set: 26 Fr.



Recommended Set



Alternatives



Options

Telescope

WA2T412A 1x Telescope, 4 mm, autoclavable, 12°

WA2T430A 1x Telescope, 4 mm, autoclavable, 30°

WA2T470A 1x Telescope, 4 mm, autoclavable, 70°

Light-Guide Cable

WA03300A 1x Light-guide cable

Resection Sheaths

A22040A 1x Inner sheath, standard obturator

A22040T 1x Inner sheath, obturator with deflecting tip

A22021A 1x Outer sheath, 27 Fr.

A22026A 1x Outer sheath, 26 Fr.

A22041A 1x Inner sheath, 24 Fr.

Working Elements

WA22066A 1x Working element, active

WA22067A 1x Working element, passive

A0392 1x HF cable, monopolar, ESG-410, ESG-400, Erbe T series, Berchtold

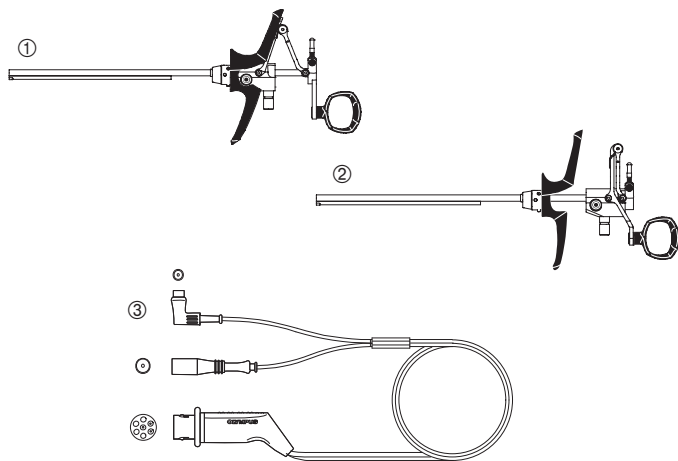
A22041A 1x Inner sheath, standard obturator

A22021A 1x Outer sheath, 27 Fr.

Long Resectoscope

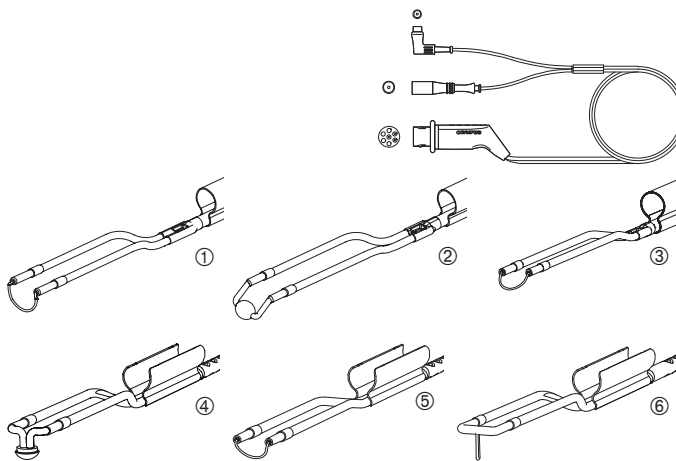
OES Pro
(cont.)

PLASMA Working Elements



- ① **WA22366A** Working element, for resection in saline, active
- ② **WA22367A** Working element, for resection in saline, passive
- ③ **WA00014A** HF cable, bipolar, for ESG-400 / ESG-410 SALINE mode

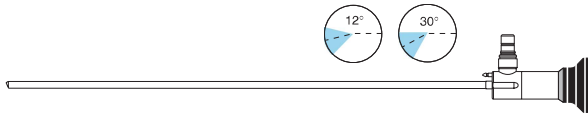
ESG PLASMA Electrodes



- ① **WA22537D** HF-resection electrode, loop, 24 Fr., 0.2 wire, medium, 12°, long, sterile, single use, 12 pcs., for TURis
- ② **WA22538C** HF-resection electrode, roller, 24-28 Fr., 12° and 30°, long, sterile, single use, 12 pcs., for TURis
- ③ **WA22539D** HF-resection electrode, loop, 24-28 Fr., 0.2 wire, medium, 45° angled, 12° and 30°, long, sterile, single use, 12 pcs., for TURis
- ④ **WA22541S** HF-resection electrode "Plasma-OvalButton", long oval button, 24 Fr., 12°-30°, in saline
- ⑤ **WA22542S** HF-resection electrode "PlasmaLoop", long small loop, 24 Fr., 12°-30°, in saline
- ⑥ **WA22544S** HF-resection electrode "PlasmaNeedle", long right-angled needle, 24 Fr., 12°-30°, in saline

12 pieces, sterile, single use

Please refer to your local registration for availability.

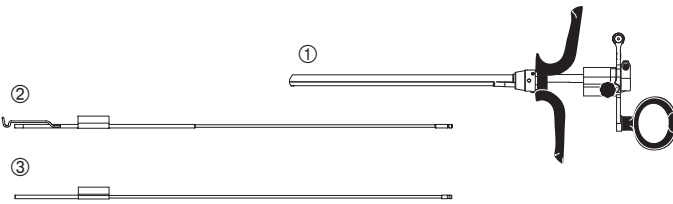
Telescopes

WA2T412A Telescope "OES ELITE", 4 mm, HD, autoclavable, 12°

WA2T430A Telescope "OES ELITE", 4 mm, HD, autoclavable, 30°

Delivery includes:

protective tube WA2P400A

For light-guide cables and adapters, see page 98.

Working Element

① A22065A Working element, for probes

① Technical Data

 Diameter of working channel 6 Fr.
 Minimal length of injection needle 350 mm
 Recommended maximum diameter of laser probes 1.2 mm

② A00561A Guiding tube, for probes, with retractor

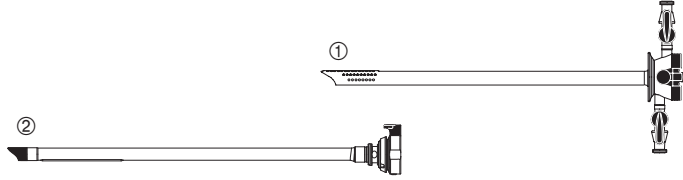
- For laser fibres up to 550 micron

③ A00562A Guiding tube, for probes, without retractor

- For laser fibres up to 550 micron

② ③ Technical Data

 Total working length 420 mm
 Distal section 1.2 x 320 mm
 Proximal section 2.8 x 100 mm

Resection Sheaths (Selection)

① A22040A Inner sheath, for A22026A, A22027A

A22041A Inner sheath, for A22021A, A22023A

A22042A Inner sheath, for A22022A

② A22027A Outer sheath, 26 Fr., 2 vertical stopcocks, fixed

A22026A Outer sheath, 26 Fr., 2 stopcocks, rotatable

A22023A Outer sheath, 27 Fr., 2 vertical stopcocks, fixed

A22021A Outer sheath, 27 Fr., 2 stopcocks, rotatable

A22022A Outer sheath, 28 Fr., 2 stopcocks, rotatable

Compatible to all OES Pro resection sheaths.

System Chart
