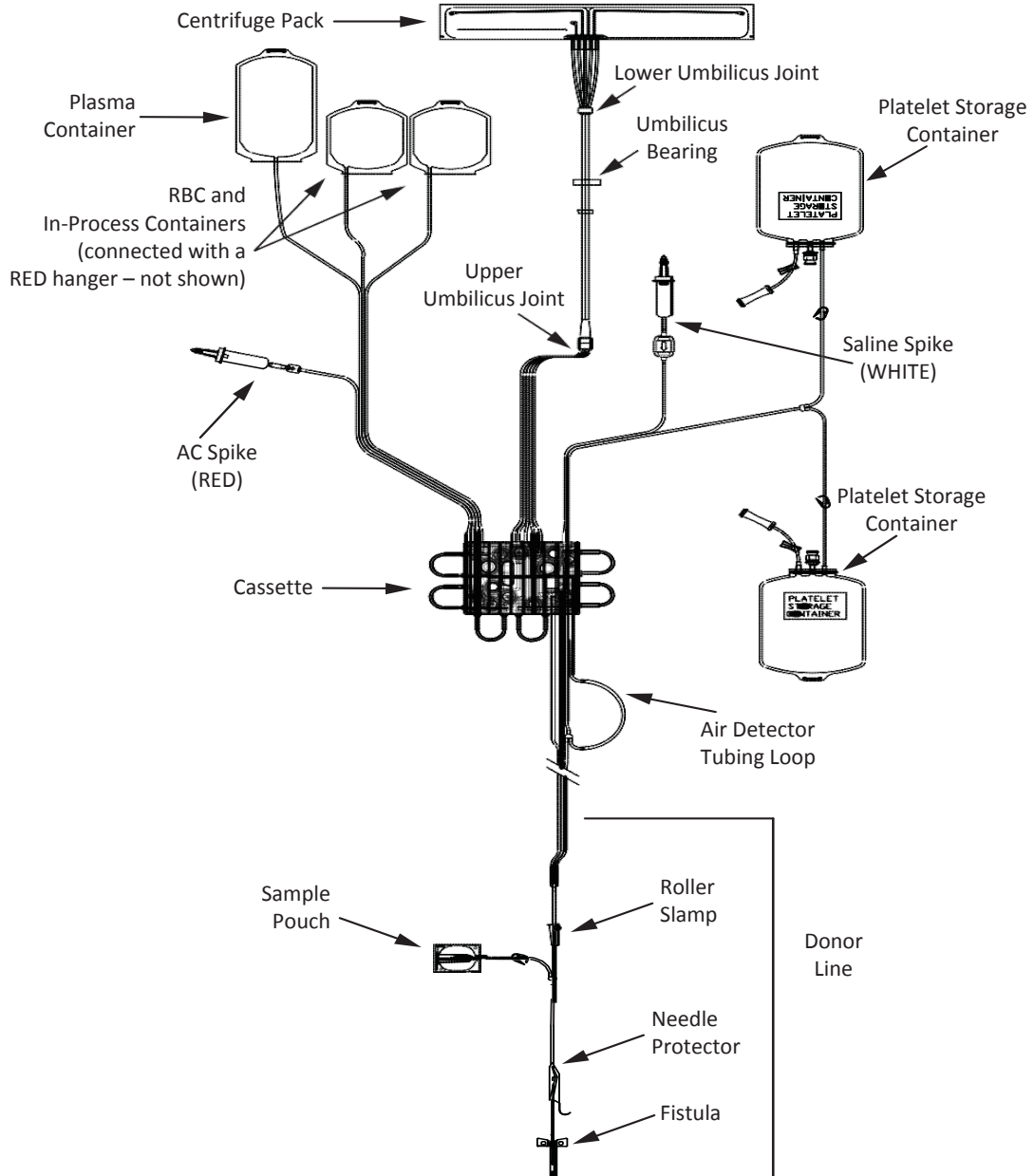
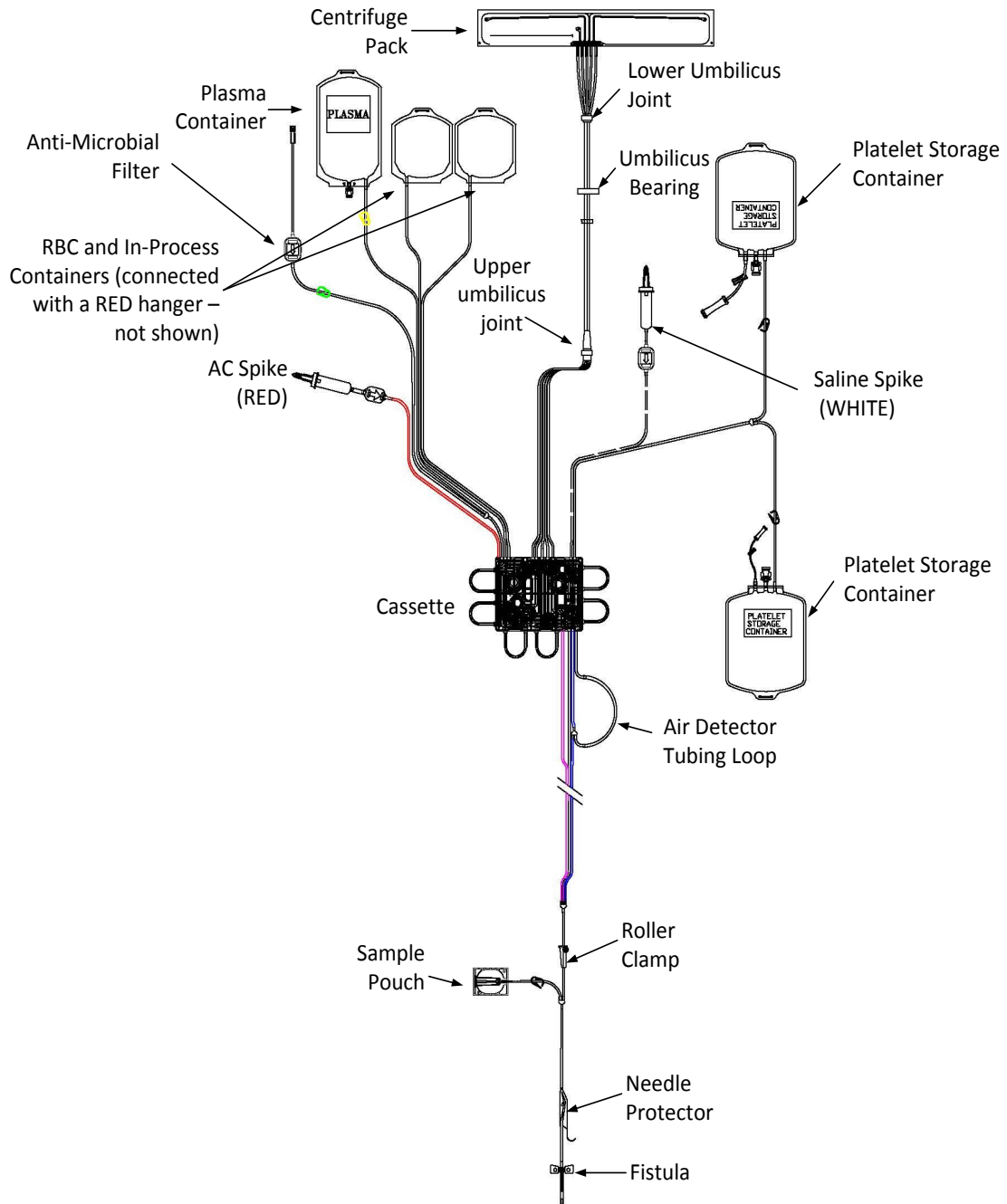


Section 2.4 Disposable Kit Components



2.5 Typical Disposable Kit



2.6 PAS Kit