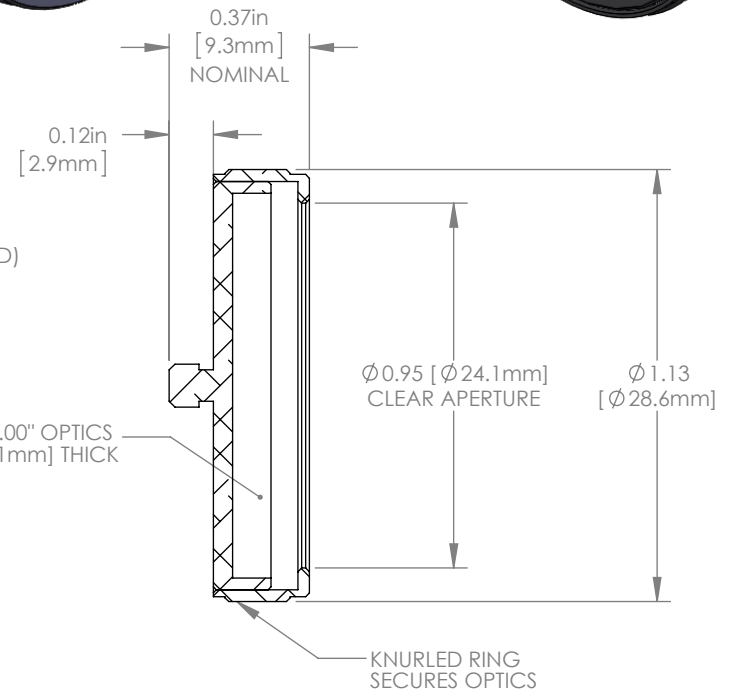


SPANNER WRENCH HOLES
FOR USE WITH SPW909 (NOT INCLUDED)
2 PLACES

ACCEPTS Ø1.00" OPTICS
FROM 0.10" [2.5mm] UP TO 0.24" [6.1mm] THICK

#4-40 EXTERNAL THREAD
USED TO ATTACH TO
KMS & KMSS MIRROR MOUNT



SECTION A-A

KNURLED RING
SECURES OPTICS

FOR INFORMATION ONLY
NOT FOR MANUFACTURING PURPOSES

DRAWING PROJECTION

	NAME	DATE
DRAWN	AK	08/NOV/13
APPROVAL	TQ	19/NOV/13

COPYRIGHT © 2013 BY THORLABS

VALUES IN PARENTHESIS ARE CALCULATED
AND MAY CONTAIN ROUND-OFF ERRORS

THORLABS
www.thorlabs.com

Ø1.00" OPTIC HOLDER FOR KMS

MATERIAL	ALUMINUM	REV D
----------	----------	----------

ITEM #	MH25	APPROX WEIGHT	0.01 kg
--------	------	---------------	---------