

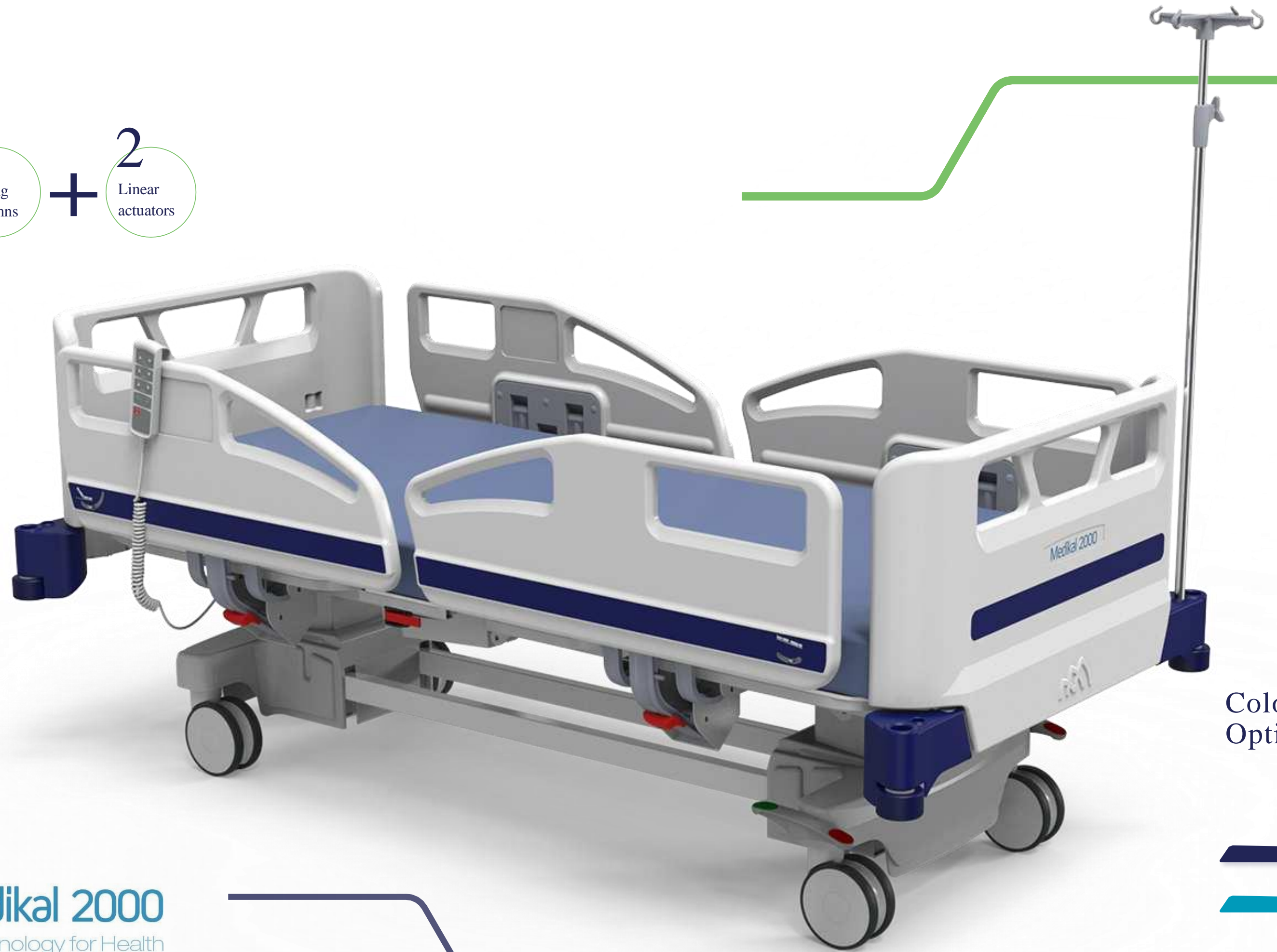
PLUS A9

Electromechanic Hospital Bed

2
Lifting
columns

+

2
Linear
actuators



Colour
Options

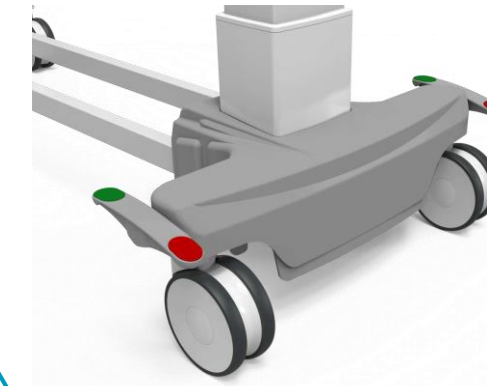
 **Medikal 2000**
Technology for Health





Actuators With Min IP X4 Protection For Quiet Operation

Ø 150 mm 360 ° Swivel Central Brake Castors



Hand Control Unit Nurse Panel With Function Locking Feature



Control Box Built-in Battery



Manual CPR Arm



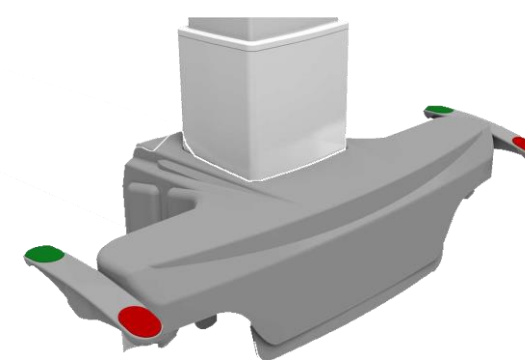
Mechanical Angle Indicator on Siderails (backrest- trend angle)



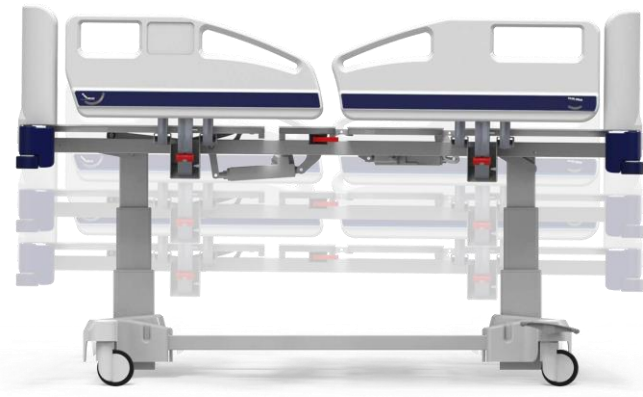
Height Adjustable Iv Pole



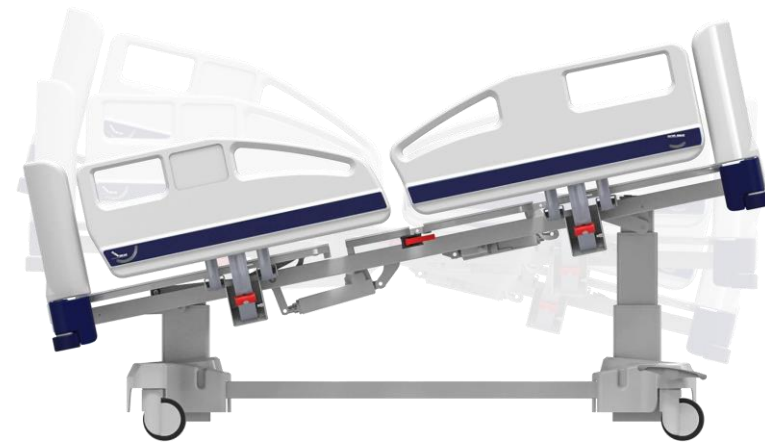
ABS Plastic Bottom Chassis



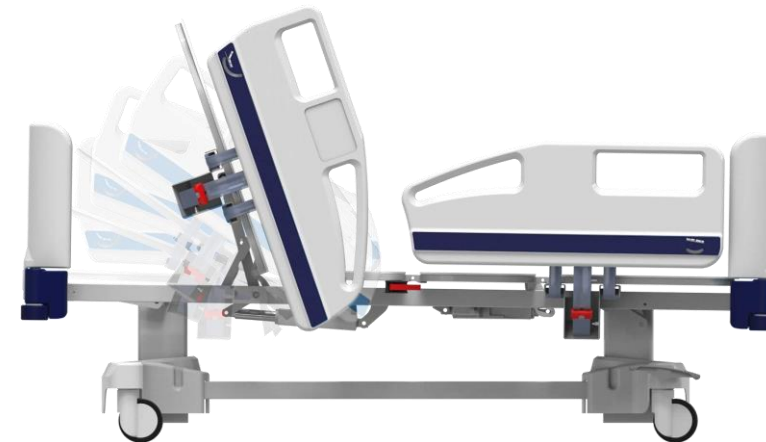
Control units pictures are representative.



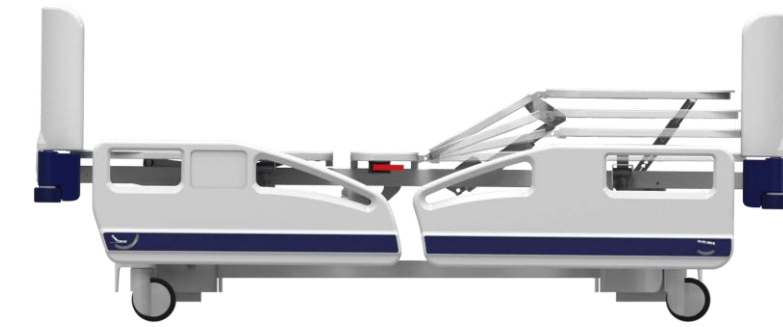
48-88cm Height Movement



12° Trendelenburg/Antitrendelenburg



70° Backrest Movement



30° Legrest Movement

Width (Over all)	Lenght (Over ...)	Height Min.	Height Max.	Lying Surface	Mattress	Backrest Angle	Legrest Angle	Trendelenburg Angle	Antitrendelenburg Angle	Safety Working Capacity	Operating Voltage	Number of Actuators
103,5 cm	212,5 cm	48 cm	88 cm	85x190 cm	85x190x12 cm 28DNS	70°	30°	12°	12°	250 kg	220-240 V AC	4



ABS Iv Pole Holder

75 mm (±5 mm)
Plastic protective
bumpers against impact

ABS Plastic Bottom
Chassis
Cover

Removable and mountable
head and foot boards
made of Polypropylene (PP)

4-piece lying surface
made of ABS material

Nano ceramic coated
electrostatic powder
painted metal parts

Bottom chassis profiles: 50 x 50 x 3 mm, 30 x 50 x 2 mm

Upper chassis profiles: 30 x 50 x 2 mm, 40 x 80 x 2 mm

Material Features



B. Kayacık Osb. Mahallesi
T. Ziyaeddin Akbulut Cad. Fabrika Üretim Apt.
No:19/A1 Selçuklu / Konya / Turkey
Tel : +90 332 239 10 80
Fax : +90 332 239 10 82 (pbx)
E-Mail : bilgi@medikal2000.com.tr
www.medikal2000.com.tr