

CERTIFICATE OF REGISTRATION

This is to certify that the management system of:

ARCTIKO A/S

Main Site: Oddesundvej 39, 6715 Esbjerg N, Denmark
Chamber of Commerce: 26286077

has been registered by Intertek as conforming to the requirements of

ISO 9001:2015

The management system is applicable to:

Design and Development, Manufacturing, Sales and Services of ultra-low temperature freezers, laboratory refrigerators and freezers.

Certificate Number:

33037

Initial Certification Date:

20 December 2007

Date of Certification Decision:

20 November 2019

Issuing Date:

20 November 2019

Valid Until:

08 December 2022



IntertekTM



Accred. no. 1639
Certification of
Management
Systems
ISO/IEC 17021-1

Carl-Johan von Plomgren

MD, Business Assurance Nordics

Intertek Certification AB

P.O. Box 1103, SE-164 22 Kista, Sweden



MANAGEMENT SYSTEM CERTIFICATE

Certificate No.:
10000320341-PA-NA-NOR

Project No.:
PRJC-519733-2015-MSL-NOR

Initial Certification Date:
05 December 2019

Valid Until:
04 December 2022

This is to certify that the management system of:

Arctiko A/S

Oddesundvej 39, 6715 Esbjerg N, Denmark

Complies with the requirements of:

ISO 13485:2016/NS-EN ISO 13485:2016

The Certificate is valid for the following scope:

DESIGN, DEVELOPMENT, MANUFACTURING, SALES AND SERVICES OF REFRIGERATORS AND FREEZERS CLASSIFIED AS MEDICAL DEVICES.

Place and date:
Høvik, 05 December 2019



For:
DNV GL PRESAFE AS

Eugenie Winger Husebye
Eugenie Winger Husebye

The certificate is digitally verified by blockchain technology. For more info, see www.dnvgl.com/assurance/certificates-in-the-blockchain.html



Bio RS-24, Mini-rotator

DESCRIPTION

Mini-rotator **Bio RS-24** provides vertical rotation of the platform. The rotator is an ideal instrument for preventing blood coagulation in tubes and for fulfilment of procedures of biological components extraction.

The device is simple to operate; it is designed as a low cost solution.

Rotator can be used in cold rooms or incubators, operating at ambient temperature range +4°C to +40°C.

PRS - series platforms are equipped with universal rubber clamps for different size tube fixation;
 PRSC - series platforms have metal clamps able to hold heavier solutions (e.g. soil, sand)



SPECIFICATIONS

Speed control range	5-30 RPM
Digital time setting	1 min–24 hrs / non-stop
Vertical rotation movement	overhead, 360°
Maximum continuous operation time	8 hrs
Overall dimensions (W×D×H)	325×190×155 mm
Weight	1.4 kg
Input current/power consumption	12 V, 110 mA/1.3 W
External power supply	Input AC 100–240 V 50/60 Hz; Output DC 12 V

CAT. NUMBER

Including PRS-22 platform	Including PRS-22 platform
BS-010133-AAG	230VAC 50/60Hz Euro plug
BS-010133-AAK	230VAC 50/60Hz UK plug, 230VAC 50/60Hz AU plug, 100VAC 50/60Hz US plug, 120VAC 60Hz US plug
BS-010133-BK	IQ OQ document
BS-010133-CK	PQ document

ACCESSORIES



PRS-22
 BS-010117-FK
 platform

Can accommodate 22 tubes, 10-16 mm diameter (1.5 ml - 15 ml tubes).



PRSC-18
 BS-010117-EK
 platform

Can accommodate 18 tubes, 16 mm diameter (15 ml).



PRS-4/12
 BS-010117-AK
 platform

Can accommodate 4 tubes, 20-30 mm diameter (up to 50ml tubes) and 12 tubes, 10-16 mm diameter (1.5 ml - 15 ml tubes).

EU Declaration of Conformity

Unit type Rockers, shakers, rotators, vortexes

Models **MR-1, MR-12;**
3D, Multi Bio 3D, PSU-10i, PSU-20i, MPS-1, PSU-2T;
Bio RS-24, Multi Bio RS-24, Multi RS-60;
V-1 plus, V-32, MSV-3500

Serial number 14 digits styled XXXXXYYMMZZZZ, where XXXXXX is model code, YY and MM – year and month of production, ZZZZ – unit number.

Manufacturer SIA BIOSAN
Latvia, LV-1067, Riga, Ratsupites str. 7/2

The objects of the declaration described above is in conformity with the following relevant Union harmonization legislations:

LVD 2014/35/EU	LVS EN 61010-1:2011 Safety requirements for electrical equipment for measurement, control, and laboratory use. General requirements. LVS EN 61010-2-051:2015 Particular requirements for laboratory equipment for mixing and stirring.
EMC 2014/30/EU	LVS EN 61326-1:2013 Electrical equipment for measurement, control and laboratory use. EMC requirements. General requirements.
RoHS3 2015/863/EU	Directive on the restriction of the use of certain hazardous substances in electrical and electronic equipment.
WEEE 2012/19/EU	Directive on waste electrical and electronic equipment.

I declare that the Declaration of Conformity is issued under sole responsibility of the manufacturer and belongs to the above-mentioned objects of the declaration.

Svetlana Bankovska
Managing director



Signature

07.02.2020.

Date

EU Declaration of Conformity

Unit type Mini-centrifuge, laboratory centrifuge

Models **Microspin-12, LMC-3000, LMC-4200R**

Serial number 14 digits styled XXXXXYYMMZZZZ, where XXXXXX is model code, YY and MM – year and month of production, ZZZZ – unit number.

Manufacturer SIA BIOSAN
Latvia, LV-1067, Riga, Ratsupites str. 7/2

The objects of the declaration described above is in conformity with the following relevant Union harmonization legislations:

LVD 2014/35/EU	LVS EN 61010-1:2011 Safety requirements for electrical equipment for measurement, control, and laboratory use. General requirements. LVS EN 61010-2-020:2016 Particular requirements for laboratory centrifuges.
EMC 2014/30/EU	LVS EN 61326-1:2013 Electrical equipment for measurement, control and laboratory use. EMC requirements. General requirements.
RoHS3 2015/863/EU	Directive on the restriction of the use of certain hazardous substances in electrical and electronic equipment.
WEEE 2012/19/EU	Directive on waste electrical and electronic equipment.

I declare that the Declaration of Conformity is issued under sole responsibility of the manufacturer and belongs to the above-mentioned objects of the declaration.

Svetlana Bankovska
Managing director



Signature

07.02.2020.

Date

LMC-3000, Laboratory Centrifuge

DESCRIPTION

LMC-3000 is a modern low-speed bench-top centrifuge designed for operation with microtest plates and centrifuge tubes up to 50 ml. This device is widely used in biomedical profile laboratories.

Features:

- Soft start and run-down of the rotor;
- User-friendly setting of centrifugation parameters (speed and time) and simultaneous display of both set and actual values;
- Safe operation at any speed is provided by metal protection chamber and case cover, automatic stop at imbalance and a lock keeping the lid closed while the centrifuge is running;
- Rotor selection;
- Setting rotor speed in RPM or RCF;
- Multiple acceleration (Slow, Normal, Fast) and deceleration (0, Slow, Normal, Fast) modes and possibility to switch off forced braking;
- Low noise level;
- Wide choice of accessory rotors.



SPECIFICATIONS

Speed regulation range for centrifuge tubes	100-3000 rpm (1610 × g)
Speed regulation range for microtitre plates	100-2000 rpm (560 × g)
Setting resolution	100 rpm
Digital time setting	1 - 90 min (increment 1 min)
Timer sound signal	+
Rotor imbalance diagnostics (automatic stop, "IMBALANCE" warning)	+
Display	LCD, 2 x 16 signs
Chamber diameter	335 mm
Overall dimensions (W×D×H)	420 x 495 x 235 mm
Weight	11.8 kg
Nominal operating voltage	230 V, 50/60 Hz or 120 V, 50/60 Hz
Power consumption (230V / 120 V)	110 W (0.5 A) / 120 W (1 A)

CAT. NUMBER

Without rotor	Without rotor
BS-010208-AAA	230VAC 50/60Hz Euro plug
BS-010208-AAB	230VAC 50/60Hz UK plug
BS-010208-AA3	230VAC 50/60Hz AU plug
BS-010208-AAC	100VAC 50/60Hz US plug, 120VAC 60Hz US plug
BS-010208-GK	IQ OQ document
BS-010208-LK	PQ document



R-6
BS-010208-DK
Rotor

Swing-out rotor for conical bottom centrifuge tube. Aluminium buckets.



R-6P
BS-010208-XK
Rotor

Swing-out rotor for conical bottom centrifuge tube. Plastic buckets (POM Kocetal).



BI-25-6
BS-010221-VK
adapter set

For rotors R-6, R-6P, Ri-6, Ri-6P optional insert set (6 pcs) - BI-25-6 for 25 ml conical tubes



R-12/10
BS-010208-BK
Rotor

Swing-out rotor for round bottom centrifuge tube.



BN-13/75
BS-010208-PK
adapter set

For rotors R-12/10, Ri-12/10 optional adapter set (12 pcs) - BN-13/75 for vacutainers 2-5 ml



BN-13/100
BS-010208-QK
adapter set

For rotors R-12/10, Ri-12/10 optional adapter set (12 pcs) - BN-13/100 for vacutainers 4-8 ml



BN-16/100
BS-010208-RK
adapter set

For rotors R-12/10, Ri-12/10 optional adapter set (12 pcs) - BN-16/100 for vacutainers 8-10 ml



R-12/15
BS-010208-EK
Rotor

Swing-out rotor for conical bottom centrifuge tube.



R-2
BS-010208-AK
Rotor

Swing-out rotor for standard 96-well microtitre plates, skirted PCR plates, deepwell plates up to 45mm.



AP-96
BS-010219-DK
adapter

2 adapters for 96-well semi-skirted and non-skirted PCR plates - made of Ertacetal® C. Autoclavable



AP-384
BS-010219-EK
adapter

2 adapters for 384-well plates - made of Ertacetal® C. Autoclavable



R-24GC
BS-010208-VK
Rotor

Rotor for 24 Gel Cards for blood group serology testing (Forward Group, Reverse Group, RhD Type and 3 cell antibody screen)



RR-U
BS-010208-UK
rack for rotors

Rack for rotors



BN-11/30
BS-010208-ZK
bucket set for rotor R-6P

Spare bucket set for rotor R-6P. Plastic buckets (POM Kocetal) (6 pcs).



BN-16/90
BS-010208-SK
bucket set for rotor R-12/10 R-24/10

Spare bucket set for rotor R-12/10, R-24/10. Plastic buckets (12 pcs).



BN-17/120
BS-010208-TK
bucket set for rotor R-12/15

Spare bucket set for rotor R-12/15. Plastic buckets (12 pcs).

ARCTIKO LRE 440®

Item code: DAI 6025

BIOMEDICAL REFRIGERATOR
(SOLID DOOR)

Main specification

Item code	DAI 6025
Temperature range (°C)	+2 / +8
Max. ambient temperature (°C)	32
Capacity (L)	437
Exterior dimensions WxDxH (mm)	600x700x1865
Interior dimensions WxDxH (mm)	475x500/341x1723
Weight (kg)	93
Insulation (mm)	50
Cooling technology	air forced
Controller model / probe type	Carel-IR33 / NTC
Power supply (V)	230
Frequency (Hz)	50/60
Power consumption (KWH/24H)	1,9
AMP (A)	0,9
Power (Watt)	168
Horse Power (HP)	1/4

Other features

Automatic defrost	yes
Antifreeze function	no
Vacuum release port	no
Access port for external probe etc. (Int. diameter mm)	12
Light	yes
Lock with key	yes
Castors (total pcs) / castors with brake (pcs)	4 rollers / 0
Fixed feet (pcs) / levelling feet (pcs)	0 / 2
Sub lids / sub doors (qty)	no
Reversible doors (qty)	yes
Fixed shelves (pcs) / adjustable shelves (pcs)	0 / 5
Max. no. of shelves (pcs) / recommended max. no. of shelves (pcs)	22 / 11
Max load shelves (kg)	15
Adjustable drawers (pcs)	no
Basket (pcs)	yes
Max. no. of baskets (pcs)	1
Max. load per basket (kg)	22
Total capacity of 50mm boxes 9x9 dividers (pcs)	no
Total capacity of 75mm boxes 9x9 dividers (pcs)	no
Total capacity of 96mm boxes 9x9 dividers (pcs)	no

Display / Data / Alarm

Alarm display as text (not codes)	no
Visual / acoustic alarm	yes / yes
Power failure alarm	no
Ajustable high / low temperature alarm	yes / yes
Open door alarm	yes
Probe failure alarm	yes
Low battery alarm	no
Compressor failure alarm	no
Battery backup for alarms (approx. hrs.)	no
Voltage free contact for remote alarm (e.g. GSM alarm module)	yes
Electronic data logger	no
RS 485 port	no
USB port for software update & data download	no
Temperature chart recorder	no
Display type	LED touch button
Number of optional reference probes	no
Password protection for turning unit on/off	no
Temperature graph on display	no

Refrigeration & Cabinet

Number of compressors	1
Refrigerant	R600a
Interior cabinet material	coated steel
Exterior cabinet material	coated steel
Colour (exterior cabinet)	white
Foam type	polyurethane
VIP vacuum insulated panels	no

Shipping

Shipping weight (kg)	103
Shipping dimensions (cm)	75x64x200
Shipping volume (m ³)	0,96

ARCTIKO LRE 440®

Item code: DAI 6025

BIOMEDICAL REFRIGERATOR
(SOLID DOOR)

Documentation (downloads)

Product datasheet	Available on website
Dimension drawing	Available on website
Wiring diagram	Available on website
Safety data sheet R600a	Available on website
CE-Certificate	Available on website
IQ/OQ	Available on website
Operating instructions	Available on website

Accessories

ARCTIKO GSM Alarm Module®	Add-on
ARCTIKO Voltage Stabilizers®	Add-on
ARCTIKO Voltage Converters®	Add-on
ARCTIKO Wire Shelves Plastic Coated®	Add-on



LRE 440

A STABLE RUNNING UNIT THAT OFFERS A GREAT LEVEL OF FLEXIBILITY

Flexaline offers air forced cooling for high temperature stability and quick temperature recovery after door openings.



AIR FORCED COOLING



EASY ADJUSTABLE SHELVES



VARIOUS SAFETY FEATURES

EXTRA SECURITY

The Flexaline has multiple safety features as standard. The range comes with a built-in lock to restrict access to the stored samples. Besides the physical security features, the line comes with electronic safety features. The temperature display has a high/low temperature audio and visual alarms along with a door open alarm. The controller records the minimum and maximum temperature since the last reset, and this ensures that your samples have never gone out of the set temperature range.

FLEXIBLE STORAGE

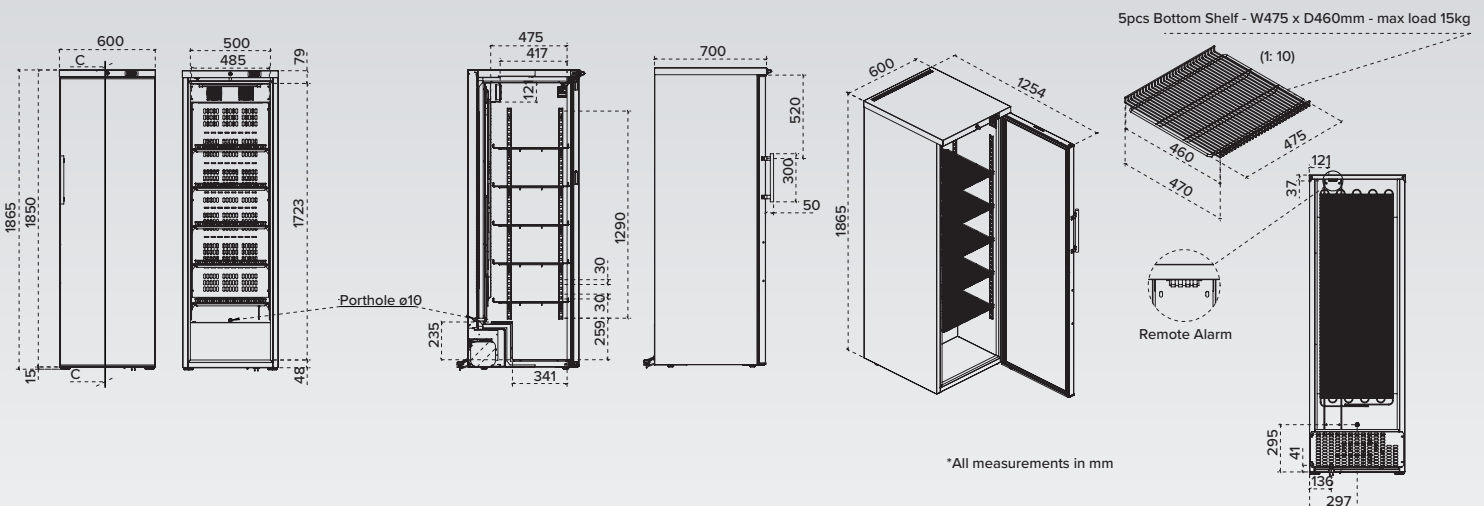
The Flexaline offers a great level of flexibility and covering a large spectrum of different storage needs.

The shelves in the Flexaline are specially designed for easy adjustments in order to offer the best flexibility for your storage needs. This allows the user to organize their unit exactly as desired.

PRODUCT BENEFITS

- Easily adjustable shelves to accommodate any storage need you might have
- Air-forced cooling for high-temperature stability and quick temperature recovery after door openings
- Key lock on all models for optimal security of your samples
- Interior LED light offers a good overview of your samples
- Anti-freeze thermostat

MAIN DIMENSION FOR LRE 440

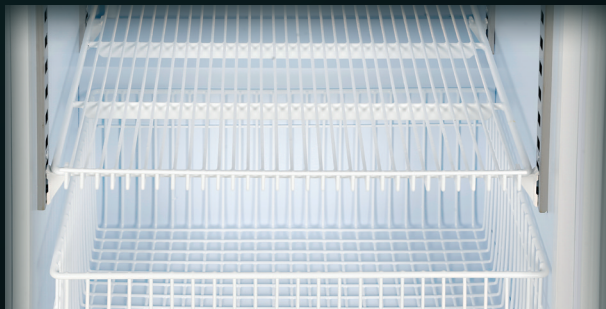




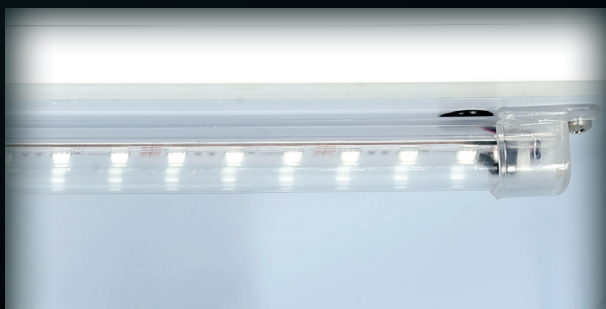
The Carel controller features, among others, visual and acoustic alarm, high/low temperature alarm and open door alarm.



Lock is a standard feature in our Flexaline for optimal security



The shelves in the Flexaline models are easy adjustable in order to offer best flexibility for your storage needs



All models in our Flexaline feature LED lighting offering long time durability and lowest possible operating cost

OPTIONAL ACCESSORIES

- SVS voltage stabilizer
- GSM alarm module
- Shelves
- Basket

MAIN SPECIFICATIONS

Item code	DAI 6025
Temperature range (°C)	+2 / +8
Max. ambient temperature (°C)	32
Capacity (L)	437
Exterior dimensions WxDxH (mm)	600x700x1865
Interior dimensions WxDxH (mm)	475x500/341x1723
Weight (KG)	93
Insulation (mm)	50
Cooling technology	air forced
Controller model / probe type	Carel / NTC

POWER

Power supply (V)	230
Frequency (Hz)	50/60
Power consumption (kWh/24H)	1,9
AMP (A)	0,9
Power (Watt)	168
Horse power (HP)	1/4

ALARM FUNCTIONS

Alarm display as text - not codes	no
Visual / acoustic alarm	yes / yes
Power failure alarm	no
Adjustable high / low temperature alarm	yes / yes
Open door alarm	yes
Probe failure alarm	yes
Low battery alarm	no
Compressor failure alarm	no
Battery backup for alarms (approx. hrs.)	no

DATA LOGGING & EXTERNAL CONNECTION

Voltage free contact for remote alarm (e.g. GSM alarm module)	yes
Electronic data logger	no
RS 485 port	no
USB port for software update & data download	no
Temperature chart recorder	no

DISPLAY FEATURES

Display type	LED display with touch buttons
Number of optional reference probes	no
Password protection for turning unit on / off	no
Temperature graph on display	no
Temperature chart recorder	no

OTHER FEATURES

Automatic defrost	yes
Antifreeze function	no
Vacuum release port	no
Access port for external probe etc. (int. diameter mm)	12
Light	yes
Lock with key	yes
Castors (total pcs) / castors with brake (pcs)	4 rollers / no
Fixed feet (pcs) / levelling feet (pcs)	0 / 2
Sub lids / inner doors (pcs)	no
Reversible door(s)	yes
Fixed shelves (pcs) / adjustable shelves (pcs)	0 / 5
Max. no. of shelves (pcs) / recommended max. no. of shelves (pcs)	22 / 11
Max. load per shelf (kg)	15
Baskets (pcs)	1
Max. no. of baskets (pcs)	1
Max. load per basket (kg)	22

REFRIGERATION & CABINET

Number of compressors	1
Refrigerant	R600a
Interior cabinet material	coated steel
Exterior cabinet material	coated steel
Colour (exterior cabinet)	white
Foam type	polyurethane
VIP vacuum insulated panels	no

SHIPPING

Shipping weight (KG)	103
Shipping dimensions WxDxH (cm)	75x64x200
Shipping volume (m ³)	0,96

Arctiko A/S

Oddesundvej 39 · DK-6715 Esbjerg N · Phone: +45 7020 0328
 info@arctiko.com ■ arctiko.com



ARCTIKO LFE 110®

Item code: DAI 6005
BIOMEDICAL FREEZER
UNDER COUNTER MODEL

Main specification

Item code	6005
Temperature range (°C)	-15 / -25
Max. ambient temperature (°C)	32
Capacity (L)	107
Exterior dimensions WxDxH (mm)	600x600x835
Interior dimensions WxDxH (mm)	460X410/230X680
Weight (kg)	45
Insulation (mm)	60
Cooling technology	static cooling
Controller model / probe type	Carel-IR33 / NTC
Power supply (V)	230
Frequency (Hz)	50/60
Power consumption (KWH/24H)	1,1
AMP (A)	0,5
Power (Watt)	67
Horse Power (HP)	1/6

Other features

Automatic defrost	no
Antifreeze function	no
Vacuum release port	no
Access port for external probe etc. (Int. diameter mm)	12
Light	no
Lock with key	yes
Castors (total pcs) / castors with brake (pcs)	no
Fixed feet (pcs) / levelling feet (pcs)	0 / 4
Sub lids / sub doors (qty)	no
Reversible doors (qty)	yes
Fixed shelves (pcs) / adjustable shelves (pcs)	0 / 4
Max. no. of shelves (pcs) / recommended max. no. of shelves (pcs)	4 + 1 small / 2 + 1 small
Max load shelves (kg)	15 / 10 (small)
Adjustable drawers (pcs)	no
Basket	yes
Max. no. of baskets (pcs)	1
Max. load per basket (kg)	15
Total capacity of 50mm boxes 9x9 dividers (pcs)	no
Total capacity of 75mm boxes 9x9 dividers (pcs)	no
Total capacity of 96mm boxes 9x9 dividers (pcs)	no

Display / Data / Alarm

Alarm display as text (not codes)	no
Visual / acoustic alarm	yes / yes
Power failure alarm	no
Ajustable high / low temperature alarm	yes / yes
Open door alarm	yes
Probe failure alarm	yes
Low battery alarm	no
Compressor failure alarm	no
Battery backup for alarms (approx. hrs.)	no
Voltage free contact for remote alarm (e.g. GSM alarm module)	yes
Electronic data logger	no
RS 485 port	no
USB port for software update & data download	no
Temperature chart recorder	no
Display type	LED with touch button
Number of optional reference probes	no
Password protection for turning unit on/off	no
Temperature graph on display	no

Refrigeration & Cabinet

Number of compressors	1
Refrigerant	R600a
Interior cabinet material	coated steel
Exterior cabinet material	coated steel
Colour (exterior cabinet)	white
Foam type	polyurethane
VIP vacuum insulated panels	no

Shipping

Shipping weight (kg)	56
Shipping dimensions (cm)	80x65x102
Shipping volume (m ³)	0,53

ARCTIKO LFE 110®

Item code: DAI 6005
BIOMEDICAL FREEZER
UNDER COUNTER MODEL

Documentation (downloads)

Product datasheet	Available on website
Dimension drawing	Available on website
Wiring diagram	Available on website
CE-Certificate	Available on website
ISO-Certificate	Available on website
IQ/OQ	Available on website
Safety datasheet R600a	Available on website
Operating instructions	Available on website

Accessories

ARCTIKO GSM Alarm Module®	Add-on
ARCTIKO Voltage Stabilizers®	Add-on
ARCTIKO Voltage Converters®	Add-on
ARCTIKO Wire Shelves Plastic Coated®	Add-on



LFE 110

A STABLE RUNNING UNIT THAT OFFERS A GREAT LEVEL OF FLEXIBILITY

Flexaline offers static cooling for high temperature stability and quick temperature recovery after door openings.



STATIC COOLING



EASY ADJUSTABLE SHELVES



VARIOUS SAFETY FEATURES

EXTRA SECURITY

The Flexaline has multiple safety features as standard. The range comes with a built-in lock to restrict access to the stored samples. Besides the physical security features, the line comes with electronic safety features.

The temperature display has a high/low temperature audio and visual alarms along with a door open alarm. The controller records the minimum and maximum temperature since the last reset, this ensures that your samples have never gone out of the set temperature range.

FLEXIBLE STORAGE

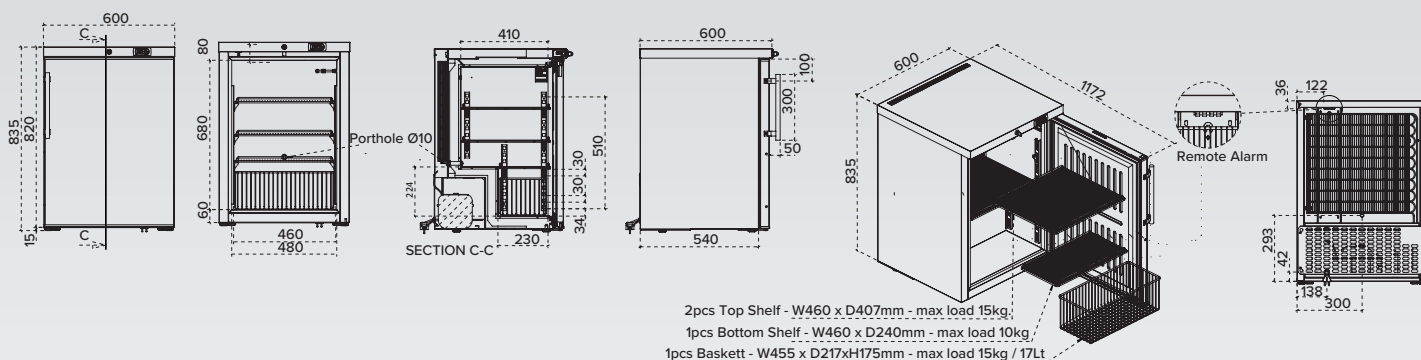
The Flexaline offers a great level of flexibility and covering a large spectrum of different storage needs.

The shelves in the Flexaline are specially designed for easy adjustments in order to offer the best flexibility for your storage needs. This allows the user to organize their unit exactly as desired.

PRODUCT BENEFITS

- Easily adjustable shelves to accommodate any storage need you might have
- Static cooling for high-temperature stability and quick temperature recovery after door openings
- Key lock on all models for optimal security of your samples

MAIN DIMENSION FOR LFE 110



*All measurements in mm



The Carel controller features, among others, visual and acoustic alarm, high/low temperature alarm and open door alarm.



Lock is a standard feature in our Flexaline for optimal security.



The shelves in the Flexaline models are easy adjustable in order to offer best flexibility for your storage needs

OPTIONAL ACCESSORIES

- SVS voltage stabilizer
- GSM alarm module
- Shelves
- Basket

MAIN SPECIFICATIONS

Item code	DAI 6005
Temperature range (°C)	-15 / -25
Max. ambient temperature (°C)	32
Capacity (L)	107
Exterior dimensions WxDxH (mm)	600x600x835
Interior dimensions WxDxH (mm)	460x410/230x680
Weight (KG)	45
Insulation (mm)	60
Cooling technology	static
Controller model / probe type	Carel / NTC

POWER

Power supply (V)	230
Frequency (Hz)	50/60
Power consumption (kWh/24H)	1,1
AMP (A)	0,5
Power (Watt)	67
Horse power (HP)	1/6

ALARM FUNCTIONS

Alarm display as text - not codes	no
Visual / acoustic alarm	yes / yes
Power failure alarm	no
Adjustable high / low temperature alarm	yes / yes
Open door alarm	yes
Probe failure alarm	yes
Low battery alarm	no
Compressor failure alarm	no
Battery backup for alarms (approx. hrs.)	no

DATA LOGGING & EXTERNAL CONNECTION

Voltage free contact for remote alarm (e.g. GSM alarm module)	yes
Electronic data logger	no
RS 485 port	no
USB port for software update & data download	no
Temperature chart recorder	no

DISPLAY FEATURES

Display type	LED display with touch buttons
Number of optional reference probes	no
Password protection for turning unit on / off	no
Temperature graph on display	no

OTHER FEATURES

Automatic defrost	no
Antifreeze function	no
Vacuum release port	no
Access port for external probe etc. (int. diameter mm)	12
Light	no
Lock with key	yes
Castors (total pcs) / castors with brake (pcs)	no
Fixed feet (pcs) / levelling feet (pcs)	0 / 4
Sub lids / inner doors (pcs)	no
Reversible door(s)	yes
Fixed shelves (pcs) / adjustable shelves (pcs)	0 / 2 + 1 small
Max. no. of shelves (pcs) / recommended max. no. of shelves (pcs)	4 + 1 small / 2 + 1 small
Max. load per shelf (kg)	15 / 10 (small shelf)
Baskets (pcs)	1
Max. no. of baskets (pcs)	1
Max. load per basket (kg)	15

REFRIGERATION & CABINET

Number of compressors	1
Refrigerant	R600a
Interior cabinet material	coated steel
Exterior cabinet material	coated steel
Colour (exterior cabinet)	white
Foam type	polyurethane
VIP vacuum insulated panels	no

SHIPPING

Shipping weight (KG)	56
Shipping dimensions WxDxH (cm)	80x65x102
Shipping volume (m ³)	0,53

CERTIFICATO N° 505DM07

CERTIFICATE N° 505DM07

Si certifica che il
this is to certify that

Sistema di Gestione per la Qualità

Quality Management System

messo in atto da
implemented by

APTACA S.p.A.

Via Monte Bianco, 4 – IT 20900 MONZA (MB)

nella Sede Operativa di
Operative Unit

Regione Monforte, 30 – IT 14053 CANELLI (AT)

è conforme alla norma
is in compliance with the standard

UNI CEI EN ISO 13485-2016 (ISO 13485-2016)

per i seguenti Processi
concerning the following kinds of Processes

Gestione della fabbricazione e immissione in commercio di tamponi sterili
per il prelievo di campioni biologici in orifizi naturali e in ambito chirurgico.

Progettazione e fabbricazione di dispositivi medico diagnostici per laboratori di analisi.

Gestione della fabbricazione ed immissione in commercio di dispositivi medici invasivi in relazione agli orifizi
del corpo in Classe I Sterile. Fabbricazione di dispositivi medici invasivi in relazione agli orifizi del corpo in
Classe I Sterile. Commercializzazione di dispositivi medici e diagnostici in vitro.

*Management of the manufacturing and placing on the market of sterile tampons for sampling of biological specimens in natural orifice and in surgical field.
Design and manufacturing of diagnostic medical devices for laboratories of analysis. Management of the manufacturing and placing on the market of
invasive medical devices with respect to body orifices (class I sterile). Manufacturing of invasive medical devices with respect to body orifices (class I sterile).
Marketing of medical and diagnostic devices in vitro.*

Il presente Certificato è soggetto al rispetto delle condizioni stabilite dai Regolamenti per la certificazione in vigore applicabili.
This Certificate shall satisfy the requirements established in the Rules for the certification in force applicable.

In caso di discordanza tra le lingue utilizzate nella traduzione del contenuto del presente certificato, fare riferimento alla lingua italiana
In cases of discrepancy between the languages used in the translation of the content of this certificate, please refer to the Italian language

L'AMMINISTRATORE DELEGATO
MANAGING DIRECTOR


Dr. Ing. Roberto Cusolito

Data di Prima Emissione
First Issue Date
2007-10-30

Data di Prima Emissione ITALCERT
First Issue Date ITALCERT
2011-10-30

Data di Rinnovo
Renewal Date
2020-10-30

Data di Scadenza
Expiration Date
2023-10-29



SGQ N° 023A

Membro degli Accordi di Mutuo Riconoscimento EA, IAF e ILAC
Signatory of EA, IAF and ILAC Mutual Recognition Agreements

CERTIFICATO N° 505DM07

CERTIFICATE N° 505DM07

Si certifica che il
this is to certify that

Sistema di Gestione per la Qualità

Quality Management System

messo in atto da
implemented by

APTACA S.p.A.

Via Monte Bianco, 4 – IT 20900 MONZA (MB)

nella Sede Operativa di
Operative Unit

Regione Monforte, 30 – IT 14053 CANELLI (AT)

è conforme alla norma
is in compliance with the standard

UNI CEI EN ISO 13485-2016 (ISO 13485-2016)

per i seguenti Processi
concerning the following kinds of Processes

Gestione della fabbricazione e immissione in commercio di tamponi sterili
per il prelievo di campioni biologici in orifizi naturali e in ambito chirurgico.

Progettazione e fabbricazione di dispositivi medico diagnostici per laboratori di analisi.

Gestione della fabbricazione ed immissione in commercio di dispositivi medici invasivi in relazione agli orifizi
del corpo in Classe I Sterile. Fabbricazione di dispositivi medici invasivi in relazione agli orifizi del corpo in
Classe I Sterile. Commercializzazione di dispositivi medici e diagnostici in vitro.

*Management of the manufacturing and placing on the market of sterile tampons for sampling of biological specimens in natural orifice and in surgical field.
Design and manufacturing of diagnostic medical devices for laboratories of analysis. Management of the manufacturing and placing on the market of
invasive medical devices with respect to body orifices (class I sterile). Manufacturing of invasive medical devices with respect to body orifices (class I sterile).
Marketing of medical and diagnostic devices in vitro.*

Il presente Certificato è soggetto al rispetto delle condizioni stabilite dai Regolamenti per la certificazione in vigore applicabili.
This Certificate shall satisfy the requirements established in the Rules for the certification in force applicable.

In caso di discordanza tra le lingue utilizzate nella traduzione del contenuto del presente certificato, fare riferimento alla lingua italiana
In cases of discrepancy between the languages used in the translation of the content of this certificate, please refer to the Italian language

L'AMMINISTRATORE DELEGATO
MANAGING DIRECTOR


Dr. Ing. Roberto Cusolito

Data di Prima Emissione
First Issue Date
2007-10-30

Data di Prima Emissione ITALCERT
First Issue Date ITALCERT
2011-10-30

Data di Rinnovo
Renewal Date
2020-10-30

Data di Scadenza
Expiration Date
2023-10-29



SGQ N° 023A

Membro degli Accordi di Mutuo Riconoscimento EA, IAF e ILAC
Signatory of EA, IAF and ILAC Mutual Recognition Agreements

MANAGEMENT SYSTEM CERTIFICATE

Certificate no.:
59878-2009-AQ-MCW-FINAS

Initial certification date:
20 December 2000

Valid:
01 September 2021 – 31 August 2024

This is to certify that the management system of
THERMO FISHER SCIENTIFIC
Kubinskaya 73, liter A, build.1, Saint-Petersburg, Russian Federation, 196240

has been found to conform to the Quality Management System standard:
ISO 9001:2015

This certificate is valid for the following scope:
**MANUFACTURING OF LIQUID HANDLING PRODUCTS AND SPECIAL DIAGNOSTIC
PLASTICS.**

Place and date:
Espoo, 18 June 2021



For the issuing office:
DNV - Business Assurance
Keilaranta 1, 02150 Espoo, Finland



Kimmo Haarala
Management Representative



MANAGEMENT SYSTEM CERTIFICATE

Сертификат №:
59878-2009-AQ-MCW-FINAS

Дата начальной сертификации:
20 декабря 2000

Действителен:
01 сентября 2021 – 31 августа 2024

Настоящим удостоверяется, что система менеджмента организации:

АО «ТЕРМО ФИШЕР САЙЕНТИФИК»

Кубинская, д.73, литер А, корпус 1, Санкт-Петербург, Российская Федерация, 196240

была признана соответствующей стандарту:

ISO 9001:2015

Настоящий сертификат действителен для следующей области:

**ПРОИЗВОДСТВО ДОЗАТОРОВ ПИПЕТОЧНЫХ И СПЕЦИАЛЬНОГО
ДИАГНОСТИЧЕСКОГО ПЛАСТИКА.**

Место и дата:
Espoo, 18 июня 2021



От выпускающего офиса:
DNV - Business Assurance
Keilaranta 1, 02150 Espoo, Finland

Kimmo Haarala
Представитель руководства

Невыполнение условий Договора на сертификацию делает данный Сертификат недействительным.

Аккредитованный офис: DNV GL Business Assurance Finland Oy Ab, Keilaranta 1, 02150 Espoo, Finland - TEL: +358 10 292 4200. www.dnvgl.fi/assurance



ФЕДЕРАЛЬНАЯ СЛУЖБА ПО НАДЗОРУ В СФЕРЕ ЗДРАВООХРАНЕНИЯ
И СОЦИАЛЬНОГО РАЗВИТИЯ

РЕГИСТРАЦИОННОЕ УДОСТОВЕРЕНИЕ

№ ФСР 2009/05681

от 15 сентября 2009 года

Срок действия: не ограничен.

Настоящее удостоверение выдано

ЗАО "Термо Фишер Сайентифик",
Россия, 196240, Санкт-Петербург, ул. Кубинская, д.73, корпус 1, лит.А

и подтверждает, что изделие медицинского назначения
(изделие медицинской техники)

Дозаторы пипеточные, одно- и многоканальные, "Блэк"
по ТУ 9443-008-33189998-2009

производства

ЗАО "Термо Фишер Сайентифик",
Россия, 196240, Санкт-Петербург, ул. Кубинская, д.73, корпус 1, лит.А

класс потенциального риска 2а

ОКП 94 4370

соответствующее комплекту регистрационной документации

КРД № 33014 от 09.07.2009

приказом Росздравнадзора от 15 сентября 2009 года № 7252-Пр/09

разрешено к производству, продаже и применению на территории Российской Федерации

**Руководитель Федеральной службы
по надзору в сфере здравоохранения
и социального развития**



Н.В. Юргель

006376



ФЕДЕРАЛЬНАЯ СЛУЖБА ПО НАДЗОРУ В СФЕРЕ ЗДРАВООХРАНЕНИЯ
И СОЦИАЛЬНОГО РАЗВИТИЯ
FEDERAL SERVICE OF HEALTH CARE AND SOCIAL DEVELOPMENT CONTROL

РЕГИСТРАЦИОННОЕ УДОСТОВЕРЕНИЕ
REGISTRATION CERTIFICATE
№ ФСЗ 2011/10929

от 26 октября 2011 года

Срок действия: не ограничен.

Настоящее удостоверение выдано
ЗАО "Термо Фишер Сайентифик", Россия,
196240, Санкт-Петербург, ул. Кубинская, д. 73, литер А, корп. 1
и подтверждает, что изделие медицинского назначения
Наконечники полимерные одноразовые Finntip, Labtip для медицинских
пипеток (см. Приложение на 1 листе)
производства
"Термо Фишер Сайентифик Ой", Финляндия,
Thermo Fisher Scientific Oy, Ratatie 2, FI-01620 Vantaa, Finland

класс потенциального риска 1

ОКП 94 6465

соответствующее комплекту регистрационной документации

КРД №37410 от 15.09.2011

приказом Росздравнадзора от 26 октября 2011 года №6966-Пр/11
разрешено к импорту, продаже и применению на территории Российской
Федерации

Врио руководителя Федеральной службы
по надзору в сфере здравоохранения
и социального развития

Е.А. Тельнова



014266

**ПРИЛОЖЕНИЕ
К РЕГИСТРАЦИОННОМУ УДОСТОВЕРЕНИЮ**

**ATTACHMENT
№ ФСЗ 2011/10929**

Лист 1

1. Наконечники полимерные одноразовые Finntip: 0,2-10 мкл; 0,2-20 мкл; 0,2-50 мкл; 0,3-30 мкл; 5-200 мкл; 0,5-250 мкл; 5-300 мкл; 1-100 мкл; 1-200 мкл; 5-100 мкл; 100-1000 мкл; 1000-5000 мкл; 2000-10000 мкл; 50-1500 мкл; 0,5-25 мкл; 20-200 мкл; 10-250 мкл; 0,5 мл; 1,25 мл; 2,5мл; 5 мл; 12,5 мл; 25 мл; 50 мл; 0,5-10 мкл; 0,5-100 мкл; 0,5-200 мкл; 150-1500 мкл; 0,5-30 мкл; 5-30 мкл; 50-1200 мкл.
2. Наконечники полимерные одноразовые Labtip Yellow (желтые).
3. Наконечники полимерные одноразовые Labtip Blue (синие).

Z

Врио руководителя Федеральной службы
по надзору в сфере здравоохранения
и социального развития

26 октября 2011 года



Е.А. Тельнова

018788

Дозаторы пипеточные
Ленпипет Блэк

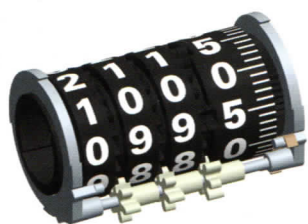


Стиль и надежность в Вашей лаборатории

Дозаторы пипеточные Ленпипет Блэк

Усовершенствованный механизм установки объема дозирования (AVG)

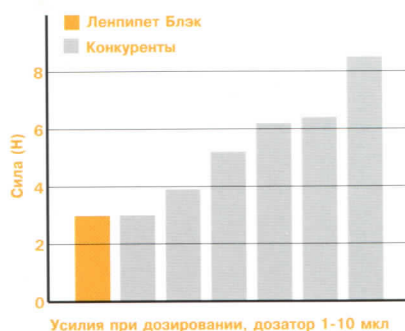
Поскольку точность и воспроизводимость - самые важные свойства любого дозатора, Ленпипет Блэк обладает специально разработанным механизмом регулировки объема, выполненным в виде автономного модуля. Поскольку механизм регулировки объема отделен от корпуса дозатора, он обладает существенно большей точностью, воспроизводимостью и прочностью. Кроме того, чтобы исключить возможное влияние тепла руки на точность измерений, механизм регулировки объема дозирования изолирован от корпуса дозатора.



Большой дисплей

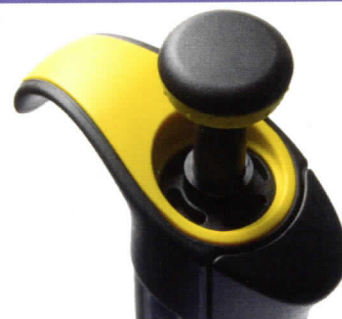
Ленпипет Блэк имеет большой, легко читаемый дисплей, позволяющий легко и четко задавать объем. Кроме того, новый механизм установки объема позволяет легко устанавливать объем до сотых долей мкл, который виден на фоне. Точность обеспечивается также благодаря прецизионной регулировке объема, где каждый шаг при установке объема сопровождается щелчком. Это позволяет регулировать объем

с шагом от 0,01 мкл до 20 мкл в зависимости от модели дозатора. Возле дисплея предусмотрено удобное место для идентификационных ярлычков пользователя. Такие ярлычки нужны, чтобы не перепутать дозаторы и чтобы они не затерялись в лаборатории.



Легкость дозирования

Как и у всех дозаторов Ленпипет, усилия, необходимые при дозировании, минимизированы. Конструкция Ленпипет Блэк позволяет пользователю нажимать кнопку дозирования очень легко, что обеспечивает легкость, ровность и стабильность дозирования. Это, в свою очередь, позволяет получать лучшие результаты дозирования в течение более длительных периодов работы. Кроме того, запатентованный механизм "супервыталкивания" жидкости позволяет точно дозировать даже микрообъемы. Такой механизм есть в дозаторах объемом 50 мкл и меньше.



Новая конструкция операционной кнопки

Ленпипет Блэк имеет новую конструкцию операционной кнопки с вращающейся верхней частью, позволяющую исключительно легко устанавливать объем. Дополнительное преимущество заключается в том, что вращающаяся верхняя часть кнопки движется независимо от механизма регулировки объема, что предотвращает случайное изменение объема. Как и нижняя часть операционной кнопки, она выполнена из мягкого пластика, обеспечивающего отличный захват при регулировке объема без приложения усилий.

Полная автоклавируемость

Высокое качество результатов зависит от абсолютной стерильности. Чтобы обеспечить ее и предотвратить перекрестное загрязнение, Ленпипет Блэк может стерилизоваться в автоклаве при 121°C. Стерилизовать дозатор можно целиком в сборе или отдельными деталями в стерилизационном мешке. Дозатор выполнен из материалов, обладающих высокой стойкостью к реактивам, УФ свету и влаге.

Легкость обслуживания и калибровки в лаборатории

Ленпипет Блэк очень легко обслуживать: просто разберите дозатор, сняв сбрасыватель наконечника рукой, а затем с помощью удобного инструмента для обслуживания удалите конус наконечника. Тот же практический инструмент используется для регулирования калибровки пипетки с помощью калибровочной гайки, расположенной наверху рукоятки дозатора.



Сочетание комфорта и автоклавируемости

Удобство и эргономичность

Ленпипет Блэк имеет широкий упор для пальца, который позволяет держать дозатор под идеальным углом для дозирования и дает руке расслабиться между циклами дозирования. В результате длительные циклы дозирования становятся более комфортными и менее утомительными, снижается риск развития травмы, возникающей из-за постоянной нагрузки (repetitive strain injury, RSI). Кнопка сбрасывателя наконечника закруглена и имеет эргономичную конструкцию, обеспечивающую наиболее комфортное положение большого пальца при сбрасывании.

Разнообразие типов и ассортимента объемов дозирования

Чтобы удовлетворить потребности каждой лаборатории, дозаторы Ленпипет Блэк выпускаются в одноканальных и многоканальных вариантах. Одноканальные дозаторы могут быть переменного или фиксированного объема. По желанию заказчика поставляются штативы как для одноканальных, так и для многоканальных дозаторов. Каждый дозатор Ленпипет Блэк имеет удобную цветовую кодировку на операционной кнопке и корпусе рукоятки, а также на многоканальных модулях, чтобы легче было находить нужный наконечник Finntip.

Многоканальные дозаторы Ленпипет Блэк

Многоканальные дозаторы Ленпипет Блэк выпускаются 8-канальными с различными диапазонами объема. Как и в одноканальных моделях Ленпипет Блэк, механизм усовершенствованной регулировки объема обеспечивает высокий уровень точности и воспроизводимости. Кроме того, в моделях малого объема функция супервыталкивания жидкости обеспечивает точное дозирование даже самых малых объемов.



Операционная кнопка

Легкая регулировка объема

Легкость в работе

Цветовая кодировка

Широкий поддерживающий упор для пальца

Место для размещения ярлыка с дополнительной информацией

Усовершенствованный механизм регулировки объема, повышающий точность и воспроизводимость

Большой дисплей

Прочный материал рукоятки

Весь дозатор целиком автоклавируется

Отсутствие металла обеспечивает легкий вес

Механизм супервыталкивания жидкости



Одноканальные дозаторы пипеточные Ленпипет Блэк постоянного объема

Кат. №	Объем мкл	Точность		Воспр-мость		Наконечник
		мкл	%	s.d.*мкл	CV%*	
4652002	1	±0,040	±4,00	0,040	4,00	Flex 10,10, 50
4652012	5	±0,070	±1,40	0,070	1,40	Flex 10,10, 50
4652022	10	±0,090	±0,90	0,080	0,80	Flex 200, 250 Унив., 200 Удл.
4652132	20	±0,14	±0,70	0,10	0,50	Flex 200, 250 Унив., 200 Удл.
4652032	25	±0,15	±0,60	0,13	0,50	Flex 200, 250 Унив., 200 Удл.
4652042	50	±0,30	±0,60	0,20	0,40	Flex 200, 250 Унив., 200 Удл.
4652052	100	±0,40	±0,40	0,30	0,30	Flex 200, 250 Унив., 200 Удл.
4652142	200	±0,80	±0,40	0,60	0,30	Flex 1000,1000,1000 Удл.
4652062	250	±1,0	±0,40	0,8	0,30	Flex 1000,1000,1000 Удл.
4652072	500	±1,5	±0,30	1,5	0,30	Flex 1000,1000,1000 Удл.
4652082	1000	±3,0	±0,30	3,0	0,30	Flex 1000,1000, 1000 Удл.

Одноканальные дозаторы пипеточные Ленпипет Блэк переменного объема

Кат. №	Диапазон	Шаг	Объем		Точность		Воспр-мость		Цветов. код	Наконечник
			мкл	мкл	мкл	%	s.d.*мкл	CV%*		
4642022	0,5-5 мкл	0,01 мкл	5	±0,075	±1,50	0,050	1,00	Розовый	Flex 10, 10, 50	
			0,5	±0,030	±6,00	0,025	5,00			
4642032	1-10 мкл	0,02 мкл	10	±0,100	±1,00	0,050	0,50	Розовый	Flex 10, 10, 50	
			1	±0,025	±2,50	0,020	2,00			
4642042	1-10 мкл	0,02 мкл	10	±0,100	±1,00	0,080	0,80	Желтый	Flex 200, 250 Унив.	
			1	±0,035	±3,50	0,030	3,00			
4642052	2-20 мкл	0,02 мкл	20	±0,20	±1,00	0,08	0,40	Бирюзовый	50	
			2	±0,06	±3,00	0,05	2,50			
4642062	2-20 мкл	0,02 мкл	20	±0,20	±1,00	0,08	0,40	Желтый	Flex 200, 250 Унив.	
			2	±0,06	±3,00	0,05	2,50			
4642132	5-50 мкл	0,1 мкл	50	±0,30	±0,60	0,15	0,30	Желтый	Flex 200, 250 Унив., 300, 200 Удл.	
			5	±0,15	±3,00	0,125	2,50			
4642072	10-100 мкл	0,2 мкл	100	±0,80	±0,80	0,20	0,20	Желтый	Flex 200, 250 Унив., 300, 200 Удл.	
			10	±0,25	±2,50	0,10	1,00			
4642082	20-200 мкл	0,2 мкл	200	±1,2	±0,60	0,4	0,20	Желтый	Flex 200, 250 Унив., 300, 200 Удл.	
			20	±0,36	±1,80	0,14	0,70			
4642092	100-1000 мкл	1 мкл	1000	±6,0	±0,60	2,0	0,20	Синий	Flex 1000, 1000, 1000 Удл.	
			100	±1,0	±1,00	0,6	0,60			
4642102	0,5-5 мл	0,01 мл	5000	±25,0	±0,50	10,0	0,20	Зеленый	5 мл	
			500	±5,0	±1,00	4,0	0,80			
4642112	1-10 мл	0,02 мл	10 000	±50,0	±0,50	20,0	0,20	Красный	10 мл	
			1000	±10,0	±1,00	8,0	0,80			

Многоканальные дозаторы пипеточные Ленпипет Блэк переменного объема

Кат. №	Кол-во каналов	Диапазон	Шаг	Объем		Точность		Воспр-мость		Цветов. код	Наконечник
				мкл	мкл	мкл	%	s.d.*мкл	CV%*		
4662002	8	1,0-10 мкл	0,02 мкл	10	±0,240	±2,40	0,160	1,60	Розовый	Flex 10, 10, 50	
				1	±0,080	±8,00	0,070	7,00			
4662012	8	5-50 мкл	0,1 мкл	50	±0,75	±1,50	0,35	0,70	Желтый	Flex 200, 250 Унив., 200 Удл.	
				5	±0,25	±5,00	0,10	2,00			
4662022	8	10-100 мкл	0,2 мкл	100	±1,30	±1,30	0,50	0,50	Желтый	Flex 200, 250 Унив., 200 Удл.	
				10	±0,25	±2,50	0,20	2,00			
4662032	8	30-300 мкл	1 мкл	300	±3,0	±1,00	0,9	0,30	Оранжевый	Flex 300, 300	
				30	±0,6	±2,00	0,6	2,00			

Санкт-Петербург

Тел.: (812) 703 4215
 Факс: (812) 703 4216
 196240, г. Санкт-Петербург
 ул. Кубинская, 73А, корп. 1
 E-mail: info.lcp.spb@thermofisher.com

Москва

Тел.: (495) 739 7641
 Факс: (495) 739 7642
 141400, Московская область, г. Химки
 ул. Ленинградская, 39, Бизнес Парк Химки,
 офисное здание 2, офис ОВ02_03_В2
 E-mail: info.btd.moscow@thermofisher.com

<http://www.thermo.com.ru>

Thermo
SCIENTIFIC

Приложение к свидетельству
№ _____ об утверждении типа
средств измерений

СОГЛАСОВАНО

Руководитель ГЦИ СИ ФГУП
«ВНИИМ им. Д.И.Менделеева»
Н. И. Ханов
« 15 » _____ 2009 г.



Дозаторы пипеточные, одно- и
многоканальные «Блэк»

Внесены в Государственный реестр средств измерений
Регистрационный номер _____
Взамен № _____

Выпускаются по техническим условиям ТУ 9443-008-33189998-2009.

НАЗНАЧЕНИЕ И ОБЛАСТЬ ПРИМЕНЕНИЯ

Дозаторы пипеточные, одно- и многоканальные, «Блэк» (далее - дозаторы) предназначены для дозирования жидкостей, динамическая вязкость которых не превышает $1,3 \times 10^{-3}$ Па·с.

Дозаторы пипеточные, одно- и многоканальные, «Блэк» применяются в клиничко-диагностических и бактериологических лабораториях медицинских учреждений, а также в научно-исследовательских медицинских учреждениях и в других областях народного хозяйства.

ОПИСАНИЕ

Принцип действия дозаторов основан на создании в съемном, герметично надеваемом на штуцер дозатора наконечнике попеременно вакуума или избыточного давления, в результате чего в наконечник всасывается или сливается из него дозируемая жидкость. Вакуум и избыточное давление создаются при перемещении в камере, расположенной в штуцере, герметично уплотненного калиброванного плунжера. Объем дозы дозаторов определяется диаметром плунжера и его перемещением, которое управляется электронным двигателем.

Дозаторы оборудованы автономным модульным механизмом регулировки объема доз, который позволяет установить объем дозирования с наименьшим шагом. Для уменьшения влияния тепла руки на результат дозирования механизм установки объема доз имеет термоизоляцию от корпуса дозатора.

Значение объема дозы, установленное при использовании операционной кнопки, отображается на черно-белом дисплее, встроенном в рукоятку дозатора.

Дозаторы выполнены в черном автоклавируемом корпусе.

Для работы дозаторов используются сменные наконечники. Каждый дозатор снабжен узлом сброса, обеспечивающим легкосъемность наконечников.

Выпускается тридцать две модификации дозаторов: тринадцать одноканальных с фиксированным объемом доз (ДПОФ), девять одноканальных с переменным объемом доз (ДПОП) и десять многоканальных с переменным объемом доз (ДПМП).

Дозаторы представляют собой одноканальные, восьмиканальные, двенадцатиканальные и шестнадцатиканальные устройства с изменяемым объемом для отбора и дозирования жидкости с высокой точностью.

ОСНОВНЫЕ ТЕХНИЧЕСКИЕ ХАРАКТЕРИСТИКИ

Наименование модификаций дозаторов	Диапазон объемов дозирования, мкл	Дискретность установки, мкл	Число каналов	Пределы допускаемой систематической составляющей основной относительной погрешности при температуре $(20 \pm 2) ^\circ\text{C}$, %	Предел допускаемого среднеквадратичного отклонения случайной составляющей относительной погрешности, %
ДПОФ-1-1	1	—	1	$\pm 8,0$	7,0
ДПОФ-1-5	5	—	1	$\pm 5,0$	5,0
ДПОФ-1-10	10	—	1	$\pm 2,5$	3,0
ДПОФ-1-25	25	—	1	$\pm 2,0$	3,0
ДПОФ-1-50	50	—	1	$\pm 2,0$	2,5
ДПОФ-1-100	100	—	1	$\pm 1,5$	2,0
ДПОФ-1-250	250	—	1	$\pm 1,5$	2,0
ДПОФ-1-500	500	—	1	$\pm 1,0$	1,0
ДПОФ-1-1000	1000	—	1	$\pm 1,0$	1,0
ДПОФ-1-2000	2000	—	1	$\pm 1,0$	1,0
ДПОФ-1-3000	3000	—	1	$\pm 1,0$	1,0
ДПОФ-1-5000	5000	—	1	$\pm 1,0$	1,0
ДПОФ-1-10000	10000	—	1	$\pm 1,0$	1,0
ДПОП-1-0,2-2	0,2...2	0,002	1	$\pm 8,0$	(7,0...6,0)
ДПОП-1-0,5-5	0,5...5	0,01	1	$\pm (8,0...5,0)$	(7,0...5,0)
ДПОП-1-1-10	1...10	0,02	1	$\pm (8,0...2,5)$	(7,0...3,0)
ДПОП-1-2-20	2...20	0,02	1	$\pm (8,0...2,0)$	(6,0...3,0)
ДПОП-1-10-100	10...100	0,2	1	$\pm (2,5...1,5)$	(3,0...2,0)
ДПОП-1-20-200	20...200	0,2	1	$\pm (2,0...1,5)$	(3,0...2,0)
ДПОП-1-100-1000	100...1000	1,0	1	$\pm (1,5...1,0)$	(2,0...1,0)
ДПОП-1-500-50 000	500...50 000	10,0	1	$\pm 1,0$	1,0
ДПОП-1-1000-10 000	1000...10 000	20,0	1	$\pm 1,0$	1,0
ДПМП-8-1-10	1...10	0,02	8	$\pm (8,0...2,5)$	(7,0...3,0)
ДПМП-8-5-50	5...50	0,1	8	$\pm (5,0...2,0)$	(5,0...2,5)
ДПМП-8-10-100	10...100	0,2	8	$\pm (2,5...1,5)$	(3,0...2,0)
ДПМП-8-30-300	30...300	1,0	8	$\pm (2,0...1,5)$	(3,0...2,0)
ДПМП-12-1-10	1...10	0,02	12	$\pm (8,0...2,5)$	(7,0...3,0)
ДПМП-12-5-50	5...50	0,1	12	$\pm (5,0...2,0)$	(5,0...2,5)
ДПМП-12-10-100	10...100	0,2	12	$\pm (2,5...1,5)$	(3,0...2,0)
ДПМП-12-30-300	30...300	1,0	12	$\pm (2,0...1,5)$	(3,0...2,0)
ДПМП-16-1-10	1...10	0,02	16	$\pm (8,0...2,5)$	(7,0...3,0)
ДПМП-16-5-50	5...50	0,1	16	$\pm (5,0...2,0)$	(5,0...2,5)

Пределы допускаемой систематической составляющей дополнительной относительной погрешности при отклонении температуры окружающего воздуха от 20 °С составляют ± 5 % на каждые 10 °С.

Динамическая вязкость дозируемых жидкостей не более 1.3×10^{-3} Па·с.

Максимальные габаритные размеры дозаторов без упаковки, высота, мм, не более:

- одноканальных фиксированного объёма 300;
- одноканальных переменного объёма 350;
- восьмиканальных 300;
- двенадцатиканальных 300;
- шестнадцатиканальных 300.

Масса дозаторов без упаковки, г, не более:

- одноканальных фиксированного объёма 150;
- одноканальных переменного объёма 150;
- восьмиканальных 200;
- двенадцатиканальных 250;
- шестнадцатиканальных 300.

Условия эксплуатации:

- диапазон рабочих температур, °С от + 10 до + 35
- диапазон относительной влажности воздуха, % от 30 до 80
- атмосферное давление, кПа $101,3 \pm 4$

Средняя наработка на отказ, не менее 100000 циклов дозирования для одноканальных и не менее 50000 циклов дозирования для многоканальных дозаторов.

Средний срок службы, лет 4.

ЗНАК УТВЕРЖДЕНИЯ ТИПА

Знак утверждения типа наносится на дозатор (упаковку с дозатором) методом термопечати, на титульный лист Руководства по эксплуатации типографским способом.

КОМПЛЕКТНОСТЬ

В комплект поставки входят:

1. Дозатор 1 шт.
2. Многофункциональный ключ 1 шт.
3. Руководство по эксплуатации (РЭ) 1 экз.
4. Тюбик с высококачественной смазкой 1 шт.
5. Образцы наконечника 1-3 шт.
6. Кольцо уплотнительное 1 шт.
7. Методика поверки МП 2302-0009-2009 1 экз.

Примечания

1 Поставка может осуществляться в любых сочетаниях дозаторов и соответствующих им наконечников.

2 По требованию потребителя наконечники поставляются по отдельному заказу, в отдельной упаковке.

ПОВЕРКА

Поверка дозаторов осуществляется в соответствии с методикой поверки МП 2302-0009-2009 «Дозаторы пипеточные, одно- и многоканальные, «Блэк». Методика поверки», утвержденной ГЦИ СИ ФГУП «ВНИИМ им. Д.И. Менделеева» 18.08.2009 г.

Основные средства поверки: весы лабораторные специального класса точности по ГОСТ 24104-2001; термометр с диапазоном измерения от 0 до 50 °С с погрешностью не более ± 0,1 °С; вода бидистиллированная по ГОСТ 6709-72, ГСССД 98-2000; барометр с диапазоном измерения от 80 до 160 кПа с погрешностью не более ± 200 Па.

Межповерочный интервал - 1 год.

НОРМАТИВНЫЕ И ТЕХНИЧЕСКИЕ ДОКУМЕНТЫ

1. ГОСТ 8.470 «ГСИ. Государственная поверочная схема для средств измерений объема жидкости».
2. ГОСТ 28311 «Дозаторы медицинские лабораторные. Общие технические требования и методы испытаний».
3. ГОСТ 50444 «Приборы, аппараты и оборудование медицинские. Общие технические условия».
4. ТУ 9443-008-33189998-2009 «Дозаторы пипеточные, одно- и многоканальные, «Блэк». Технические условия».

ЗАКЛЮЧЕНИЕ

Тип дозаторов пипеточных, одно- и многоканальных, «Блэк», утвержден с техническими и метрологическими характеристиками, приведенными в настоящем описании типа, метрологически обеспечен при выпуске из производства и в эксплуатации согласно государственной поверочной схеме.

Регистрационное удостоверение № ФСР 2009/05681 от 15.09.2009 выдано Федеральной службой по надзору в сфере здравоохранения и социального развития.

ИЗГОТОВИТЕЛЬ

ЗАО «Термо Фишер Сайентифик»,
196240, г. Санкт-Петербург, ул. Кубинская, д.73, литер А, корпус 1

Исполнительный директор
ЗАО «Термо Фишер Сайентифик»



С. А. Лашков