



INSTITUT GUMÁRENSKÉ TECHNOLOGIE A TESTOVÁNÍ, A.S.
RUBBER TECHNOLOGY AND TESTING INSTITUTE, Plc.
INSTITUT FÜR GUMMITECHNOLOGIE UND PRÜFWESEN, A.G.
A.O. «ИНСТИТУТ ТЕХНОЛОГИИ РЕЗИНЫ И ИСПЫТАНИЙ»

Společnost je zapsána v obchodním rejstříku vedeném Krajským soudem v Brně, oddíl B, vložka 818



PETLAS TIRE INDUSTRY
AND TRADE COMPANY
Kindam Mah.
Ankara-Kayseri Cad No: 2/1
40200 Kirsehir
TURKEY

E8*106R00/16*1948*00

Zlín 24th June 2020

Communication concerning the approval and notification of approval number – inspection report

Tyre type fully complies requirements of ECE/UN R106.

Enclosed you will find the Communication concerning the approval of your tyres according to ECE/UN Regulation No. **106**

On the base of this approval you are entitled to produce in your factory tyres of the dimension :

13.6-38 PETLAS TA-60 142A6 TT
13.6-38 STARMAXX TR-60 142A6 TT

with the approval number : **E8*106R00/16*1948*00**
date of inspection : **24th June 2020**

Sincerely yours,



Václav Hořelka
Head Of Tyre Approval Department
Head Of Inspection Body HS440

OSVĚDČENÍ COMMUNICATION



vydáno: Ministry of Transport
issued by L.Svobody 1222/12
110 15 Praha 1
Czech Republic

týkající se ^{1/}
concerning: ^{1/}


UDĚLENÍ HOMOLOGACE	APPROVAL GRANTED
ROZŠÍŘENÍ HOMOLOGACE	APPROVAL EXTENDED
ZAMÍTNUTÍ HOMOLOGACE	APPROVAL REFUSED
ODEBRÁNÍ HOMOLOGACE	APPROVAL WITHDRAWN
DEFINITIVNÍM UKONČENÍ VÝROBY	PRODUCTION DEFINITELY DISCONTINUED

typu pneumatiky pro zemědělská vozidla podle předpisu OSN č. 106
of a type of tyre for agricultural vehicles pursuant to UN Regulation No. 106

Homologační číslo: **E8*106R00/17*1948*00** Rozšíření číslo: -
Approval No.: Extension No. :

- | | | |
|--------|--|---|
| 1. | Jméno a adresa výrobce
Manufacturer's name and address: | PETLAS TYRE INDUSTRY
AND TRADE COMPANY
Kindam Mah.
Ankara-Kayseri Cad. No.2/1
Kirsehir, TURKEY |
| 2. | Označení typu pneumatiky:
Tyre type designation: | TA-60
TR-60 |
| 2.1 | Obchodní značka(y) / obchodní název (y):
Brand name(s)/trademark(s): | PETLAS
STARMAXX |
| 2.2 | Obchodní popis(y) / obchodní název(y):
Trade description(s)/ Commercial name(s): | - |
| 3. | Případně jméno a adresa zástupce výrobce:
If applicable, name and address of manufacturer's representative: | N/A |
| 4. | Souhrnný popis:
Summarized description: | |
| 4.1. | Rozměr pneumatiky:
Size of tyre: | 13.6-38 |
| 4.2. | Kategorie použití:
Category of use: | Traktor-záběrové kolo-standardní
dezén
Tractor-Drive wheel-standard tread |
| 4.3. | Konstrukce: diagonální nebo smíšená/bias-belted /radiální ^{1/}
Structure: diagonal or bias-ply/bias-belted /radial ^{1/} | |
| 4.4. | Symbol kategorie rychlosti
Speed category symbol: | A6 |
| 4.5. | Index zatížení:
Load-capacity index: | 142 |
| 4.5.1. | pro záběrová (pouze implement):
for traction (implement only): | - |



- 4.5.2. pro vlečená (pouze implement): -
for trailer (implement only):
- 4.6. Zda pneumatika má být vybavena vnitřní duší nebo bez ní: **TUBE TYPE / TUBELESS**
Whether the tyre is to be fitted with or without an inner tube:
- 4.7. Doplnkový popis použití, je-li požadován: -
The supplementary service description, if applicable:
5. Technický servis a případně zkušební laboratoř
schválená pro účely schvalování nebo
ověřování shody: **IGTT a.s.**
Technical Service and, where applicable, **Šternberská 446, Louky**
test laboratory approved for purposes **763 02 ZLÍN**
of approval or of verification of conformity: **CZECH REPUBLIC**
6. Datum protokolu vydaného touto službou: **04.06.2020**
Date of report issued by that service:
7. Číslo protokolu vydané touto službou: **S020-922**
Number of report issued by that service:
8. Důvod rozšíření (případně): -
Reason(s) of extension (if applicable):
9. Poznámky: -
Any remarks:
10. Místo: **Praha**
Place: **Prague**
11. Datum: **24.06.2020**
Date:
12. Podpis: **Václav Hořelka**
Signature: 
13. Součástí tohoto osvědčení je seznam dokumentů v schvalovací dokumentaci uloženém Administrativní službou, které vydaly schválení a které lze získat na základě žádosti.
Annexed to this communication is a list of documents in the approval file deposited at the Administrative Services having delivered the approval and which can be obtained upon request



Seznam příložených dokumentů / List of attached documents

- Žádost o homologaci / Request for approval
- Dezén pneumatiky / Tread pattern
- Profil pneumatiky / Tyre cross-section
- Prohlášení výrobce / manufacturer's declaration

^{1/} Strike out what does not apply.

APPLICATION FOR APPROVAL REGARDING ECE R106

1. Manufacturer's name or trade mark(s) on the tyre type : PETLAS / STARMAXX
2. Tread pattern designation by the manufacturer : TA-60 / TR-60
3. Manufacturer's name and address : **PETLAS TYRE INDUSTRY AND TRADE COMPANY.
Kindam Mah.
Ankara-Kayseri Cad. No.2/1
Kirsehir TURKEY**
4. Summarised description for candidate tyre
 - 4.1. Size : 13.6/12-38 14PR 142 A6
 - 4.2. Category of use : Tractor-drive wheel-standard tread
 - 4.3. Structure : Diagonal (Bias)
 - 4.4. Speed Category symbol : A6
 - 4.5. The load – capacity index : 142
 - 4.6. Tube or Tubeless type : TUBE TYPE
 - 4.7. Cold inflation pressure(kPa) : 330
 - 4.8. Inflation Pressure(kPa) : 330
 - 4.9. Water Burst Test Pressure (kpa) : 825
 - 4.10. Load/Speed Test Pressure (kpa) : N/A

Attachment

1. Drawings of tread patterns



APPLICATION FOR APPROVAL REGARDING ECE R106

5. TESTED TYRES:

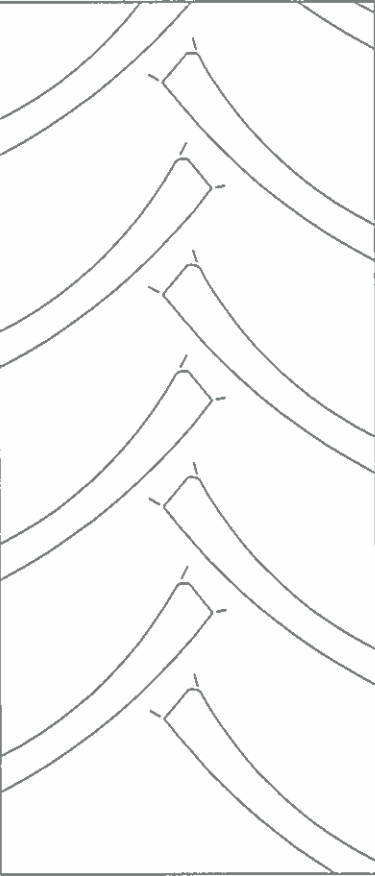
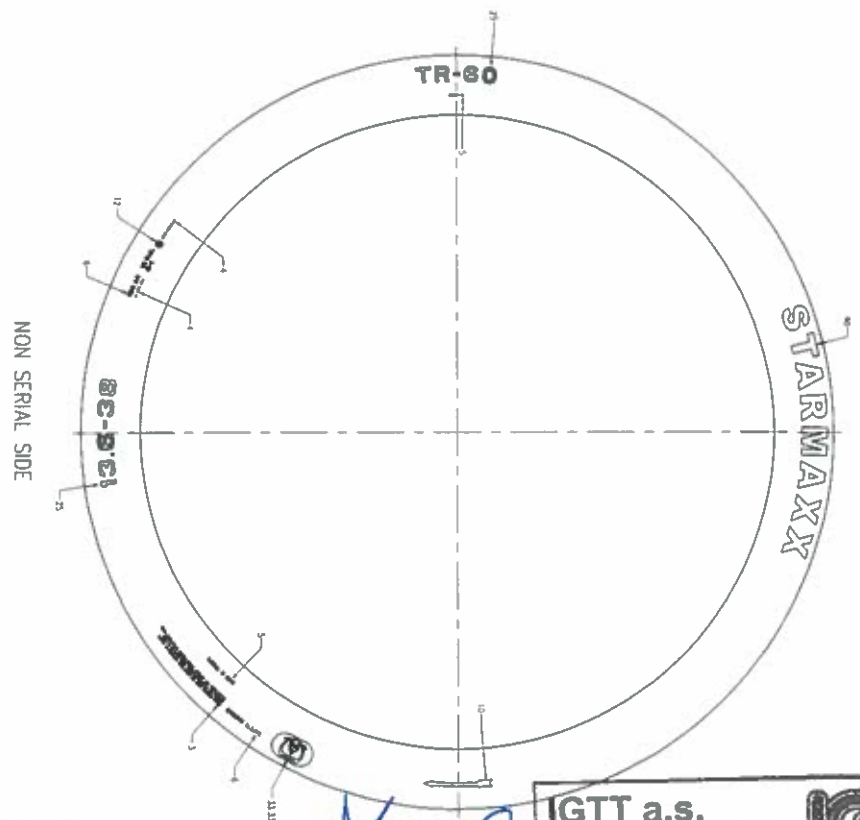
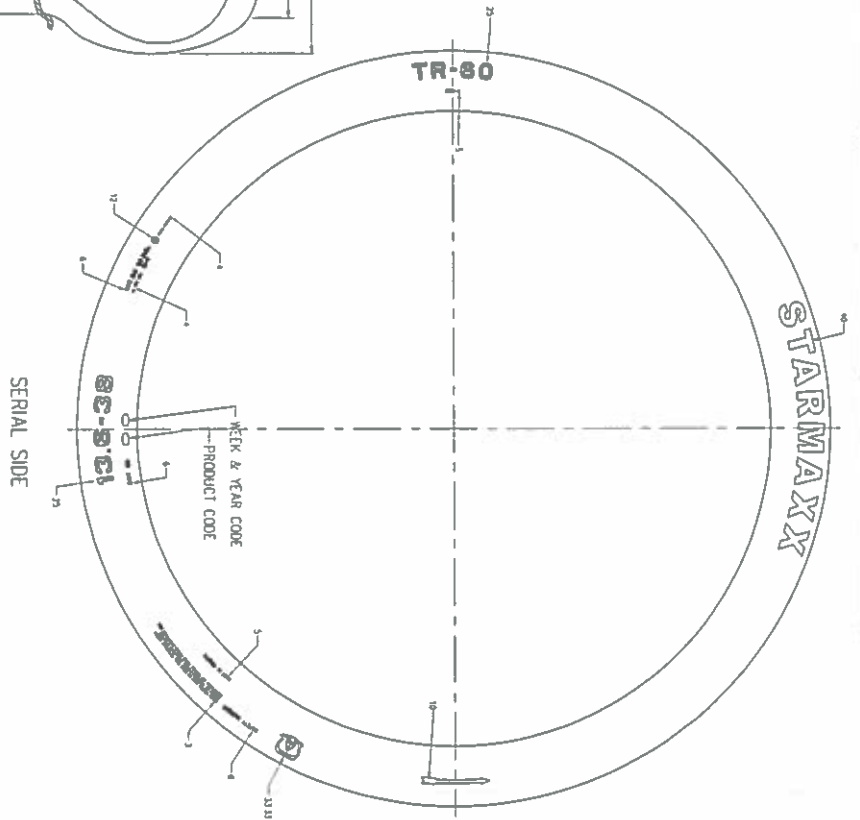
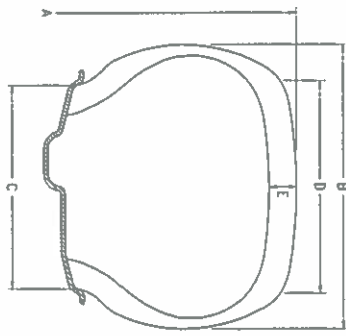
5.1. WATER BURST:

WATER BURST TEST TYRE		
SIZE	LOAD / SPEED INDEX	REASON TO BE WORST CASE
13.6/12-38	142 A6	MAXIMUM INFLATION PRESSURE

For Technical Drawings of Representative Tyres, Please See Attachment.

6. LIST OF SIZES COVERED BY REPRESENTATIVE TYRES:

13.6/12-38 142 A6



A6	13.6/12-38	142	-	X	A	B	C	D	E	001948	-	-
A6	13.6/12-38	142	-	X	1550	345	12.0	320	32	001948	-	-

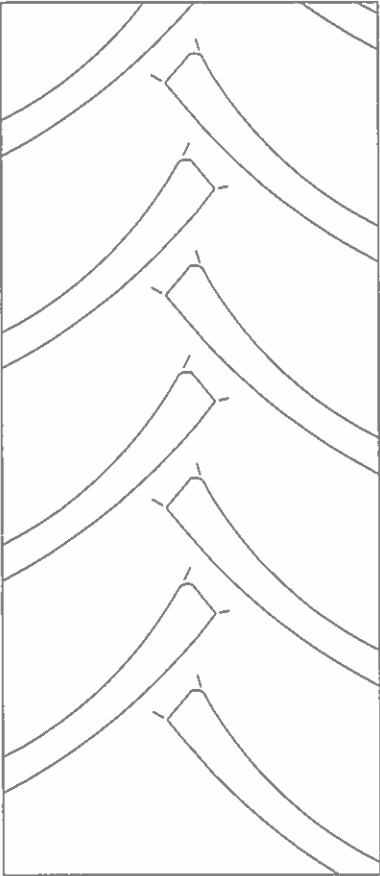
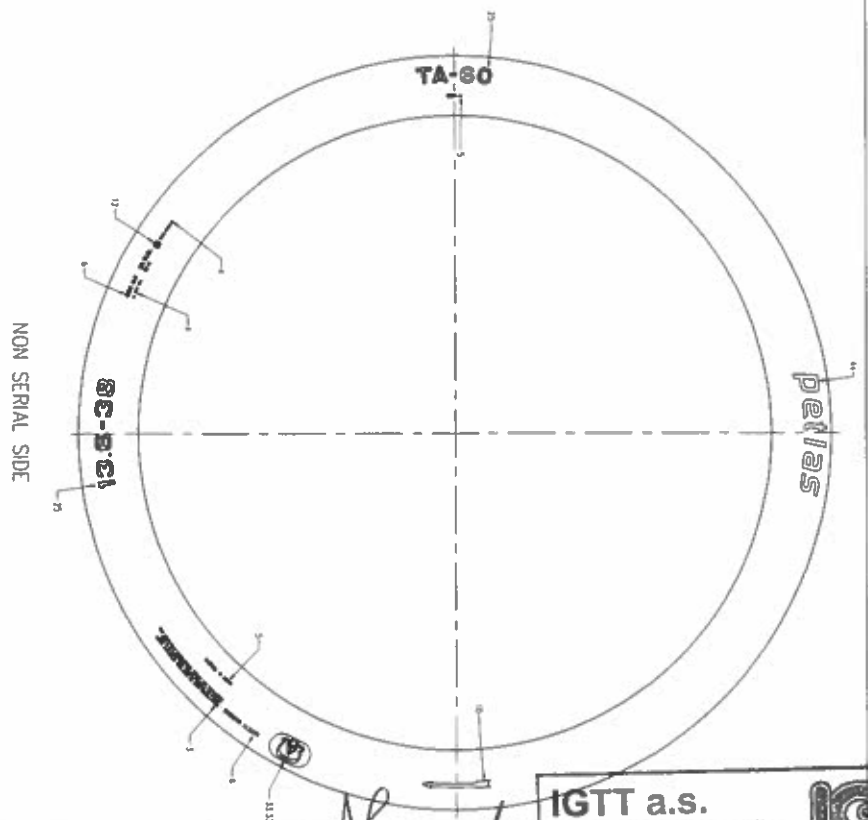
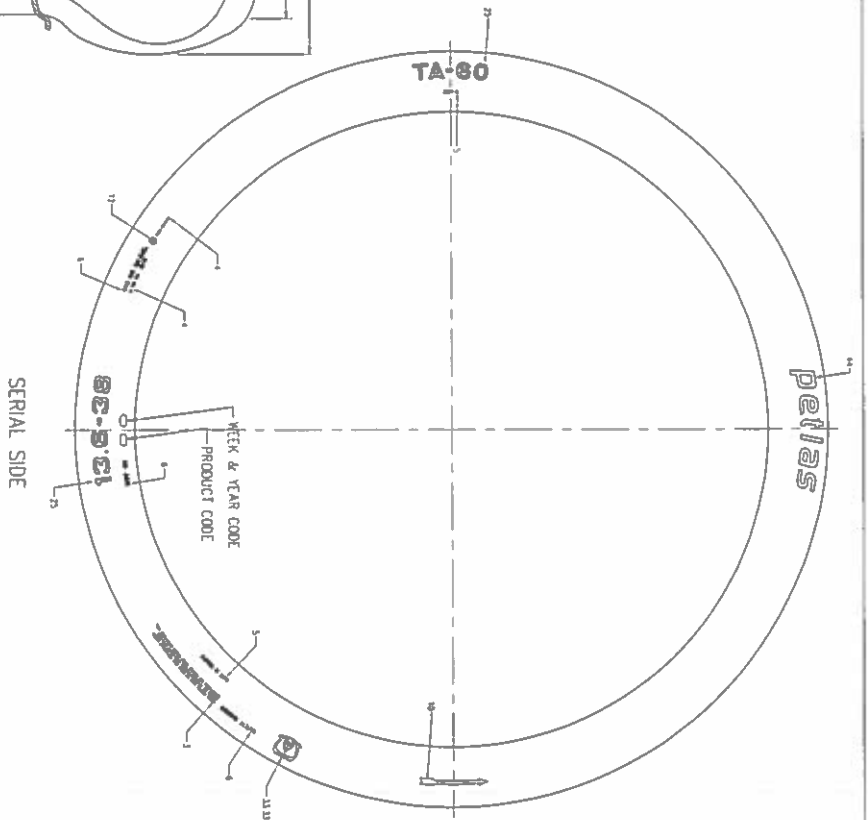
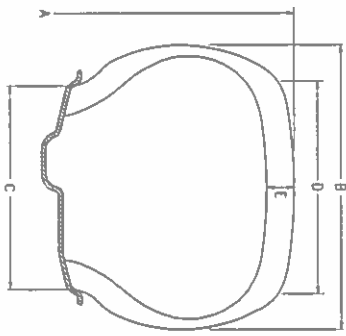
SR1 DESIGN (TREAD PATTERN) : TR-60	RESU NO. (DRAWING NO.)	TARIH (DATE)	KONTROLA (CHECKED)
SR1 (TREAD) : -	PKT-9801-3	22.06.2020	BRN
YAWK (SIDEWALL) : -			

IGTT a.s.
 homologace pneumatik
 Štemberská 446, Louky
 763 02 Zlín, Czech Republic
 IČ/ID: 46900080 DIČ/VAT: CZ46900080

IGT

23

[Handwritten signature]



A6	13.6/12-38	142	-	X	1550	345	12.0	320	32	001948	-	-
A6	13.6/12-38	142	-	X	1550	345	12.0	320	32	001948	-	-

SRPÍ DESIGN (TREAD PATTERN) : TA-60
 SRPÍ (TREAD) :
 VYMAK (SIDEWALL) :

RESU NO.
(DRAWING NO.)
PKT-9801-2

TARH
(DATE)
22.06.2020

KONTROL (CHECKED)
 DATE
 SIGNATURE

petlas

Lastik Sanayi ve Ticaret A.Ş.

Date : 17.06.2020
Ref. No : 155/058/020
Subject : DECLARATION
Cc : Mr.Vaclav Horelka
Tire Approval Department Head
IGTT ZLIN

To whom it may concern;

Petlas confirms, that pattern **PETLAS TA-60** is produced under the same specification as pattern **STARMAXX TR-60**.

Additional explanation ;

PETLAS TA-60 is produced with the same technology (same raw materials, same green tire specification, same machine, same mold) as pattern **STARMAXX TR-60** only the trade mark of the tire is changed.

BRAND-PATTERN	SIZE	APPROVAL NUMBER
PETLAS - TA-60	13.6/12-38 14PR TT 142 A6	E8 106R-001948
STARMAXX - TR-60	13.6/12-38 14PR TT 142 A6	E8 106R-001948


Product Performance Evaluation Manager

Kırşehir Kayseri Karayolu 7.Km. Gölhisar Mevkii KIRŞEHİR Tel. 0386 2526550 (20 Hat) Faks: 0386 2526670

www.petlas.com.tr petlas@petlas.com

Petlas bir Abdulkadir Özcan Otomotiv Lastik San. Ve Tic.A.Ş.Kuruluşudur.

IGTT a.s.

homologace pneumatik
Šternberská 446, Louky
763 02 Zlín, Czech Republic

IČ/D: 46900080 DIČ/VAT: CZ46900080

23



TYPE APPROVAL TEST REPORT

REPORT NO: S020-922

TYRE SPECIFICATION

Manufacturer Name	: PETLAS TIRE INDUSTRY AND TRADE CO	Speed Category Symbol	: A6
Manufacturer Address	: KINDAM MAH.ANKARA KAYSERI CAD. NO.2/1 KIRŞEHİR / TURKEY	Supplementary Service Description	: N/A
Brand	: PETLAS	Category of Use	: Tractor-drive wheel - standard tread
Pattern Name	: TA60	Structure	: Diagonal
Product Code	: 6771	TT/TL	: TT
Size Designation	: 13.6/12-38	Date of Manufacture	: 0920
Load Capacity Index	: 142	Barcode Number	: 55698272
		Approval Number	: E8 106R-001948

TEST AND EQUIPMENT SPECIFICATION

Test Tyre Receiving Date : 21.5.2020
Test Date : 1.6.2020
Reference Regulation : UNECE Regulation 106
Petlas Test Code : 3009
The Tests Conducted : 1 - Marking Control 2 - Dimensions Measurement 3 - Tyre Resistance to Bursting
Test Machine Name : WATER BURSTING TEST SYSTEM
Pressure Gauge Calibration No : 2049075
Caliper Calibration No : 2047459
Tape Measure Calibration No : 2047455
Test Rim : W12.00x38 S1
Test Technician : A.K.

CUSTOMER INFORMATION

Name : Same as Manufacturer
Address : Same as Manufacturer

TYRE VISUAL INSPECTION RESULT BEFORE TEST

Tyre was inspected and any evidence of failure was not detected.

Controlled by;
AYHAN UMUCU
Tyre Test Engineer
03.06.2020



Page 1 of 2

Approved by;
EKREM TURNA
Tyre Test and Homologation Engineer
04.06.2020

Petlas Secret Technical Information The document contains classified information. It must be kept in only Petlas and stored in a safe place. The test result in this report is only used for the tested tyre size which is specified in the report header. This test report shall not be reproduced other than in full except with the permission of Petlas

IGTT a.s.
homologace pneumatik
Štamberk 446, Louky
763 02 Zlín, Czech Republic
IČ/D: 46900080 DIČ/VAT: CZ46900080



NUMBER: 317-F-046-00

23



TYPE APPROVAL TEST REPORT

REPORT NO: S020-022

TEST 1 - MARKING CONTROL

Trade name or Mark	YES <input checked="" type="checkbox"/>	NO <input type="checkbox"/>	N/A <input type="checkbox"/>
Commercial/Pattern Name Marking	YES <input checked="" type="checkbox"/>	NO <input type="checkbox"/>	N/A <input type="checkbox"/>
Tyre Size Designation Marking	YES <input checked="" type="checkbox"/>	NO <input type="checkbox"/>	N/A <input type="checkbox"/>
Tyre Structure Marking	YES <input checked="" type="checkbox"/>	NO <input type="checkbox"/>	N/A <input type="checkbox"/>
The Service Description	YES <input checked="" type="checkbox"/>	NO <input type="checkbox"/>	N/A <input type="checkbox"/>
The Supplementary Service Description	YES <input type="checkbox"/>	NO <input type="checkbox"/>	N/A <input checked="" type="checkbox"/>
The Inscription (R-2 or LS-1 or IMP etc.)	YES <input checked="" type="checkbox"/>	NO <input type="checkbox"/>	N/A <input type="checkbox"/>
The pictogram, cold inflation pressure that shall not be exceeded for bead seating during tyre mounting	YES <input checked="" type="checkbox"/>	NO <input type="checkbox"/>	N/A <input type="checkbox"/>
Speed Category Symbol Marking	YES <input checked="" type="checkbox"/>	NO <input type="checkbox"/>	N/A <input type="checkbox"/>
Load Capacity Index Marking	YES <input checked="" type="checkbox"/>	NO <input type="checkbox"/>	N/A <input type="checkbox"/>
In kPa, of the Inflation Pressure (at or @ kPa)	YES <input checked="" type="checkbox"/>	NO <input type="checkbox"/>	N/A <input type="checkbox"/>
"TUBELESS" marking in case of without inner tube use	YES <input type="checkbox"/>	NO <input type="checkbox"/>	N/A <input checked="" type="checkbox"/>
Date of Manufacture	YES <input checked="" type="checkbox"/>	NO <input type="checkbox"/>	N/A <input type="checkbox"/>
Approval Number Marking	YES <input checked="" type="checkbox"/>	NO <input type="checkbox"/>	N/A <input type="checkbox"/>

RESULT : The tire markings are fulfill the reference regulation requirements.

TEST 2 - DIMENSIONS MEASUREMENT

Conditioning	: 24 hours at 25 ± 5 °C
Inflation Pressure (kPa)	: 330
Overall Widht Measurements (mm)	: 354,7 / 354,7 / 354,5 / 356,7 / 355,6 / 354,0
Maximum Circumference (mm)	: 4969

PARAMETERS	LIMIT VALUES (mm)	MEASURED VALUES (mm)
Nominal Overall Width-S	345,0	356,7
Maximum Overall Width-Smax	373,0	
Nominal Outer Diameter-D	1565,0	1581,7
Minimum Outer Diameter-Dmin	1541,0	
Maximum Outer Diameter-Dmax	1607,0	

RESULT : The dimensions are fulfill the reference regulation requirements.

TEST 3 - TYRE RESISTANCE to BURSTING

Inflation Pressure (kPa)	: 330
Test Pressue = 2,5 times higher (kPa) (Pmin= 600 kPa, Pmax= 1000kPa)	: 825
Min Test Duration (min)	: 10

RESULT : Tire completed the tyre resistance to bursting test without any failure.

FINAL RESULT: THE TYRE PASSED ALL TESTS ACCORDING TO THE REFERENCE REGULATION

PASSED

Controlled by;

AYHAN UMUCU
Tyre Test Engineer
03.06.2020



Approved by;

EKREM TURNA
Tyre Test and Homologation Engineer
04.06.2020