



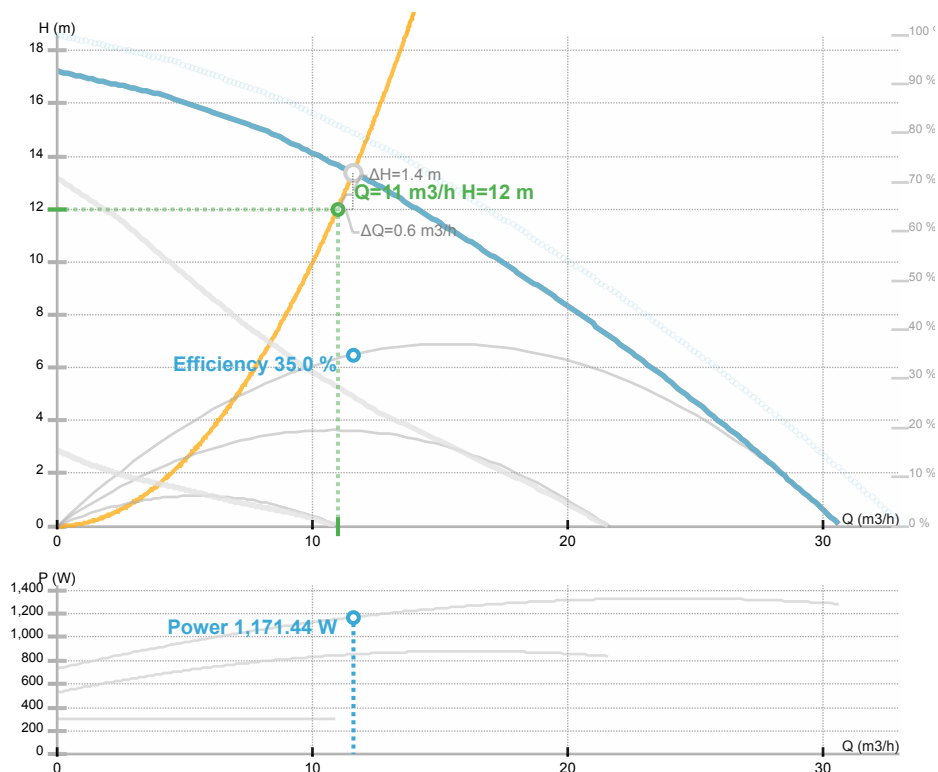
GHNbasic II 40-190F

979524575

 GHNbasic II / Three speeds circulation pumps with flanges
 Heating/cooling

GENERAL

Product number	979524575		
Product name	GHNbasic II 40-190F		
Seal type			
Net weight	22.00 kg		
Head max. (H max)	18.0 m	H min	0.0 m
Flow max. (Q max)	27.0 m³/h	Q min	0.0 m³/h
	%		
Noise	dB(A)		



ELECTRICAL DATA

Supply voltage	3~400 V
Mains frequency	50 Hz
Power input max.	1260 W
Speed max.	1200 - 2800 rpm
Insulation class	200 °C
Current max.	2.24 A
Protection class	IP44
Thermal protection	
Frame size	
Motor IE class	

INSTALLATION

Pumped liquid	water VDI 2035, glycol 50%
Liquid temperature	-10.0 ÷ 120.0 °C
Ambient temp.range	40 °C
Port-to-port length	250 mm
Pipe connection	40
Pressure rating	PN 6/10
Connection	PN 6/10
Max operating pressure	

MATERIAL

Bearing	Graphite
Impeller	Noryl 1630V
Hydraulics	gray cast iron
Shaft	AISI 431

GHNbasic II 40-190F

979524575

GHNbasic II / Three speeds circulation pumps with flanges

Heating/cooling





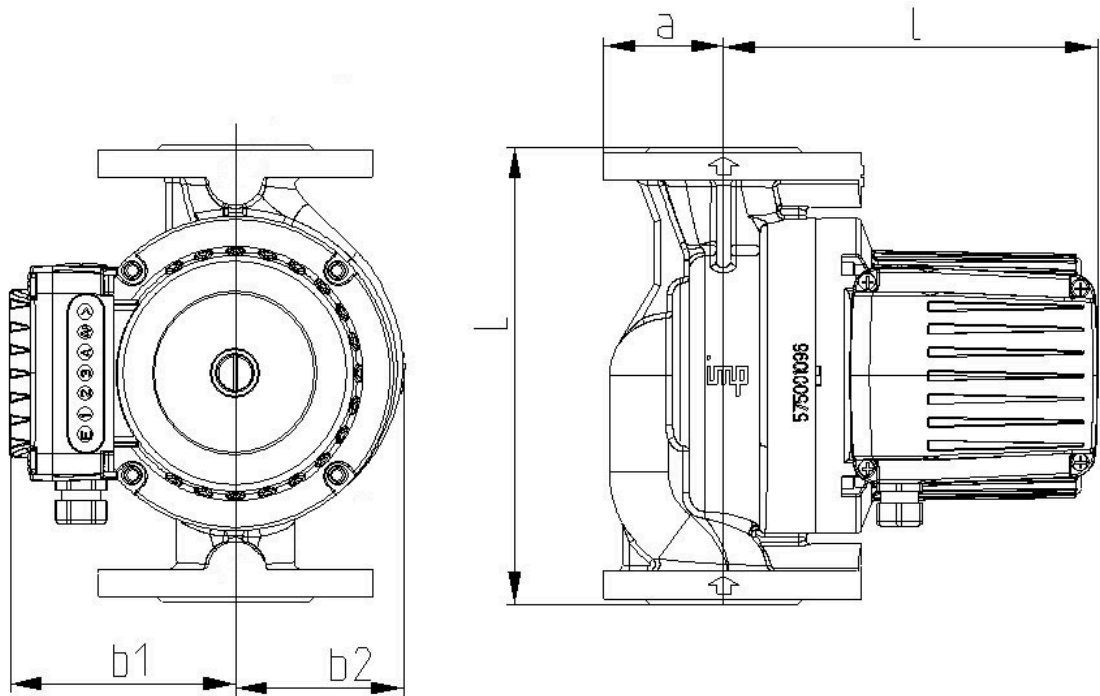
GHNbasic II 40-190F

979524575

GHNbasic II / Three speeds circulation pumps with flanges

Heating/cooling

Dimension drawing



DN=40 L=250 a=65 l=198 b1=125 b2=92 R=1/4

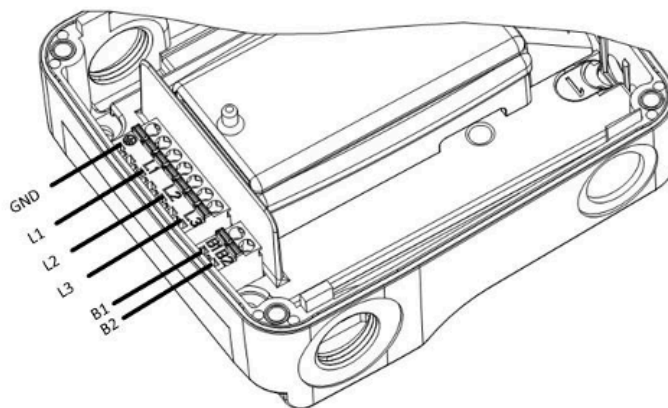
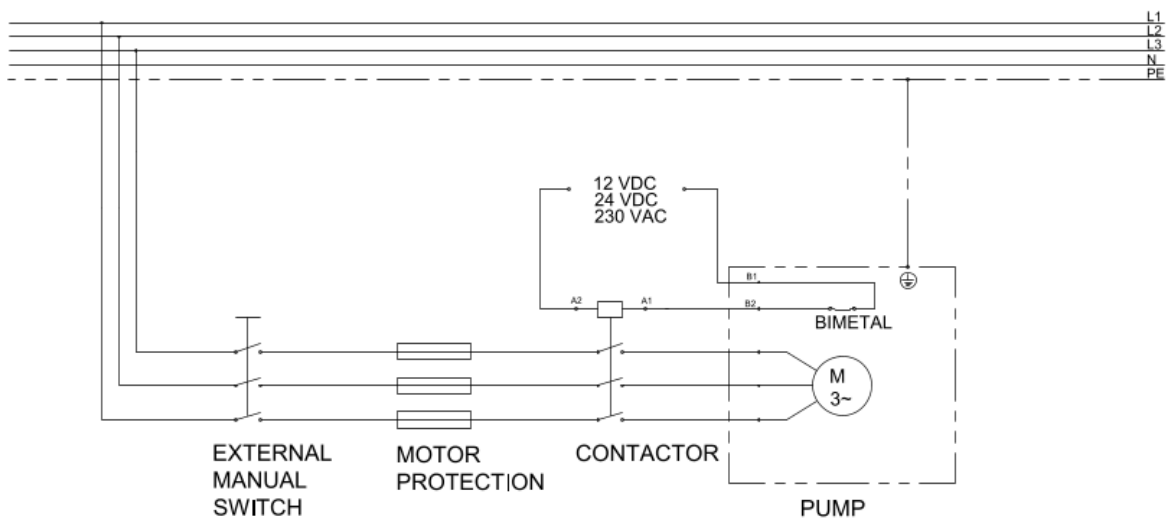


GHNbasic II 40-190F

979524575

GHNbasic II / Three speeds circulation pumps with flanges
 Heating/cooling

Electrical wiring





GHNbasic II 40-190F

979524575

GHNbasic II / Three speeds circulation pumps with flanges
Heating/cooling

GHNbasic II 40-190F is a circulation pump with manual three-stage regulation of the number of revolutions of the rotor, suitable for heating, cooling, ventilation and air conditioning systems. The pump has an asynchronous three-phase electric motor with a built-in bimetallic switch. Depending on the state of the bimetallic switch, the external control system may shut down the pump in case of overheating. The electrical installation must be equipped with a protective device to disconnect the electric motor from the power source, made in accordance with local electrical safety regulations. For the normal operation of the pump, it is necessary to provide a medium that is pure water or a mixture of pure water and antifreeze in accordance with the applicable standards on the quality of water in heating systems, for example the German standard VDI 2035. If the glycol content in the mixture is higher than 20%, it is recommended to check the pump parameters. Temperature range of the pumped medium: -10...+120 °C.

Operating point:

- Flow: 11 m³/h
- Head: 12 m

Head and flow tolerances according to ISO 9906-2015.

Electrical data:

- Voltage: 3~400 V
- Maximum current: 2.24 A

Installation data:

- DN: 40
- Installation length: 250 mm
- Net weight: 22 kg

The pump is available with flange (PN 6/10) connection. The hydraulic casing of the pump is made of gray cast iron, protected by a cathaphoretic coating, which contributes to greater resistance of the pump to the medium. The rotor can is made of one piece of AISI 316 stainless steel without welding, the rotor cladding is made of AISI 316 stainless steel, the pump shaft is made of AISI 431 stainless steel. The impeller is made of AISI 304 stainless steel, the bearings are made of graphite.