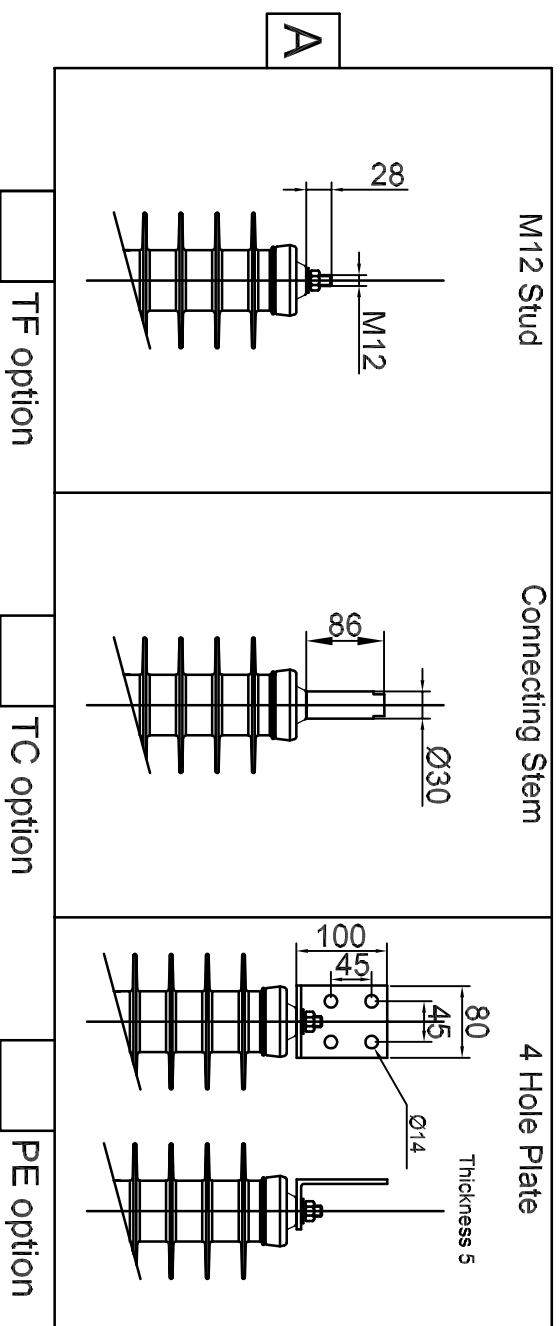


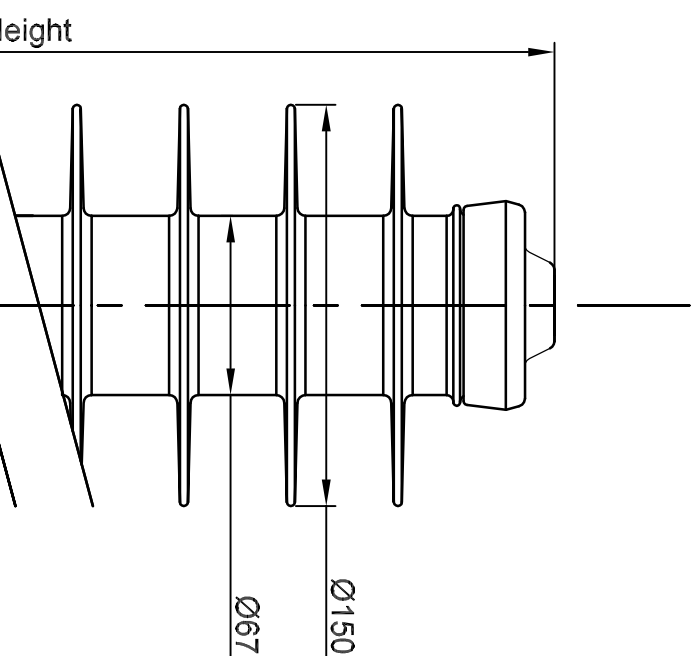
ALTERNATIVE LINE TERMINALS



Precise your choice for :

- A - Line terminal
- B - Arrester model
- C - Earth arrangement
- D - Optional surge counter

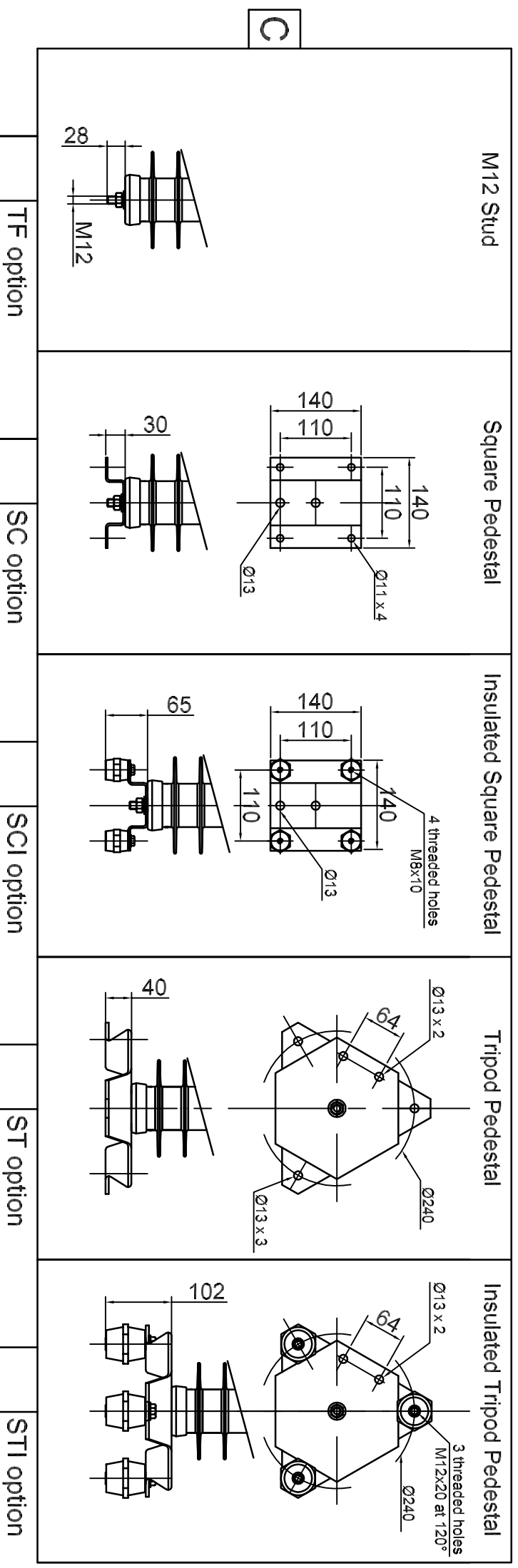
by checking the corresponding blank squares



SURGE ARRESTER MODEL

HTS	05	10	15	21	24	24-1G	30	36
Height (mm)	345							
B	<input type="checkbox"/>	<input type="checkbox"/>	<input type="checkbox"/>	<input type="checkbox"/>	<input type="checkbox"/>	<input type="checkbox"/>	<input type="checkbox"/>	<input type="checkbox"/>

ALTERNATIVE EARTH ARRANGEMENTS



D OPTIONAL SURGE COUNTER

NO
 YES (insulated pedestal required)

Ce plan est propriété de ENSTO Novexia SAS. Il ne peut être ni reproduit ni communiqué sans autorisation préalable.

Echelle: Dessinateur: EM Date : 01/09/16 Verification: FM

Range of single unit VARISIL
Type HTS Surge Arresters

A3 **ENP** **W** **8993 01 X1/E**

Folio : 1 / 1
 Ind: 02

