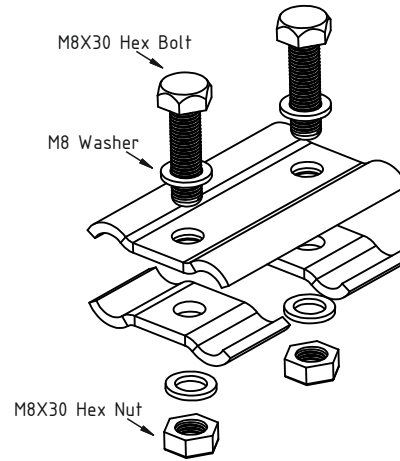
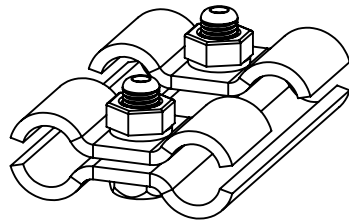


PRODUCT DRAWING

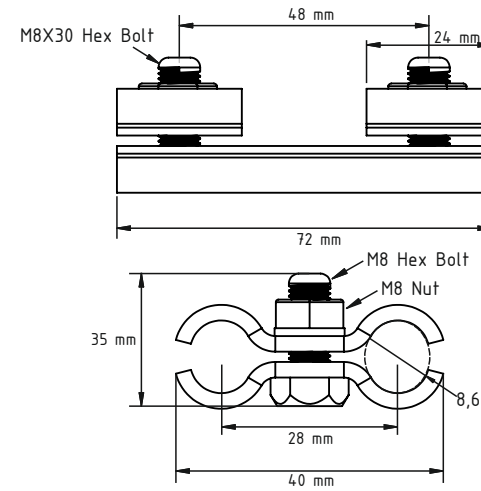
CODE

**PS 1-1**

Steel: ST37 or S235JR / EN 10025-2  
HDG-Steel, hot-dip galv. to TS-EN ISO 1461:2011 (HDG)



DIMENSIONS

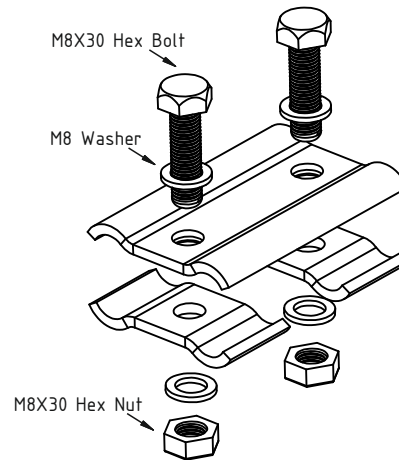
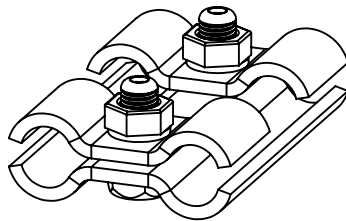


PRODUCT DRAWING

CODE

**PS 2-1**

Steel: ST37 or S235JR / EN 10025-2  
HDG-Steel, hot-dip galv. to TS-EN ISO 1461:2011 (HDG)



DIMENSIONS

