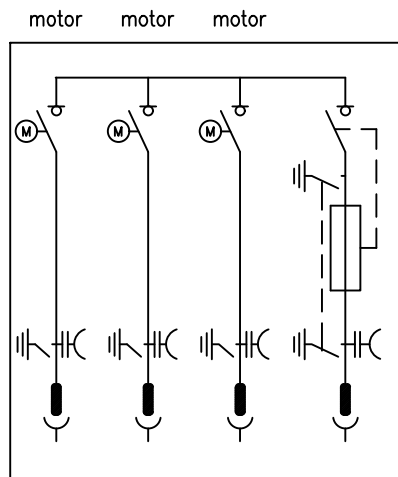
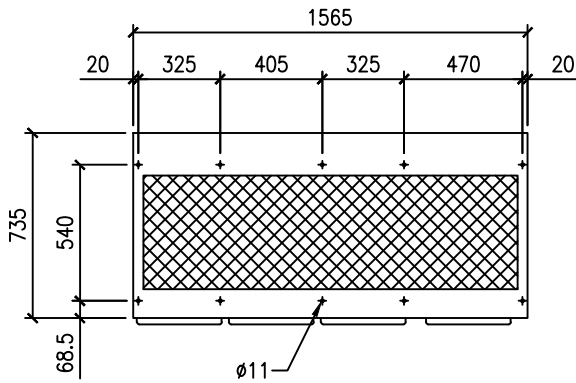
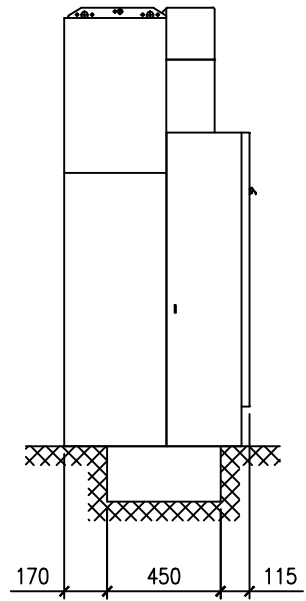
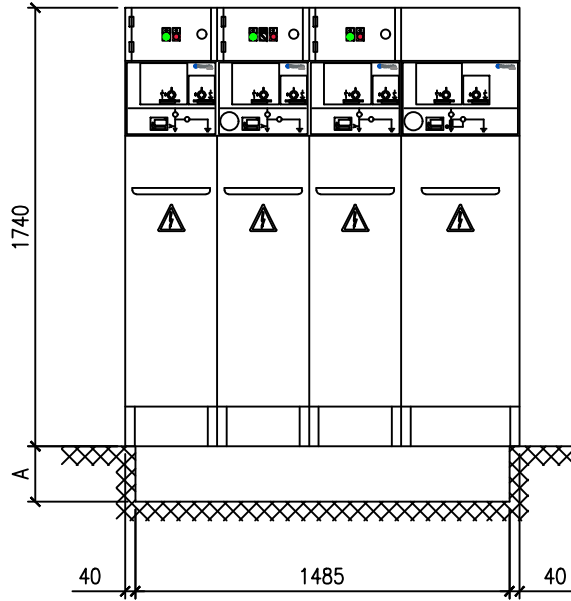


© THIS DOCUMENT IS THE PROPERTY OF ORMAZABAL. ALL RIGHTS ARE RESERVED AND ARE NOT TO BE COPIED OR REPRODUCED WITHOUT ORMAZABAL EXPRESS WRITTEN CONSENT.



PT130CCR1

A: CABLE TRENCH DEPTH ACCORDING TO CURVATURE RADIUS.

	ormabloc cgmcosmos 50-32-25 Tender RedNord		P024749	
	Designed by	I.F.G.	18-02-2025	Rev. N°: 0
	Revised by	I.G.M.	18-02-2025	Sheet 10 of 15
	Approved by			Scale : 1/30
			A4 metric	Contract No.