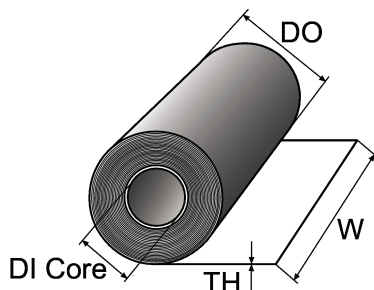


PRESS PAPER P.4.1A (ELEPHANTIDE K-BUFF)

EK410

Product descriptions

Medium density Base paper



Product properties

Standard:	IEC 60641-3-2 Type P.4.1A	Color:	Brown
Surface:	Kiss Calendered	Additional format:	Available as blank flat

Product information

Thicknesses (TH): 0.076 mm, 0.100 mm, 0.130 mm, 0.150 mm, 0.180 mm, 0.200 mm, 0.250 mm, 0.300 mm, 0.350 mm, 0.400mm, 0.450 mm, 0.500 mm to 1.00mm in steps from 0.100 mm (≥ 0.600 mm laminated)

Master size (W) thickness single-layer < 0.60 mm: 3400mm

Master size (W) thickness laminated ≥ 0.60 mm: 1420mm

Master size for blank flat (L x W): 2250 mm x 1100 mm

Standard widths (W) thickness single-layer < 0.60 mm: 1700mm, 1135mm or 850mm

Standard widths (W) thickness laminated ≥ 0.60 mm: 1100mm or 825mm

Standard inside diameter core (DI Core): 76 mm

Standard outside diameter (DO): 280 mm and 370 mm

Other sizes available by request.

Minimal order quantity: 1 rol

Alternative ordering unit: kg

Product parameters

Additional Information

Property	Unit	Range of thickness in mm	Value
Apparent density	g/cm ³		1
Tensile strength, machine direction	Mpa	≤ 0.2	115
		> 0.2	110
Tensile strength, cross machine direction	Mpa	≤ 0.2	50
		> 0.2	40
Elongation, machine direction	%	≤ 0.2	2
		> 0.2	2.4
Elongation, cross machine direction	%	≤ 0.2	7.2
		> 0.2	7.5
Moisture content	%		< 8.0
Ash content	%		0.3
Conductivity of aqueous extract	mS/m		2.2

Property	Unit	Range of thickness in mm	Value
pH of aqueous extract			7
Electrical strength in air unfolded	kV/mm	≤ 0.2	10
		> 0.2	7
Electrical strength in oil	kV/mm	≤ 0.2	70
		> 0.2	50

Please contact us for values outside the specified ranges. The specified tolerances are valid for measurements taken at Weidmann or after conveyance and warehousing under conditions appropriate for the material. Customers are advised to add appropriate additional tolerances in case of extreme environmental conditions at the place of warehousing or processing of the material.

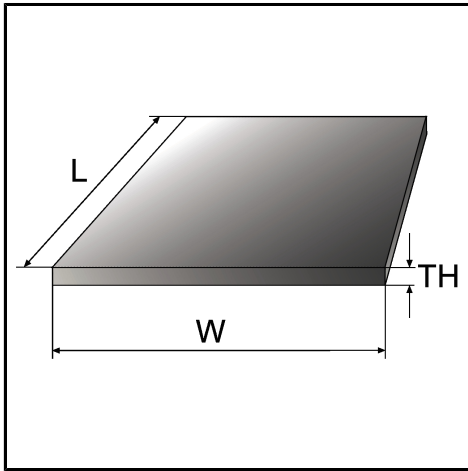
Ordering code

E3EK410.RP /TH/GRM/DO/DI Core/W/L

Disclaimer

This catalogue is based on Weidmann's knowledge as of the date of its publication. Instructions and explanations, while substantially accurate, are non-binding. Illustrations, specifications and average values are subject to change, do not guaranty actual product characteristics or specifications and are intended only to indicate possible uses of the Weidmann products. Customers alone must determine whether the products are suitable for their particular use and intended application and assume all risk and liability for unsafe or improper use or application. Weidmann shall not be liable for catalogue printing or other errors, for changes to Weidmann products or for any defects in the technical data or use of any information contained in the catalogue. Weidmann reserves the right always to revise the catalogue at any time, without notification. No part of this catalogue can form any part of or amend or alter any provision of any contract with respect to the Weidmann products. With respect to products in this catalogue, Weidmann disclaims all warranties, express or implied, including but not limited to, implied warranties of merchantability and fitness for a particular purpose. Weidmann shall not be liable for direct, indirect, special, incidental or consequential damages arising out of the purchase or use of products in this catalogue.

Drawings



PDF generated on: 2021-01-16 06:01:14