

220-240V
50/60 HzIP
66IK
08

Professional streetlight luminaire for LED light sources.

- Possible illuminance control
- Modern design
- Reliability



Other pictures



Code	Type of optics	Luminaire power [W]	Lumen luminaire [lm]	Efficacy [lm/W]	Colour temperature [K]	CRI/Ra	Operating temperature range [°C]
130292.5L011.010.002	O27	19	2350	124	4000	>70	-40 ... +55

Mechanical data

Mounting

on outriggers ø48-60mm

Body colour

gray

RAL

7035

Body

high pressure die-cast
aluminum

Lateral Surface Wind

Exposed

0.033 m²

Electrical data

Power supply efficiency

≤90%

Power

220-240V 50/60Hz

Includes light source

yes

Type of equipment

ED

Optical data

Way of lighting

direct

Diffuser

tempered glass

Photobiological

risk group

RG1

General data

Additional information

10kV surge protection

Other remarks

the pole and boom are not part of the luminaire; luminaire available in protection class I and II

LED lifetime [h]

(L75) 100 000, (L90) 100 000

Warranty

5 years

Compliant with British Standards: BS 5489-1:2020; BS EN 13201:2015; BS EN 60598-2-3:2003+A1:2011 and BS EN IEC 60598-1:2021+A11:2022.

Luminous flux tolerance +/- 10%.

Power tolerance +/- 5%.

Lighting beam, light intensity distribution and light efficiency were examined in accordance with the EN ISO 17025:2005 norm for EN13032 norm series and the LM-79 norm.

General Warranty Terms available on our website www.luglightfactory.com

Detailed information on luminous fluxes and powers for individual indexes are indicated on the product data sheet.

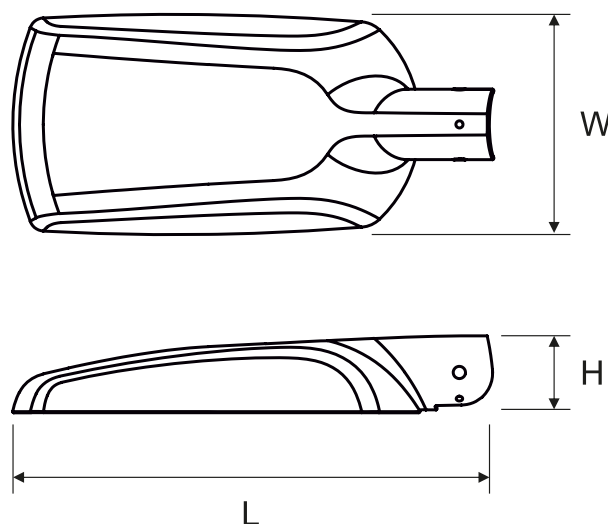
The parameters in the data sheet are given for Ta=25°C.

The operating temperature ranges apply only to luminaires used in the outdoor environment.

Colour temperature tolerance +/- 5%.

Dimensions

Dimensions [mm] LxWxH	Pallet quantity	Quantity in package	Net weight [kg]
505x230x80	70	1	3.5



Accessories



□ 150172.01021 TRAFFIK LED Adjustable
bracket ø60mm



150170.01022 2 field connectors IP68



150170.01023 3 field connectors IP68



150170.01024 4 field connectors IP68



150170.01025 5 field connectors IP68