

220-240V
50/60 Hz

CE



EAC

IP
66IK
08

Professional streetlight luminaire for LED light sources.

- Possible illuminance control
- Modern design
- Reliability



Mechanical data

Mounting

on outriggers $\varnothing 48-60\text{mm}$

Body colour

gray

Operating temperature range

-35 ... +50

RAL

7035

Body

high pressure die-cast
aluminum

Lateral Surface Wind

Exposed

0.033 m²

Corrosion class

C4

Electrical data

Electrical connection

luminaire equipped with
3x1.5 mm² wire with a length
of 60 cm

Power

220-240V 50/60Hz

Includes light source

yes

Luminaire power [W]

19

Type of equipment

ED

Light source / lamp

LED

Optical data

Way of lighting

direct

Type of optic

O27 - for local roads

Diffuser

tempered glass

Colour temperature [K]

4000

CRI/Ra

>70

ULOR / DLOR

0% / 100%

Lumen luminaire [lm]

2750

Efficacy [lm/W]

144

SVM

≤0,4

PstLM

≤1

Number of LEDs

48

General data

Additional information

10 kV surge protection

Other remarks

the pole and boom are not part
of the luminaire

LED lifetime [h]

(L75) 100 000

Warranty

5 years

Compliant with British Standards: BS 5489-1 2020; BS EN 13201 2015; BS EN 60598-2-3:2003+A1:2011 and BS EN IEC 60598-1:2021+A11:2022.

Luminous flux tolerance +/- 10%.

Power tolerance +/- 5%.

Lighting beam, light intensity distribution and light efficiency were examined in accordance with the EN ISO 17025:2005 norm for EN13032 norm series and the LM-79 norm.

General Warranty Terms available on our website www.luglightfactory.com

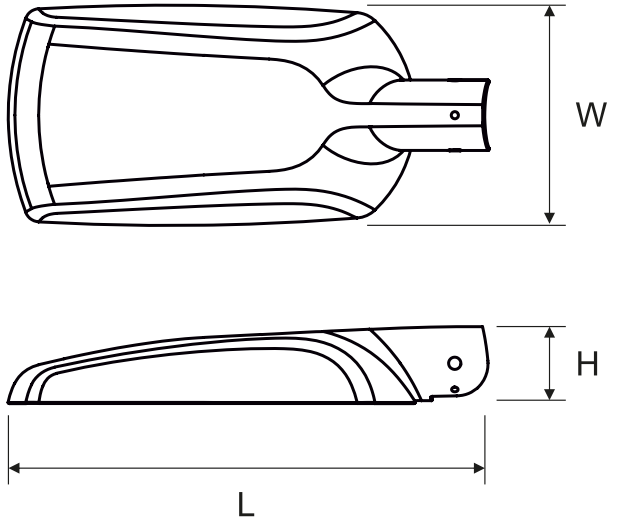
Detailed information on luminous fluxes and powers for individual indexes are indicated on the product data sheet.

The parameters in the data sheet are given for Ta=25°C.

The operating temperature ranges apply only to luminaires used in the outdoor environment.

Colour temperature tolerance +/- 5%.

Dimensions

Dimensions [mm] LxWxH	Pallet quantity	Quantity in package	Net weight [kg]	
505x230x80	70	1	3.5	

Accessories



150172.01021

TRAFFIK LED Adjustable
bracket ø60mm



150170.01022

2 field connectors IP68



150170.01023

3 field connectors IP68



150170.01024

4 field connectors IP68



150170.01025

5 field connectors IP68