

DS-MCW406**Linux Economical Wi-Fi Body Camera**

- 2688 × 1520 2K HD recording
- IR function to recognize the facial features in the captured picture even in dim environment
- Realtime status transmitted to central platform via Wi-Fi connection.
- Small size, light weight, and convenient to carry.

▪ Specification

CPU	
CPU	Single core, 32 bit, Main frequency: 0.96 GHz
Camera	
Image Sensor	1/3" progressive scan CMOS
Max. Resolution	2688 × 1520
Min. Illumination	Color: 0.07 Lux @ (F2.0, AGC ON), 0 Lux with supplement light
Day & Night	Switch IR Cut Filter Automatically
Zoom	4× Digital
Lens	
Focal Length	2.4 mm fixed lens
FOV	Horizontal FOV: 129° Vertical FOV: 70° Diagonal FOV: 140°
Aperture	F2.0
Video	
Video Format	PS, MP4
Pre-record & Post-record	Pre-record: 10 s; Post-record: 60 s
Sub Stream	30 fps (1280 × 720, 720 × 576)
Video Compression	H.264, H.265
Main Stream	60 Hz: 30 fps (2688 × 1520, 1920 × 1080, 1280 × 720, 720 × 576)
Audio	
Audio Compression for Video Recording	G722.1, AAC
Audio Compression for Audio Recording	PCM
Audio Compression for Group Intercom	G711.A, G711.MU, G722.1
Audio Bit Rate	G711.A (64 kbps), G711. MU (64 kbps), G722.1 (16 kbps), AAC (64 kbps), PCM (128 kbps)
Image	
Image Format	JPEG
Image Resolution	5 MP, 16 MP, 30 MP, 40 MP
Image Stabilization Algorithm	
Image Stabilization Algorithm	Not supported
Screen	
Screen Size	1.77"
Display Resolution	128 × 160
Screen Brightness	Typical value: 400 cd/m ²
Touchscreen	Not supported

Storage	
RAM	128 MB
ROM	Default 32 GB, 64 GB/128 GB/256 GB optional
IR	
IR Range	Up to 10 m
IR Wavelength	850 nm
Wireless Network	
Wi-Fi Frequency Band	2.412 to 2.472 GHz
Bluetooth	Not supported
Wi-Fi Protocol	802.11 a/b/g/n
Positioning Mode	GPS
NFC	Not supported
Network	
Protocol	HTTPS, RTSP, NTP, FTP
API	ONVIF (PROFILE S, PROFILE G, PROFILE T), ISAPI, SDK, ISUP
Security	
Encryption	AES128, AES256
Watermark	Supported
Interface	
Audio Type	1 built-in mic(s), 1 speaker(s)
USB	USB 2.0
Indicator	2 Indicator(s) for Charging/Working/Recording/Exception
Button	Power, Recording, Audio recording, Picture capture, Menu, Up, Down, Enter
Charging Interface	Type-C
Smart Functions	
Smart Functions	Not supported
Group Intercom	
Group Intercom	Not supported
General	
Operating Condition	- 20 °C to 55 °C (- 4 °F to 131 °F). Humidity 95% or less (non-condensing)
Power	5 V DC, 2.0 A, max. 10 W
Dimension	85 mm × 59 mm × 30 mm (3.4" × 2.3" × 1.2")
Weight	125 g (without mounting) (0.27 lb.)
Operating System	Linux
Client	Hik-Connect, HikCentral Pro, HikCentral Master Lite
MIC	Supported
Speaker	1 Built-in speaker, Max. power consumption: 1 W, Max. sound pressure level: 87 dB (10 cm)
Vibration Motor	Not supported
Gyroscope	Not supported
Battery	
Battery Type	Lithium-ion battery, integral
Capacity	2500 mAh
Charging Time	≤ 3 h
Battery Duration	Up to 12 h in 720p resolution ¹

Approval	
RF	EN 300 328 V2.1.1 (BT or 2.4G); EN 62311: 2008 (BT or 2.4G);
EMC	CE-EMC: EN 55032: 2015, EN 61000-3-2: 2019, EN 61000-3-3: 2013, EN 50130-4: 2011 + A1: 2014
Safety	CB: IEC 62368-1: 2014 + A11, IEC 62368-1: 2018 CE-LVD: EN 62368-1: 2014/A11: 2017, EN IEC 62368-1: 2020 + A11: 2020 CE-LVD: EN 62368-1: 2014/A11: 2017
Environment	CE-RoHS: 2011/65/EU, WEEE: 2012/19/EU, Reach: Regulation (EC) No 1907/2006
Protection	IP67: IEC 60529-2013
Drop Test	
Drop Test	MIL-STD-810G, 2 m drop test
Warranty	
Warranty	2 years for the device without battery, 1 year for the battery

1: This is a basic estimation of battery working life only when recording is on. Additional power consumption should be considered when IR, GPS, and/or network connection is on.

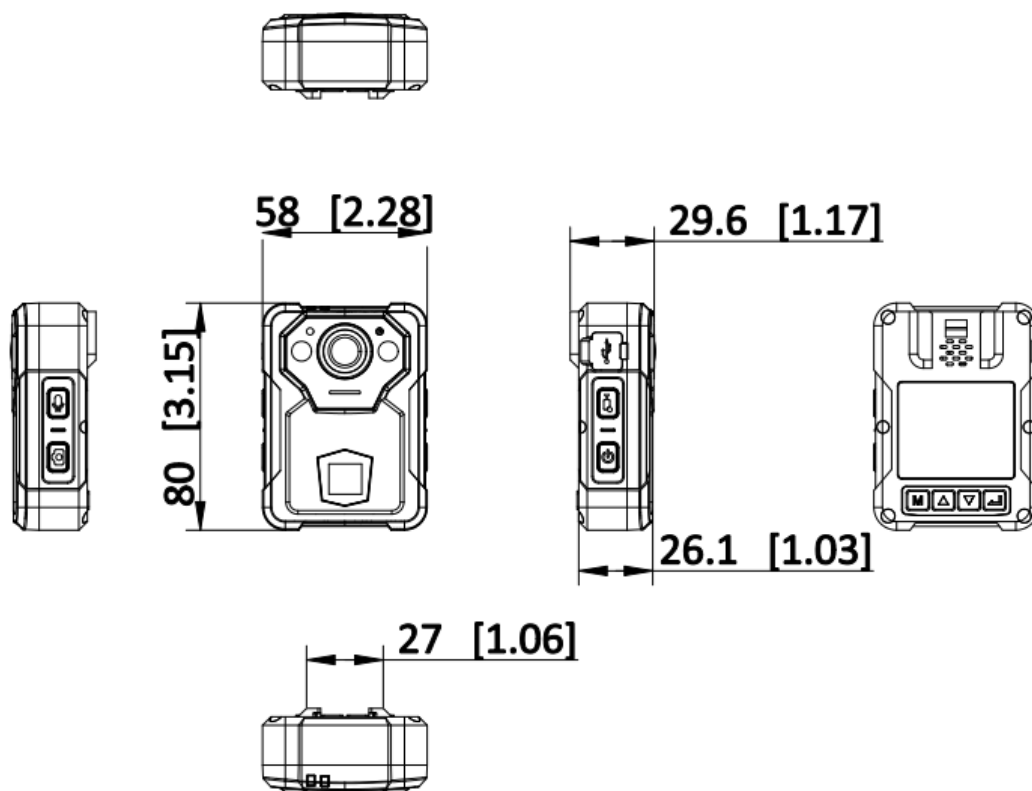
▪ Available Model

DS-MCW406/32G/GPS/WIFI

DS-MCW406/32G

DS-MCW406/32G/GPS/WIFI/NS

▪ **Dimension**

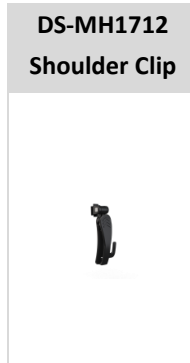


Unit: mm [inch]

SCALE	1:1
-------	-----

▪ **Accessory**

▪ **Included**



▪ **Optional**

<p>DS-MH1710-N1 23 Series Body Camera Shoulder Clip</p>	<p>DS-MH1710-N1-MG Metal Clip</p>	<p>DS-MH1710-N1-S Body Camera Metal Clip</p>	<p>DS-MH1711 Body Camera Chest Harness</p>	<p>DS-MH1721 Oblique Shoulder Harness</p>
				
<p>DS-MH1310-M1 Body Camera Battery</p>	<p>DS-MH1712 Clip of Body Camera</p>	<p>DS-MH1717 Body Camera - Magnetic Clip</p>	<p>DS-MH1716 Body Camera - Alligator clip</p>	<p>DS-MH1715 Body Camera - Wearable Clip</p>
				

See Far, Go Further



www.hikvision.com
support@hikvision.com

