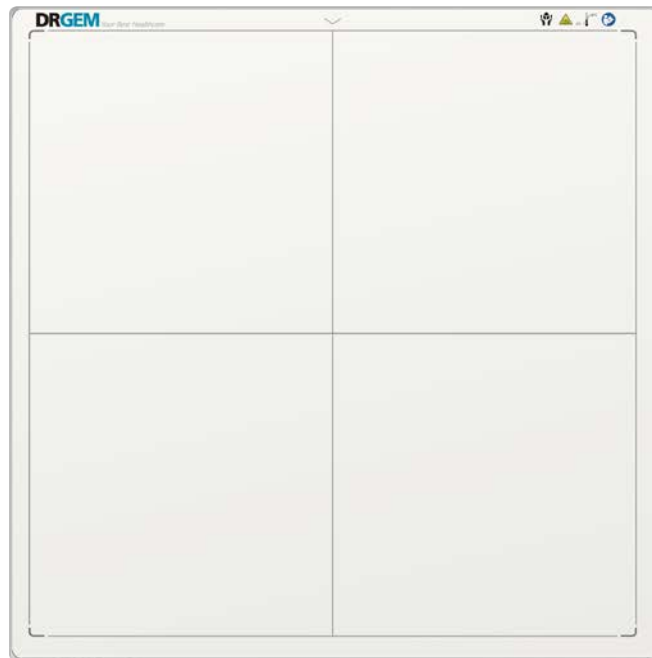


Mano4343W

X-ray Detector

Product Specifications



1. SPECIFICATION

NO.	Specification	Performance
1	Detector Technology	Amorphous Silicon
2	Scintillator	CsI
3	Active Area	427mm x 427mm
4	Number of Pixels	3072 x 3072
6	Pixel Pitch	139 um
7	AD Conversion	16 bit
8	Trigger Mode	AED(Optional) / Software
9	Data Interface	Ethernet / WiFi(802.11ac)
10	Dimension	460mm x 460mm x 15mm (± 1 mm)
11	Weight	4.3 kg (without battery) 4.6 kg (with battery)
12	Static Loading	150kg Uniformity
13	Battery Capacity	5 hours (Full Performance)

● Product Description and Feature

Mano4343W is a 17x17 cassette-size wireless portable flat panel detector designed for Human used digital radiography.

- Fast workflow
- More image details
- Excellent image quality
- Cassette-size flat panel detector

● **Image Performance**

NO.	Specification	Performance
1	MTF @ 1.0 LP/mm (Typ.)	71%
2	MTF @ 2.0 LP/mm(Typ.)	44%
3	MTF @ 3.0 LP/mm(Typ.)	26%
4	DQE @ 0 LP/mm (2.7uGy@RQA5, Typ.)	65%
5	DQE @ 1.0 LP/mm (2.7uGy@RQA5, Typ.)	47%
6	DQE @ 2.0 LP/mm (2.7uGy@RQA5, Typ.)	35%
7	Limiting Resolution (without phantom or grid)	3.6 lp/mm
8	Sensitivity (LSB/uGy)	Typ. 700
9	Maximum Linear Dose (uGy)	Typ. 60

● **Workflow**

NO.	Specification	Performance
1	Trigger Mode	AED(Optional) / Software
2	Preview Image Time	Typ. 3s
3	Full Image Time	Typ. 5s
4	Cycle Time	Typ. 8s

OPERATING

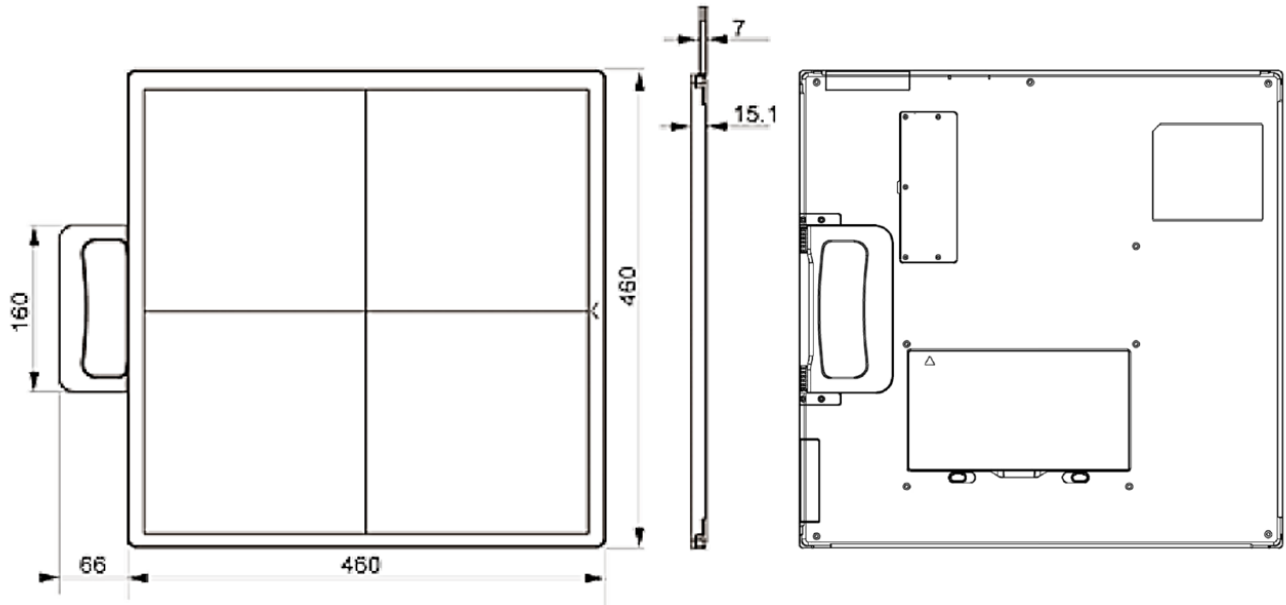
Ambient temperature range 5 °C to 35 °C (41 °F to 95°F)
 Relative humidity range 10% to 90%, non-condensing
 Atmospheric pressure range 700 hPa to 1060 hPa
 Altitude Limit This product is rated to operate at an altitude ≤3000m

TRANSPORT AND STORAGE

Ambient temperature range -20 °C to 55 °C (-4 °F to 131 °F)..
 Relative humidity range 5% to 95%, non-condensing.
 Atmospheric pressure range 700 hPa to 1060 hPa

2. DIMENSION

Unit: mm



REVISION HISTORY

Revision Number	Date	Description
0	SEP 17, 2019	First Edition



7Fl. E-B/D Gwangmyeong Techno-Park, 60 Haan-ro,
Gwangmyeong-si, Gyeonggi-do, Korea 423-795
Tel: +82-2-869-8566 / Fax: +82-2-869-8567 / www.drgem.co.kr