

THE NETHERLANDS
(N E D E R L A N D)

COMMUNICATION

Concerning ⁽¹⁾

- ~~approval granted~~
- approval extended
- ~~approval refusal~~
- ~~approval withdrawn~~
- ~~production definitely discontinued~~

of a type of tyre for motor vehicles pursuant to Regulation number 30.

Approval number: E4*30R02/22*109482*03

1. Manufacturer's name and address : ZODO TIRE CO., LIMITED
The South of Yalujiang Road, Wenzhuang Village Qinghe Agency of
Cao County Heze City
Shandong Province 274400
China (PRC)
2. Tyre type designation⁽²⁾
 - 2.1. Brand-name(s)/trademark(s) : See annex 1 of communication form
 - 2.2. Trade description(s)/Commercial name(s) : See annex 1 of communication form
3. If applicable, name and address of the manufacturer's representative : Not applicable
4. Summarised description
 - 4.1. Tyre size designation : 215/65R16
 - 4.2. Category of use : ~~normal~~/snow/~~special use~~ / ~~temporary use~~ ⁽¹⁾
 - 4.3. Structure : ~~diagonal~~ / ~~bias belted~~ / radial/ ~~run flat tyre~~ ⁽¹⁾
 - 4.4. Speed category symbol : T
 - 4.5. Load-capacity index : 98

Approval number: E4*30R02/22*109482*03

- 4.6. Extended Mobility Tyre : ~~Yes~~ /No⁽¹⁾
5. Technical service and, where applicable, test laboratory approved for purposes of approval or of verification of conformity : IDIADA Automotive Technology S.A. Institute for Applied Automotive Research
L' Albornar P.O. Box 20
E-43710 Santa Oliva (Tarragona)
Spain
6. Date of report issued by that service : 2021-03-29
7. Number of report issued by that service : CN21030999
8. Reason(s) of extension (if applicable) : Update of tyre type designation(s)
Upgrade of regulation supplement number
Update of manufacture name
Change of technical service
9. Any remarks : Not applicable
10. Place : Zoetermeer
11. Date : 12 April 2021
12. Signature :


P. Lingsma

13. The list of documents in the approval file which are deposited at the administrative service having delivered the approval and which can be obtained upon request.
- Application form relating to ECE approval for a pneumatic tyre pursuant to Regulation number 30.
 - The drawing of the tyre's sidewalls, tread and dimensioned cross-section.
 - The test report as mentioned in item 7.

⁽¹⁾ Strike out what does not apply

⁽²⁾ A list of Brand name(s)/trademark(s) or Trade description(s)/Commercial name(s) may be annexed to this communication

Approval number: E4*30R02/22*109482*03

Annex 1

2. Tyre type designation

2.1. Brand-name(s)/trademark(s):

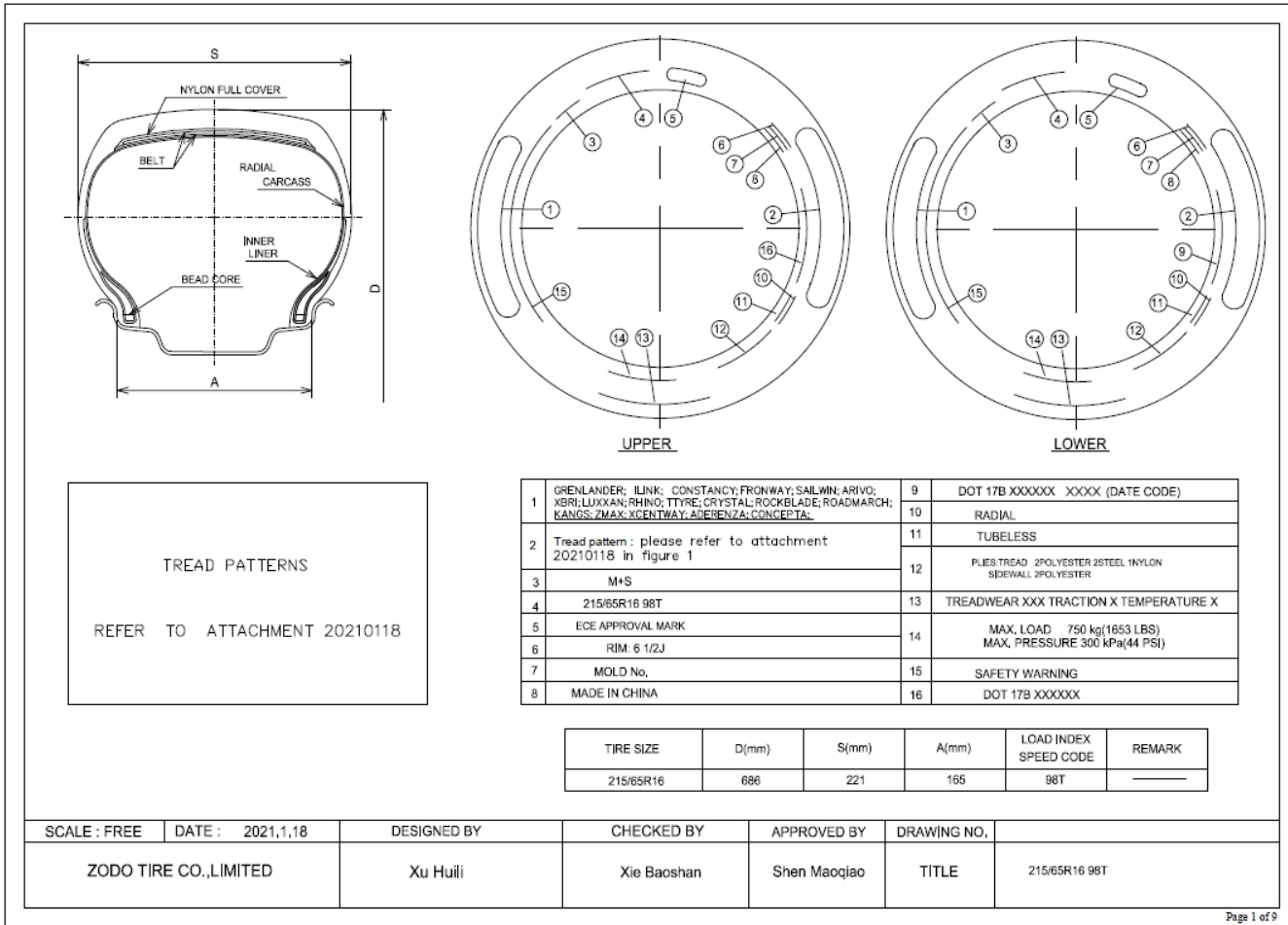
GRENLANDER; I LINK; CONSTANCY; FRONWAY; SAILWIN; ARIVO; XBRI; LUXKAN; RHINO; T TYRE; CRYSTAL; ROCKBLADE; ROADMARCH; KANGS; ZMAX; XCENWAY; ADERENZA; CONCEPTA

2.2. Trade description(s)/Commercial name(s):

COLO H01; L-GRIP66; LY168; ECOGREEN 66; VENUSATR 66; PREMIO ARZ1; ECOLOGY; INSPIRER C4; THREE; ROCK 515; PRIMESTAR 66; Energize; Winter GL868; Winter IL868; LY868; ICEPOWER 868; ICEWINNER 868; WINMASTER ARW2; ROCK 868S; SNOWROVER 868; THIRTY TWO; COMMANDER W7; ICEPIONEER 868; GREENWING A/S; MULTIMATCH A/S; FRONWING A/S; FREIMATCH A/S; Carlorful A/S; PRIME A/S; ROCK A/S ONE; FORTY ONE; INSPIRER A/S 1; X-SPIDER A/S; COLO H02; L-GRIP55; ECOGREEN 55; VENUSATR 55; PREMIO ARZERO; INSPIRER ECO; ROCK 555; PRIMESTAR 55; LANDGEMA; Transcender 701; SPEEDLINE D2; COLO H03; L-GRIP99; ECOGREEN 99; VENUSATR 99; INSPIRER C9; ROCK 999; ECOPRO 99; LANDGEMA II; ICEHAWKE I; SNOWGRIPPER I; ICEMASTER I; SNOWHAWKE I; Winmaster ProX ARW3; SNOWPLOTTER I; ICECRUISER I; Winter Xpro 888; WINTERHAWKE I; POLARSNOW; MAGA A/T TWO; FORZA A/T 2; TERRAMAX LSR2 A/T; TERRA XPLOER C2 A/T; GLADIATAX A/T II; ROCKBLADE A/T II; TERRAMAX ARV PRO A/T; INSPIRER A/T II; TOUGH TRAC A/T II; ROCK 737 A/T; PRIMEMAX A/T II; CAPACITY; DREAMWIND A/T; CLIMBER A/T II; OPENLAND A/T D2; MAHO 79; POWERCITY 79; ROADPOWER H/T 79; SAILKING H/T 79; TRAVERSO ARV H/T; INSPIRER F6; ROCK 719 H/T; PRIMEMARCH H/T 79; GALLOPRO H/T; Fortuner 801; ENDURANCE H/T D2; MAHO 77; POWERCITY 77; TOPOWER 87 H/T; ROADPOWER H/T; ROADKING H/T; Maxim; TERRANO ARV H/T; FORZA H/T 2; INSPIRER F4; TWENTY TWO; ROCK 717 H/T; PRIMEMARCH H/T 77

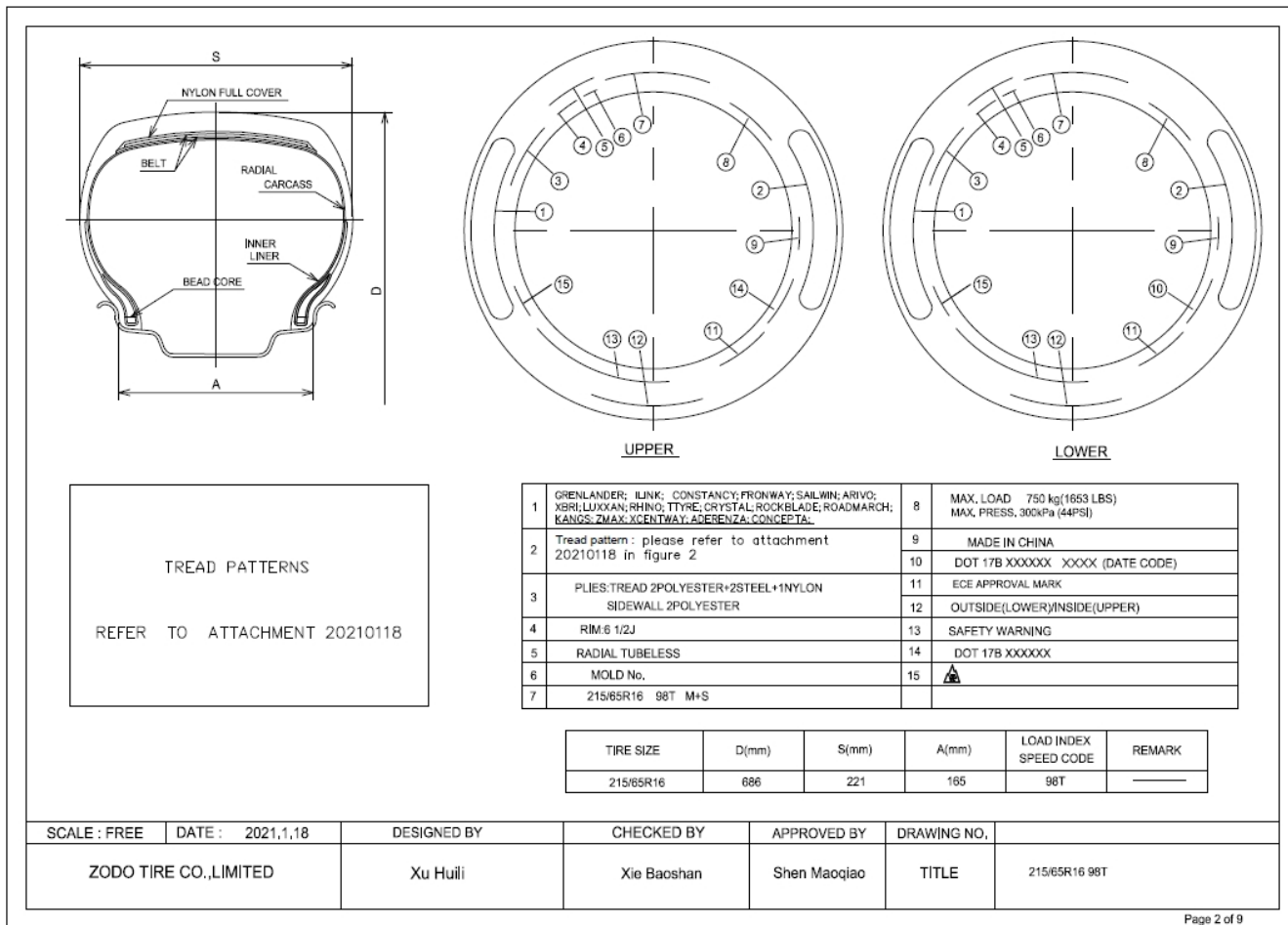


APPENDIX 1. CONSTRUCTION IMAGE (1)



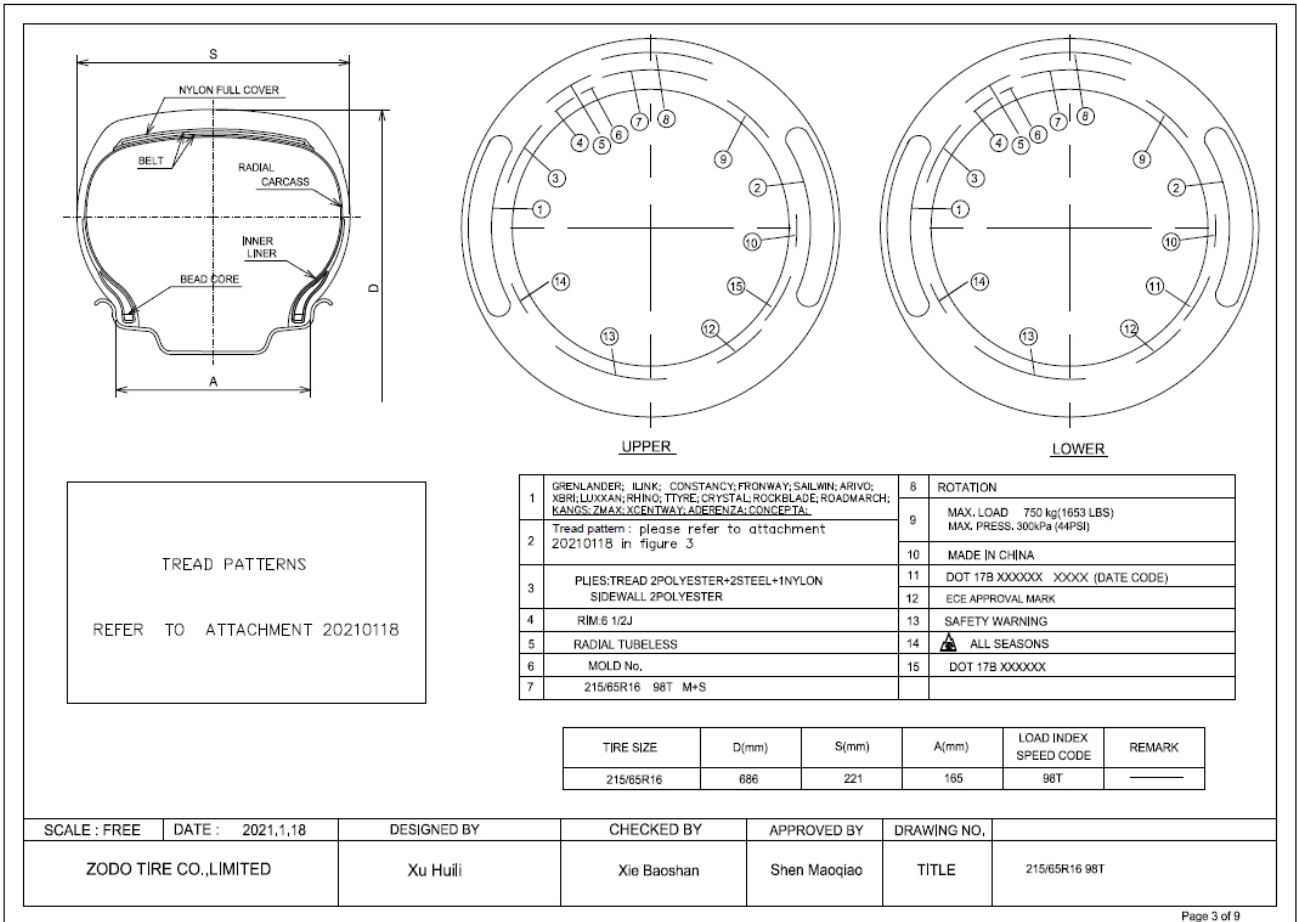
(1) The tyre marking statements are considered leading in case of deviating drawing information.

APPENDIX 2. CONSTRUCTION IMAGE (1)



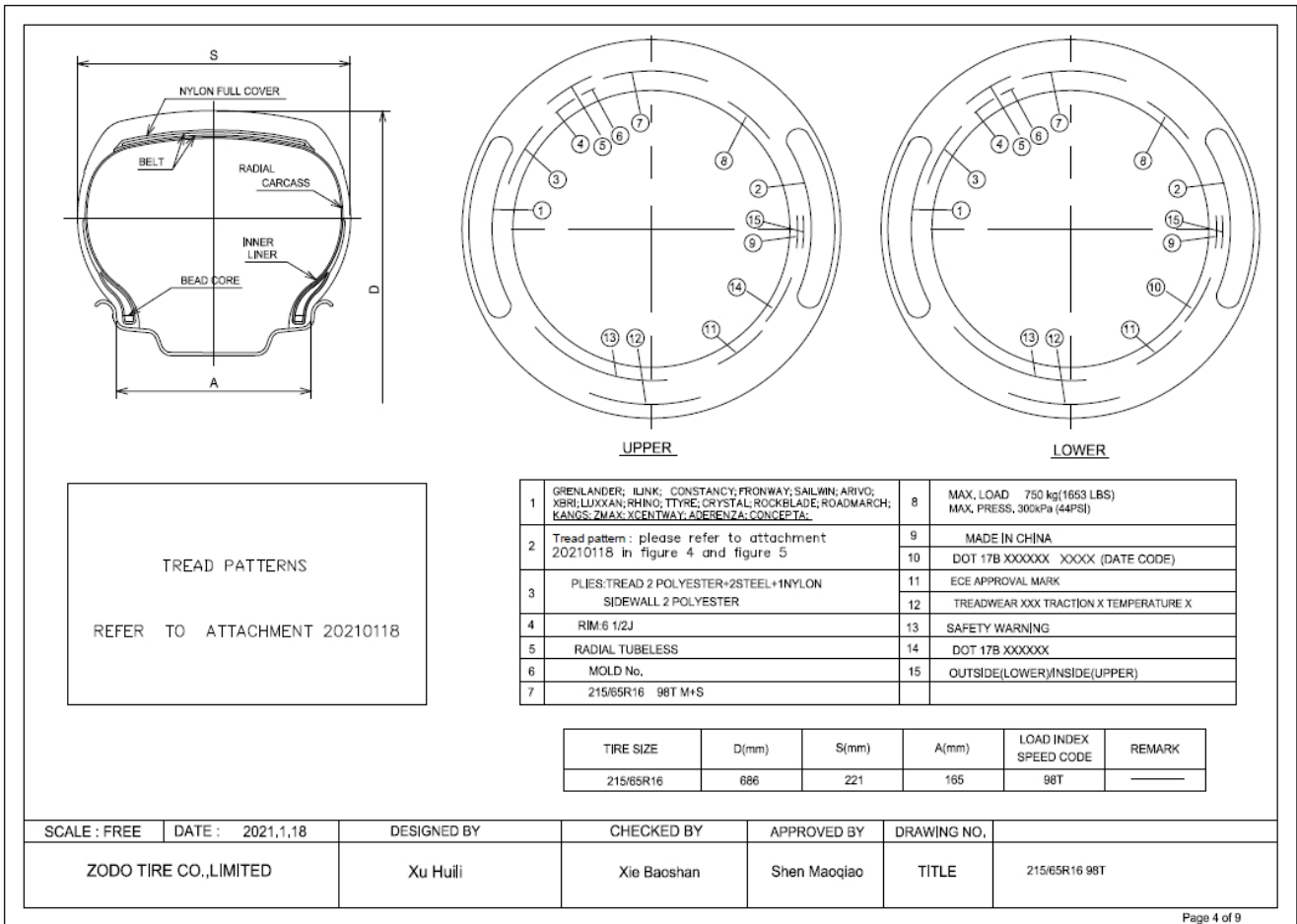
(1) The tyre marking statements are considered leading in case of deviating drawing information.

APPENDIX 3. CONSTRUCTION IMAGE ⁽¹⁾



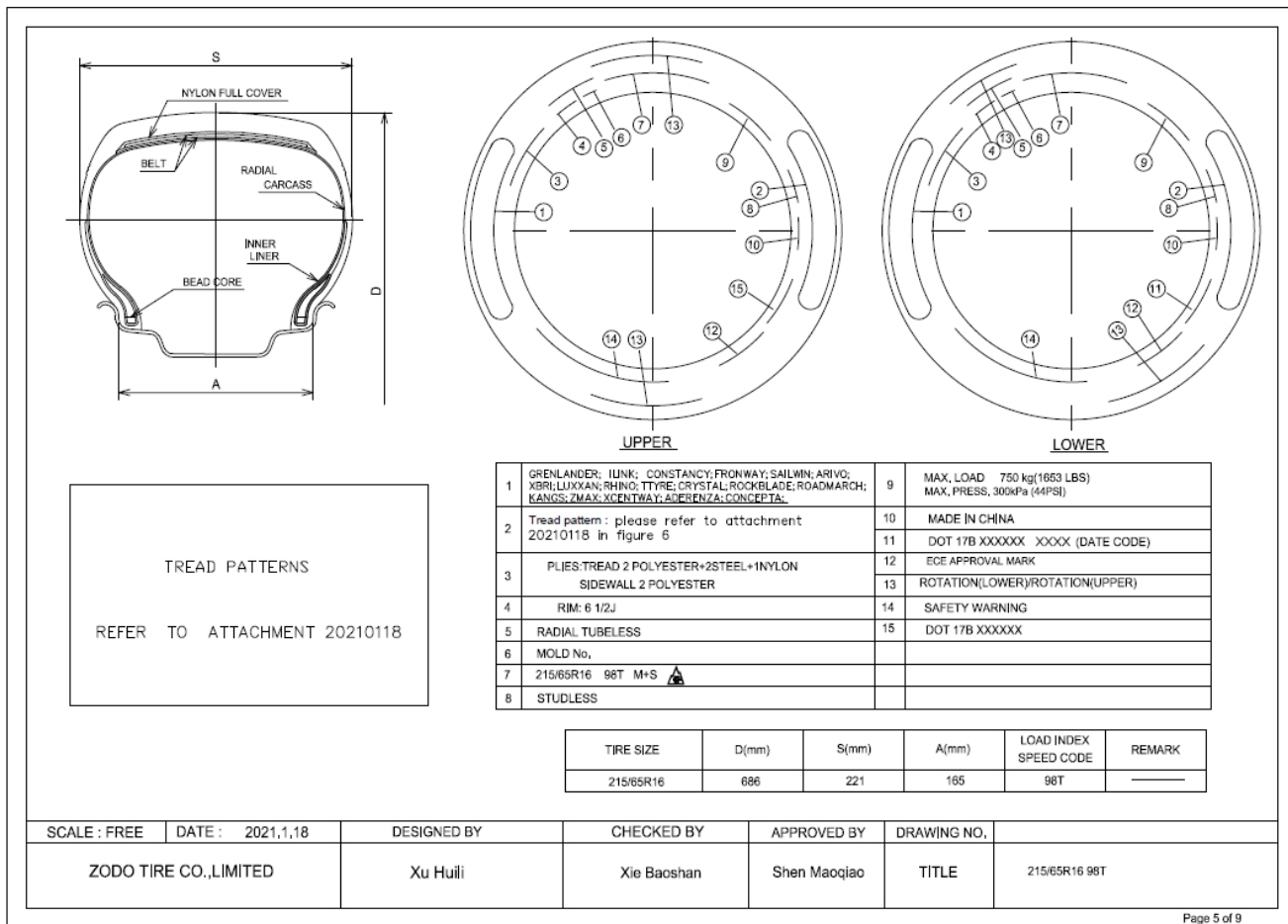
⁽¹⁾ The tyre marking statements are considered leading in case of deviating drawing information.

APPENDIX 4. CONSTRUCTION IMAGE (1)



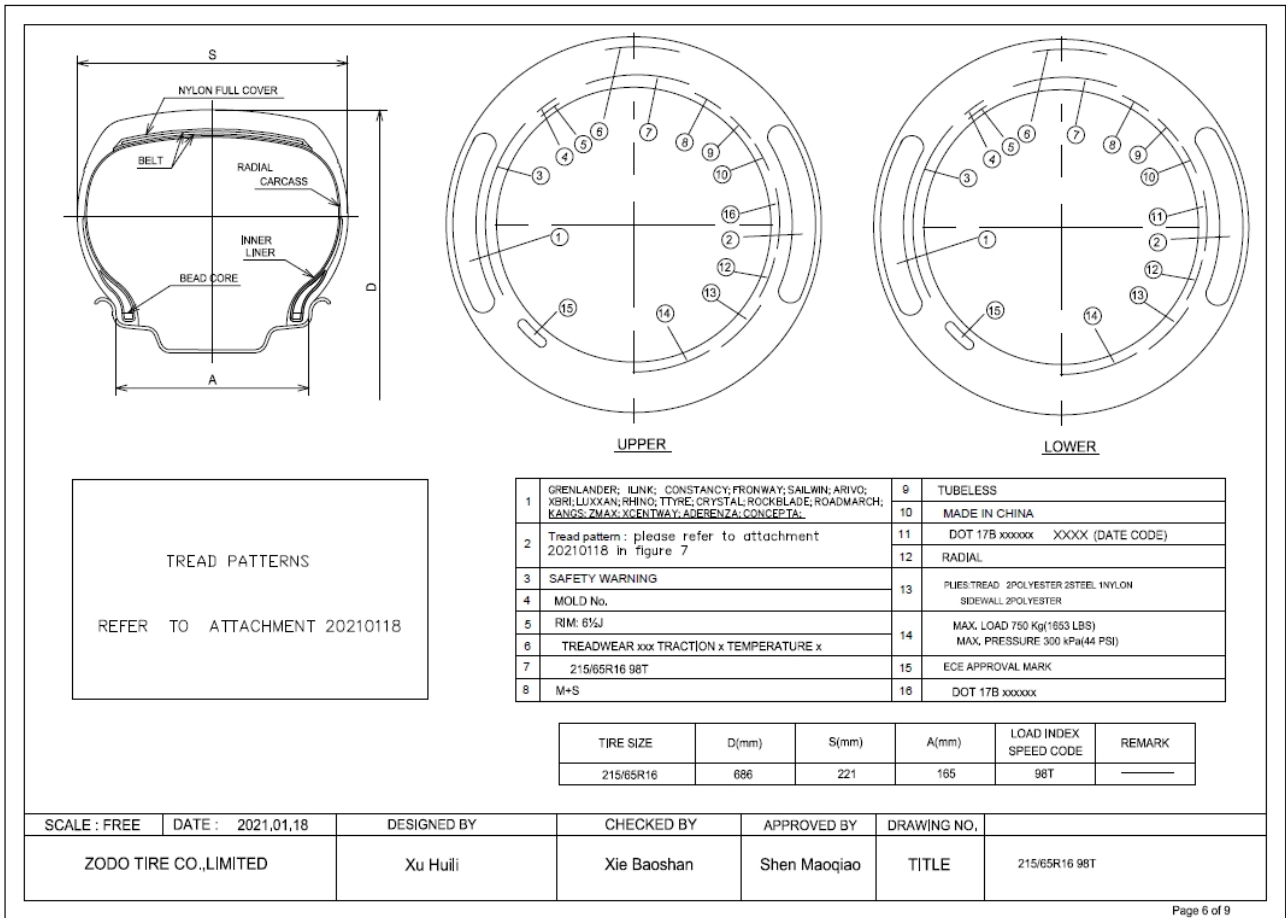
(1) The tyre marking statements are considered leading in case of deviating drawing information.

APPENDIX 5. CONSTRUCTION IMAGE (1)



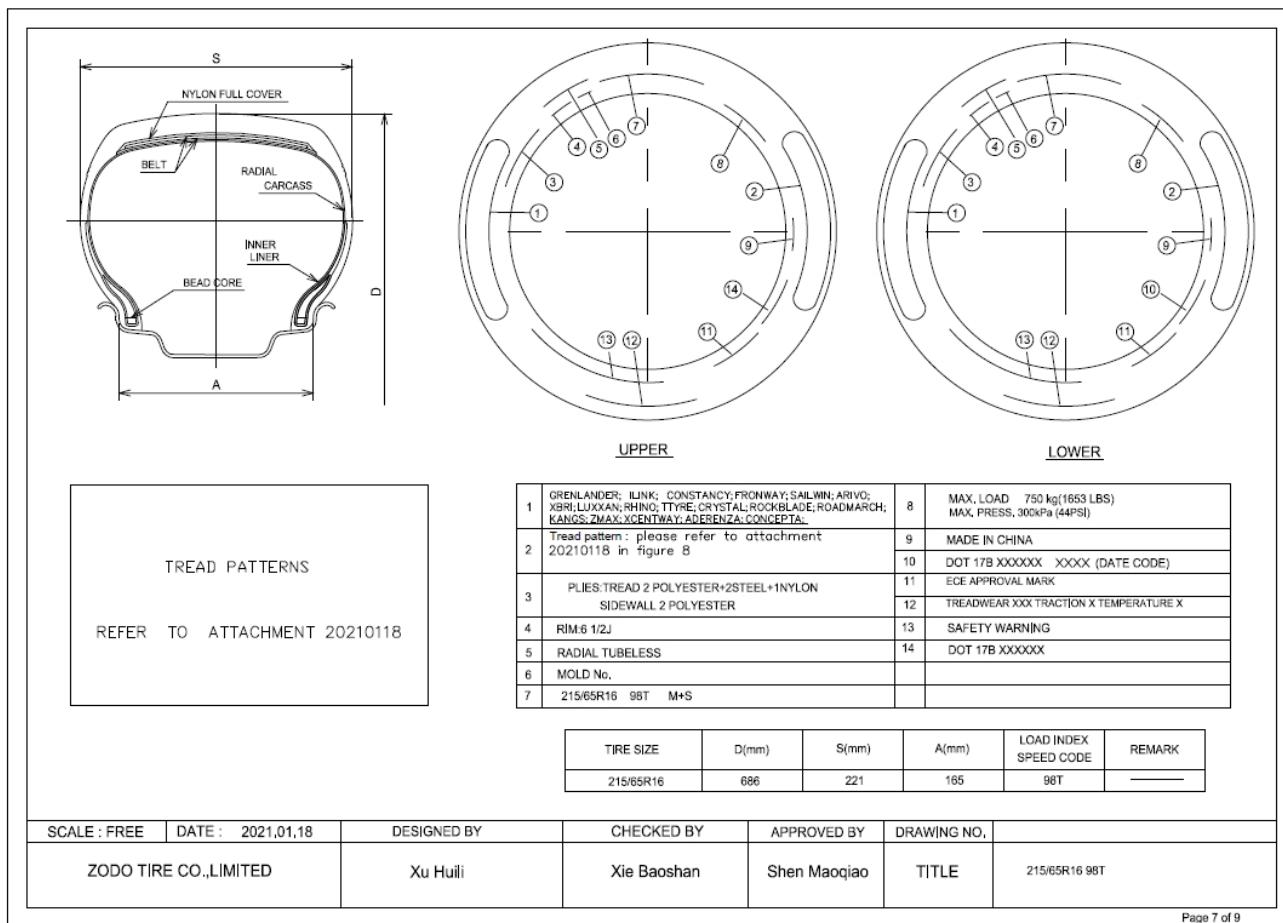
(1) The tyre marking statements are considered leading in case of deviating drawing information.

APPENDIX 6. CONSTRUCTION IMAGE (1)



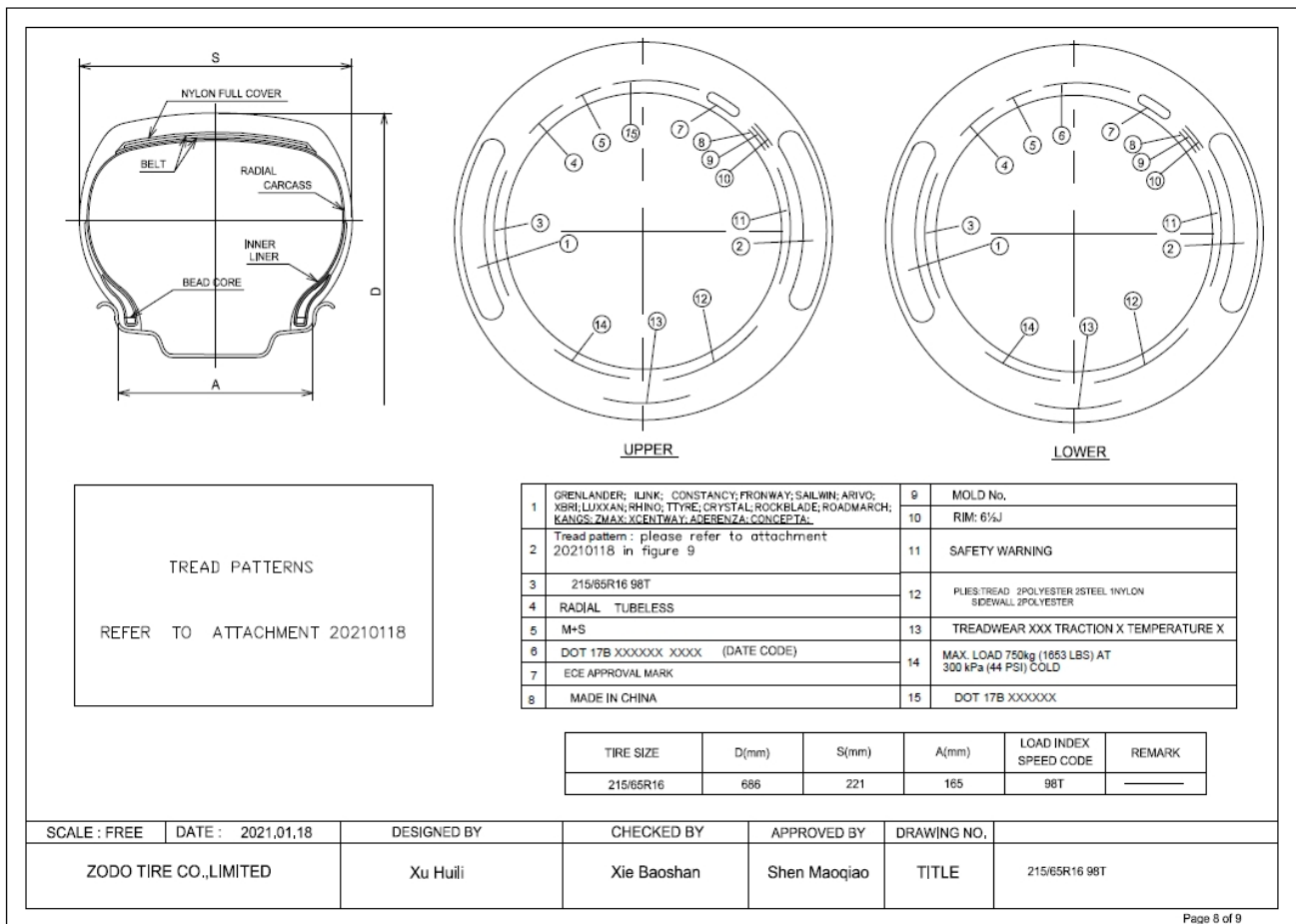
(1) The tyre marking statements are considered leading in case of deviating drawing information.

APPENDIX 7. CONSTRUCTION IMAGE (1)



(1) The tyre marking statements are considered leading in case of deviating drawing information.

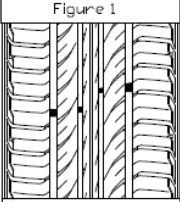
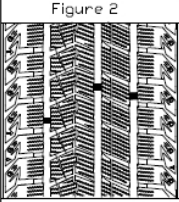
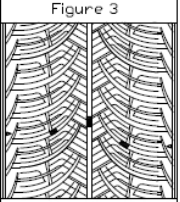
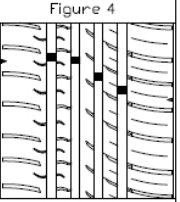
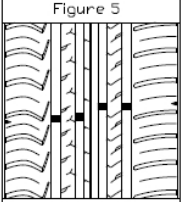
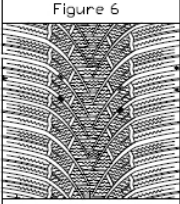
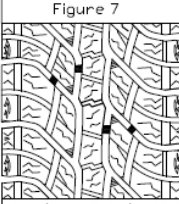
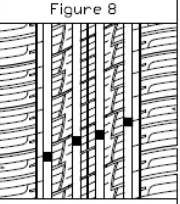
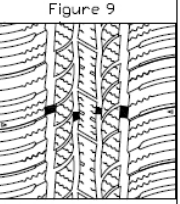
APPENDIX 8. CONSTRUCTION IMAGE (1)



(1) The tyre marking statements are considered leading in case of deviating drawing information.

APPENDIX 9. CONSTRUCTION IMAGE (1)

TIRE SIZE 215/65R16 98T ATTACHMENT 20210118

<p>Figure 1</p>  <p>COLO HD1-L-GRIPEE-LY68; ECODREEN 66; VENUSATR 66; PREMIO AR21; ECOLOGY; INSPIRER C4; THREE; ROCK 515; PRIMESTAR 66; Energetic</p>	<p>Figure 2</p>  <p>Winter 6L669; Winter 3L669; LY669; CD/DMER 869; ICE/ENER 869; VENMASTER ARV2; ROCK 869; SNOWPIVER 869; THRTY TWO; CONSUMER A/T II; INSPIRER 869;</p>	<p>Figure 3</p>  <p>GREENING A/S; MULTIMATCH A/S; FRONING A/S; FREMATCH A/S; Cortina A/S; PRIME A/S; ROCK A/S ONE-FORTY ONE; INSPIRER A/S I; X-SPIDER A/S;</p>	<p>Figure 4</p>  <p>COLO HD2-L-GRIPEE; ECODREEN 55; VENUSATR 55; PREMIO ARZERO; INSPIRER ECO; ROCK 55; PRIMESTAR 55; LANDGEMA-Transcender 701; SPEEDLINE D2;</p>	<p>Figure 5</p>  <p>COLO HD3; L-GRIPEE; ECODREEN 99; VENUSATR 99; INSPIRER C21; ROCK 99; ECODRO 99; LANDGEMA II;</p>
<p>Figure 6</p>  <p>ICEHAWKE I; SNOWGRIPPER I; ICEMASTER I; SNOWHAWKE I; Winter Prox ASW3; SNOWLOPER II; ICECRUISER I; Winter Xpro 888; WINTERHAWKE I; POLARSNOW;</p>	<p>Figure 7</p>  <p>MAGA A/T TWO; FORZA A/T 2; TERRAMAX LSX2 A/T; TERRA XPLORER C2 A/T; GLADIATOR A/T II; ROCKBLADE A/T II; TERRAMAX ARV PRO A/T; INSPIRER A/T II; TOUGH TRAC A/T II; ROCK 737 A/T; PRIMEMAX A/T II; CAPACITY; DRAMMING A/T; CLIMBER A/T II; DENLAND A/T D2;</p>	<p>Figure 8</p>  <p>MAHO 79; POWERCITY 79; ROADPOWER H/T 79; SAILING H/T 79; TRAVESSE ARV H/T; INSPIRER FB; ROCK 719 H/T; PRIMEARCH H/T 79; GALLOPRO H/T; Fortuner 801; ENDURANCE H/T D2;</p>	<p>Figure 9</p>  <p>MAHO 77; POWERCITY 77; TOPPOWER 87 H/T; ROADPOWER H/T; ROADKING H/T; Maxim; TERRANO ARV H/T; FORZA H/T 2; INSPIRER F4; TWENTY TWO; ROCK 717 H/T; PRIMEARCH H/T 77;</p>	

6 TREAD WEAR INDICATORS EQUALLY SPACED

DRAWN BY	Xu Huli	CHECKED BY	Xie Baoshan	APPROVED BY	Shen Maoqiao	ZODD TIRE CO., LIMITED
----------	---------	------------	-------------	-------------	--------------	------------------------

Page 9 of 9

(1) The tyre marking statements are considered leading in case of deviating drawing information.

APPENDIX 10. MANUFACTURER DECLARATION

Statement manufacturer and authorization regarding application

This statement must only be sent with new "00" applications. This applies to both the statements that the application has not been submitted to another authority and the authorization of the applicant. If the authorized party is changed in the meantime (i.e. in case of an extension or correction request), this declaration must be filled in again.

1 EC & UNECE type-approval number : E4*30R02/22*109482*03

2 Manufacturer/ Manufacturer's representative ⁽¹⁾

3 Company name : ZODO TIRE CO., LIMITED
 4 Name authorized person : Hailong Ren
 5 Job title : Supervision
 6 E-mail address : 295512660@qq.com
 7 Address manufacturer : The South of Yalujiang Road, Wenzhuang Village, Qinghe Agency of Cao County
 Heze City, Shandong Province 274400, China (PRC)
 8 Country : China(PRC)

9 **Statement**

10 Hereby : Hailong Ren ,
 11 declares on behalf of
 the manufacturer : ZODO TIRE CO., LIMITED ,
 12 for the application with
 type-approval number : E4*30R02/22*109482*03 ,
 13 the following:
 14 a) the manufacturer has not applied for an EC & UNECE type-approval for the same type to any other approval
 authority, and no other approval authority granted the manufacturer such an approval;
 15 b) no approval authority has refused to grant type-approval of that type;
 16 c) no approval authority has withdrawn type-approval of that type;
 17 d) the manufacturer has not revoked an application for a type-approval of that type.

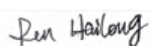
18 **Authorization regarding handling of this application (if applicable) ⁽²⁾**

19 Company name : IDIADA Automotive Technology, S.A.
 20 E-mail address : QualityHomologations@idiada.com
 21 Address : PO Box 20 Santa Oliva, l'Albornar 43710, Tarragona
 22 Country : Spain

23 **Authorization**

24 By means of this
 declaration, I : Hailong Ren ,
 25 on behalf of : ZODO TIRE CO., LIMITED ,
 26 authorizes : IDIADA Automotive Technology, S.A. ,
 27 to respectively apply for a type-approval with type-approval number:
 E4*30R02/22*109482*03 ,
 28 handle all communication concerning this application and receive the type-approval certificate.

29 Date	Place	Name:
30 30/03/2021	Heze, China	ZODO TIRE CO., LIMITED

31 On their behalf, signature : 

32 Name : Hailong Ren

⁽¹⁾ Mark the specific checkbox.

⁽²⁾ This authorization only concerns the application procedure and all activities that are directly or indirectly related to this procedure. If and insofar as other procedures, including the lodging of objections, are deemed necessary, a new authorization must be submitted in respect of that specific procedure.

Test report data delivered by the designated technical service or its laboratory/branch office responsible for conducting the approval tests

Tested in accordance to ECE regulation no. 30, 02 series of amendments, supplement 22

Test reports	:	<table border="1"> <thead> <tr> <th>Date of report</th> <th>Startdate of tests</th> <th>Location of test</th> <th>Reference</th> </tr> </thead> <tbody> <tr> <td>2021-03-29</td> <td>2018-02-07</td> <td>Heze, China</td> <td>CN21030999</td> </tr> </tbody> </table>	Date of report	Startdate of tests	Location of test	Reference	2021-03-29	2018-02-07	Heze, China	CN21030999
Date of report	Startdate of tests	Location of test	Reference							
2021-03-29	2018-02-07	Heze, China	CN21030999							
Appropriate test facility, calibrated measurement- and test equipment have been used in compliance with the applicable test requirements	:	Y								
Name and address of designated technical service	:	IDIADA Automotive Technology S.A.Institute for Applied Automotive Research L' Albornar P.O. Box 20 E-43710 Santa Oliva (Tarragona) Spain								
Name and address of branch office of designated technical service	:	N.A.								
Tyre size designation	:	215/65R16								
Brand-name(s) / trademark(s)	:	GRENLANDER, ILINK, CONSTANCY, FRONWAY, SAILWIN, ARIVO, XBRI, LUXXAN, RHINO, T TYRE, CRYSTAL, ROCKBLADE, ROADMARCH, KANGS, ZMAX, XCENTWAY, ADERENZA, CONCEPTA								
Trade description(s) / commercial name(s)	:	COLO H01, L-GRIP66, LY168, ECOGREEN 66, VENUSATR 66, PREMIO ARZ1, ECOLOGY, INSPIRER C4, THREE, ROCK 515, PRIMESTAR 66, Energize, Winter GL868, Winter IL868, LY868, ICEPOWER 868, ICEWINNER 868, WINMASTER ARW2, ROCK 868S, SNOWROVER 868, THIRTY TWO, COMMANDER W7, ICEPIONEER 868, GREENWING A/S, MULTIMATCH A/S, FRONWING A/S, FREIMATCH A/S, Carlorful A/S, PRIME A/S, ROCK A/S ONE, FORTY ONE, INSPIRER A/S 1, X-SPIDER A/S, COLO H02, L-GRIP55, ECOGREEN 55, VENUSATR 55, PREMIO ARZERO, INSPIRER ECO, ROCK 555, PRIMESTAR 55, LANDGEMA, Transcender 701, SPEEDLINE D2, COLO H03, L-GRIP99, ECOGREEN 99, VENUSATR 99, INSPIRER C9, ROCK 999, ECOPRO 99, LANDGEMA II, ICEHAWKE I, SNOWGRIPPER I, ICEMASTER I, SNOWHAWKE I, Winmaster ProX ARW3, SNOWPLOTTER I, ICECRUISER I, Winter Xpro 888, WINTERHAWKE I, POLARSNOW, MAGA A/T TWO, FORZA A/T 2, TERRAMAX LSR2 A/T, TERRA XPLOER C2 A/T, GLADIATAX A/T II, ROCKBLADE A/T II, TERRAMAX ARV PRO A/T, INSPIRER A/T II, TOUGH TRAC A/T II, ROCK 737 A/T, PRIMEMAX A/T II, CAPACITY, DREAMWIND A/T, CLIMBER A/T II, OPENLAND A/T D2, MAHO 79, POWERCITY 79, ROADPOWER H/T 79, SAILKING H/T 79, TRAVERSO ARV H/T, INSPIRER F6, ROCK 719 H/T, PRIMEMARCH H/T 79, GALLOPRO H/T, Fortuner 801, ENDURANCE H/T D2, MAHO 77, POWERCITY 77, TOPOWER 87 H/T, ROADPOWER H/T, ROADKING H/T, Maxim, TERRANO ARV H/T, FORZA H/T 2, INSPIRER F4, TWENTY TWO, ROCK 717 H/T, PRIMEMARCH H/T 77								
Category of use	:	Snow								
Structure	:	Radial								
EMT (Extended Mobility Tyre)	:	N								
Speed category symbol	:	T								
Load capacity index	:	98								
Protective rib	:	N								
Tubeless	:	Y								
Standard / reinforced / T-type temporary use	:	Standard								
Ply-rating number of diagonal (bias-ply) tyres	:	N.A.								
Factor 'x'	:	0.7								
Maximum speed for speed symbol Y for load rating determination	:	N.A.								
Tread-wear indicators	:									
Height of lowest tread-wear indicator	:	1.99 mm								
Height of tallest tread-wear indicator	:	2.05 mm								
Number of transverse rows of wear indicators	:	6								

1 Test data

1.1 MEASURING DATA (ACCORDING TO ANNEX 6)

1.1.1	Measuring rim width	:	6.5 inch
1.1.2	Conditioning		
	Mounting pressure	:	3.1 bar
	Adjusted pressure	:	1.8 bar
	Conditioning time	:	24 hrs
	Test room temperature	:	25.0 °C
	Readjusted pressure	:	1.8 bar
1.1.3	Measurements		
	Overall width measured	:	222.4 mm
	Calculated outer diameter	:	685.0 mm
1.1.4	Plies of tyre subject for type approval	:	

Material	Side wall	Tread
Polyester	2	2
Steel	0	2
Nylon	0	1

1.2 LOAD SPEED PERFORMANCE TEST (ACCORDING TO ANNEX 7)

1.2.1	Reference is made to a worst case tyre out of the tyre range	:	N
1.2.2	Test setup		
	Test drum diameter	:	1.70 m
	Test rim width	:	6.5 inch
	Test axle load	:	600 kg
1.2.3	Conditioning		
	Test inflation pressure	:	2.8 bar
	The test inflation pressure differs from those given under Annex 7 paragraph 1.2	:	N
	Conditioning time	:	3 hrs
	Test room temperature	:	25.0 °C
	Readjusted pressure	:	2.8 bar
1.2.4	Outer diameter before test	:	685.6 mm
1.2.5	Test procedure		
	Time from zero to initial test speed	:	10 min
	Test steps	:	

Step	Duration (min)	Speed (km/h)
1.	10	150
2.	10	160
3.	10	170
4.	20	180

1.2.6	Test results		
	Traces of tread separation, ply separation, cord separation, chunking or broken cords after the load/speed test	:	N
	Superficial blistering after the load/speed test caused by the specific test equipment and conditions	:	N
	Conditioning time after test	:	6 hrs
	Calculated outer diameter of measured circumference after test	:	686.9 mm
	Change in outer diameter after test	:	0.19 %

2	TYRE MARKINGS	STATEMENT ⁽¹⁾
2.1	Brand name or trade mark	: Marked
2.2	Trade description / commercial name	: Marked
2.3	Date of manufacture	: Marked
	- character height \geq 4 mm	: Y
2.4	Upper side wall markings	
	"TEMPORARY USE ONLY"	: N.A.
	"INFLATE TO 420kPa (60 psi)"	: N.A.
2.5	Lower side wall markings	
	Approval mark in accordance to article 3.2, 3.4, 5.4 and Annex 2	: Y
	Tyre structure letter code	: R
	Tyre to rim fitment code	: N.A.
	Service description	
	- marked within brackets	: N.A.
	- immediately after tyre size designation	: Y
	- character height \geq 6mm	: Y
	"RADIAL"	: Marked
	- character height \geq 4 mm	: Y
	"B" and "BIAS BELTED"	: N.A.
	"TUBELESS"	: Marked
	- character height \geq 4 mm	: Y
	Run flat symbol	: N.A.
	EMT (Extended mobility tyre) symbol	: N.A.
	"REINFORCED" or "EXTRA LOAD"	: N.A.
	"M+S"/"M.S"/"M&S"	: Marked
	- character height \geq 4 mm	: Y
	"ET"	: N.A.
	"POR"	: N.A.
	Location of the applicable mandatory markings	: In lower area
	Symmetrical tyres marked on both sidewalls	: Y
	Asymmetrical tyres marked at least on the outer tyre side wall	: Y

3 Nominal envelop dimensions of the inflated tyre mounted on the measuring rim ⁽¹⁾

S	: 221 mm
D	: 686 mm
A	: 165 mm

⁽¹⁾ The tyre marking statements are considered leading in case of deviating drawing information.

APPLICATION FOR APPROVAL OF A TYPE OF PNEUMATIC TYRE FOR TYRES FOR MOTOR VEHICLES AND THEIR TRAILERS ACCORDING TO ECE REGULATION No. 30, 02 SERIES OF AMENDMENTS, SUPPLEMENT 22

4.1	Name and address of manufacturer (applicant)	:	ZODO TIRE CO., LIMITED The South of Yalujiang Road, Wenzhuang Village Qinghe Agency of Cao County Heze City Shandong Province 274400 China (PRC)
	Name and address of branch office of designated technical service (manufacturers duly accredited representative)	:	N.A.
4.1.1	Tyre size designation	:	215/65R16
4.1.2.1	Brand-name(s) / trademark(s)	:	GRENLANDER, ILINK, CONSTANCY, FRONWAY, SAILWIN, ARIVO, XBRI, LUXXAN, RHINO, T TYRE, CRYSTAL, ROCKBLADE, ROADMARCH, KANGS, ZMAX, XCENTWAY, ADERENZA, CONCEPTA
4.1.2.2	Trade description(s) / commercial name(s)	:	COLO H01, L-GRIP66, LY168, ECOGREEN 66, VENUSATR 66, PREMIO ARZ1, ECOLOGY, INSPIRER C4, THREE, ROCK 515, PRIMESTAR 66, Energize, Winter GL868, Winter IL868, LY868, ICEPOWER 868, ICEWINNER 868, WINMASTER ARW2, ROCK 868S, SNOWROVER 868, THIRTY TWO, COMMANDER W7, ICEPIONEER 868, GREENWING A/S, MULTIMATCH A/S, FRONWING A/S, FREIMATCH A/S, Carlorful A/S, PRIME A/S, ROCK A/S ONE, FORTY ONE, INSPIRER A/S I, X-SPIDER A/S, COLO H02, L-GRIP55, ECOGREEN 55, VENUSATR 55, PREMIO ARZERO, INSPIRER ECO, ROCK 555, PRIMESTAR 55, LANDGEMA, Transcender 701, SPEEDLINE D2, COLO H03, L-GRIP99, ECOGREEN 99, VENUSATR 99, INSPIRER C9, ROCK 999, ECOPRO 99, LANDGEMA II, ICEHAWKE I, SNOWGRIPPER I, ICEMASTER I, SNOWHAWKE I, Winmaster ProX ARW3, SNOWPLOER I, ICECRUISER I, Winter Xpro 888, WINTERHAWKE I, POLARSNOW, MAGA A/T TWO, FORZA A/T 2, TERRAMAX LSR2 A/T, TERRA XPLOER C2 A/T, GLADIATAX A/T II, ROCKBLADE A/T II, TERRAMAX ARV PRO A/T, INSPIRER A/T II, TOUGH TRAC A/T II, ROCK 737 A/T, PRIMEMAX A/T II, CAPACITY, DREAMWIND A/T, CLIMBER A/T II, OPENLAND A/T D2, MAHO 79, POWERCITY 79, ROADPOWER H/T 79, SAILKING H/T 79, TRAVERSO ARV H/T, INSPIRER F6, ROCK 719 H/T, PRIMEMARCH H/T 79, GALLOPRO H/T, Fortuner 801, ENDURANCE H/T D2, MAHO 77, POWERCITY 77, TOPOWER 87 H/T, ROADPOWER H/T, ROADKING H/T, Maxim, TERRANO ARV H/T, FORZA H/T 2, INSPIRER F4, TWENTY TWO, ROCK 717 H/T, PRIMEMARCH H/T 77
4.1.3	Category of use	:	Snow
4.1.3.1	For the tyres belonging to the category of use "special use tyre" those which may bear the inscription M+S or M.S or M&S	:	N.A.
4.1.4	Structure	:	Radial
4.1.5	Speed category symbol	:	T
4.1.6	Load capacity index	:	98
4.1.7	Tubeless	:	Y
4.1.8	Standard / reinforced / T-type temporary use	:	Standard
4.1.9	EMT (Extended mobility tyre)	:	N
4.1.10	Ply-rating number of diagonal (bias-ply) tyres; except for T-type temporary use spare tyres	:	N.A.
4.1.11	The overall dimensions: overall section width and outer diameter		
	Overall section width	:	222.4 mm
	Outer diameter	:	685.0 mm
4.1.12	The rims on which the tyre can be mounted	:	6.5 inch
4.1.13	Measuring rim	:	6.5 inch
	Test rim	:	6.5 inch
4.1.14	The test pressure where the manufacture requests the application of Annex 7 paragraph 1.3 to this Regulation	:	N.A.
4.1.15	The factor 'x'	:	0.7
4.1.16	For tyres suitable for speeds in excess of 300 km/h, the maximum speed permitted by the tyre manufacturer and the load carrying capacity allowed for that maximum speed	:	N.A.
4.1.17	The identification of the bead retention rim contours specific	:	N.A.

for the "flat tyre running mode" of "run flat tyres"

- | | | | |
|-----|---|---|---|
| 4.2 | The application for approval is accompanied by drawings or images of | | |
| | 1. The tyre tread pattern | : | Y |
| | 2. Envelope of the inflated tyre mounted on the measuring rim, showing the relevant dimensions (see paragraphs 6.1.1 and 6.1.2) | : | Y |
| | 3. The side wall showing the relevant markings | : | Y |
| 4.4 | Reference to Worst-case tyre has been made for the load-speed test. The worst case tyre selection criteria can be obtained from the approval authority. | : | N |

Reason(s) of extension : Update of tyre type designation(s);
Upgrade of regulation supplement number;
Change of technical service;
Update of manufacture name

The applicant, as defined in article in 4.1, declares that:

- This application is in compliance with the scope as defined in chapter 1 of the regulation.
- All data for this application are unambiguously and truthfully given.
- The type approval application for the subject component is submitted only at RDW as Contracting party pursuant to this UN regulation.
- Appropriate test facility, calibrated measurement en test equipment have been used in compliance with the applicable test requirements.

Company : IDIADA Automotive Technology S.A.Institute for Applied Automotive Research
Name of person responsible for the submitted application data : Josep Masip Gomez
Function of above mentioned authorised person : DEPARTMENT MANAGER
E-mail address of department or above mentioned authorised person : QualityHomologations@idiada.com
Place of submission : L'Albornar, Santa Oliva (Tarragona)
Submitted for approval on (date) : 02/04/2021 11:43:58
Reference id of the application given by the applicant :