

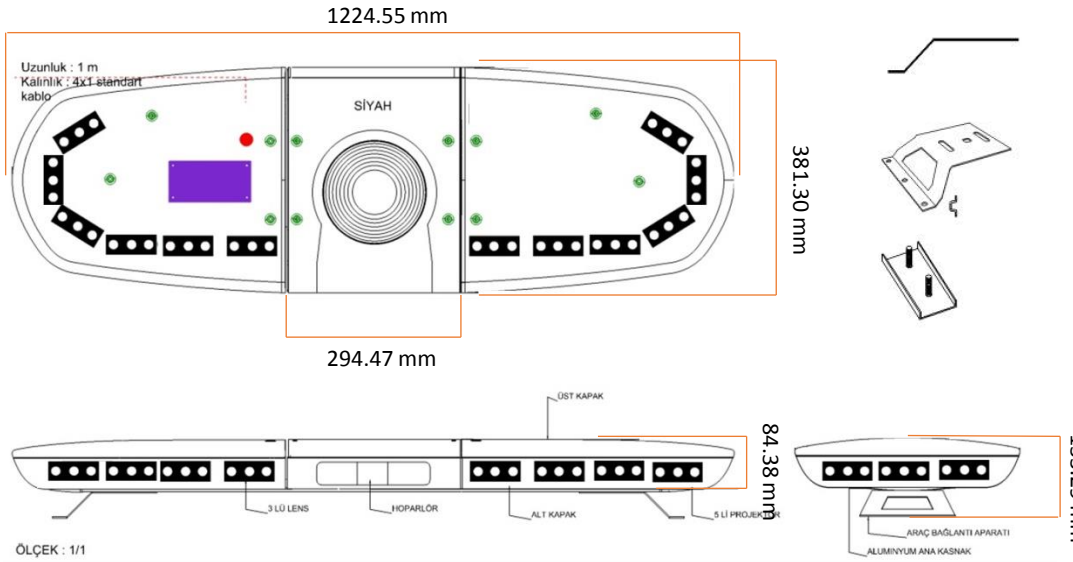
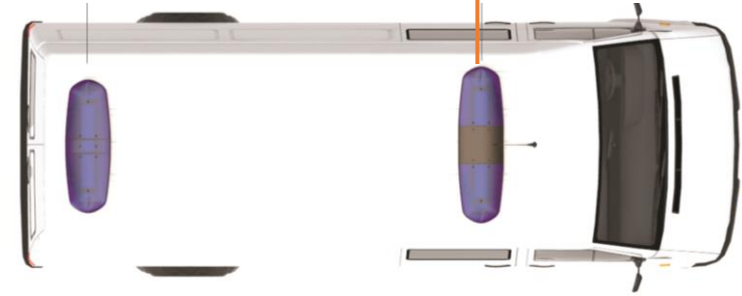


# ZER AMBULANCE SET

*PRODUCTS, PARTS AND TECHNICAL INFORMATION*

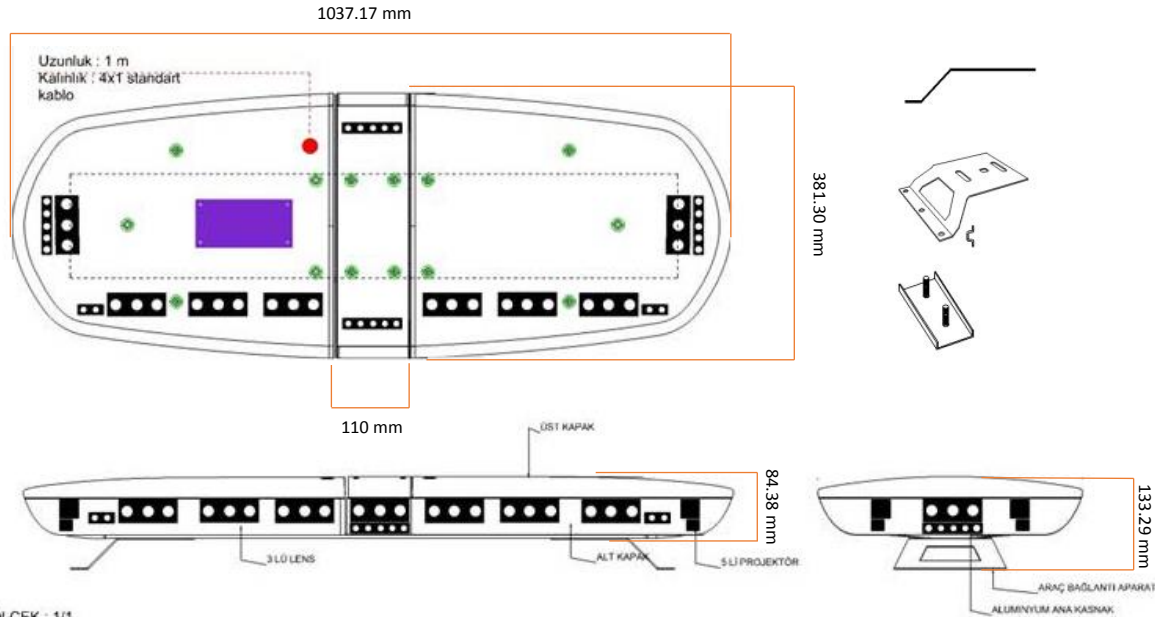
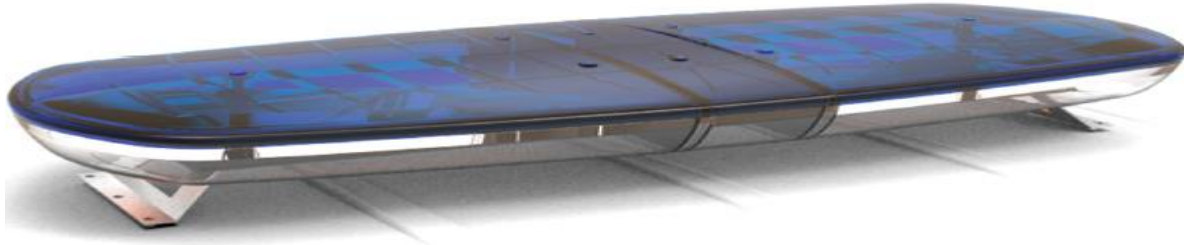


## 1. AMBULANCE FRONT TOP LAMP



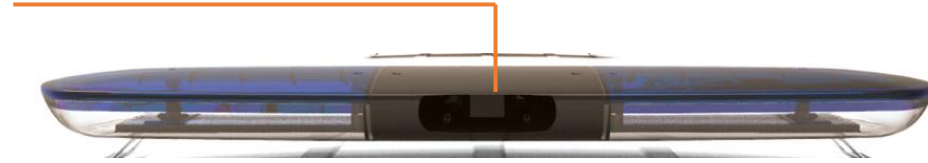
- Specially designed fresnel lens that provides exceptional brightness and visibility with 3 power LEDs of 3 Watts for each module
- Synchronized and various flash patterns with Zer products
- Aluminum main body and polycarbonate parts
- Resistance to high speed and environmental conditions low power consumption
- Speaker with 100W RMS power in the middle
- Quick adaptation to all vehicle types with mounting brackets
- Safe electrical connection with ceiling connector
- Compliance with Standards: ECE R65, ECE R10, SAE J845, SAE J578, SAE J595, WIND TUNNEL TEST
- Warranty Period: 2 years
- Operating Voltage: 12/24 VDC
- Operating Temperature -40 °C ~ 65 °C
- Rated Life of LED : 50,000 hours
- Weight: 10kg

## 2. AMBULANCE REAR TOP LAMP

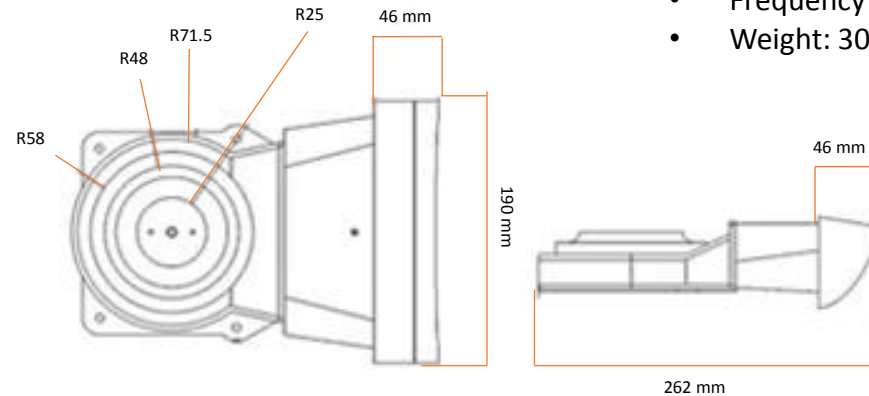


- Specially designed fresnel lens that provides exceptional brightness and visibility with 3 power LEDs of 3 Watts for each module
- Synchronized and various flash patterns with Zer products
- Aluminum main body and polycarbonate parts
- Resistance to high speed and environmental conditions low power consumption
- Fixed warning when the back door of the ambulance is opened with optional 5 power LED street and projector modules or 2 power LED street and projector modules
- Quick adaptation to all vehicle types with mounting brackets Safe electrical connection with ceiling connector
- Compliance with Standards: ECE R65, ECE R10, SAE J845, SAE J578, SAE J595, WIND TUNNEL
- TEST Warranty Period: 2 years
- Operating Voltage: 12/24 VDC
- Operating Temperature -40 °C ~ 65 °C
- Rated Life of LED : 50,000 hours
- Weight: 8 kg

## 3. LLB 0801 NEODYMIUM MAGNET SPEAKER UNIT

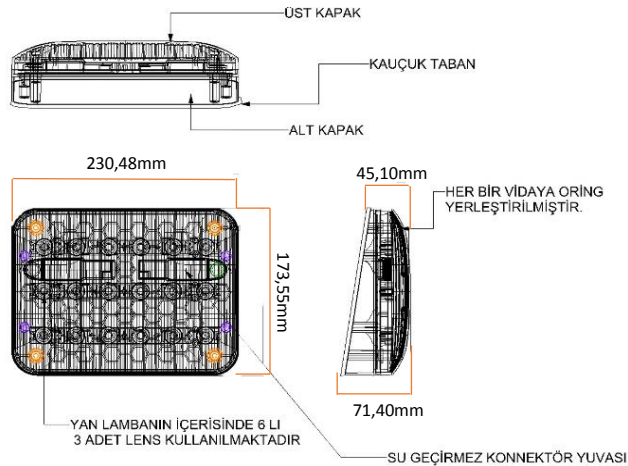
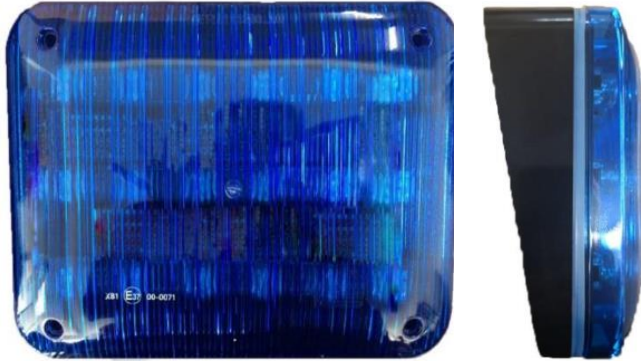


- Special design for mobile siren, announcement and public address systems
- High Efficiency Neodymium Magnet
- Special ergonomic design for beacons
- Environmentally resistant stainless construction
- Durable Specially Designed Diaphragm
- Compliance with Standards: SAE J1849, EVS1, EVS2, EVS3
- Warranty Period: 2 years
- Output Power: 100W RMS
- Impedance Options: 11Ω or 16Ω
- Frequency Response: 180Hz – 10KHz
- Weight: 3000g



## SIDE LAMP ALTERNATIVES

## 4. WRL 0919 SIDE LAMP



## ALTERNATIVES



- Ürün dış gövde polikarbonattan yapılmıştır.
- Ürünün camı ledlerle aynı renkte olabileceği gibi seffaf da olabilir.



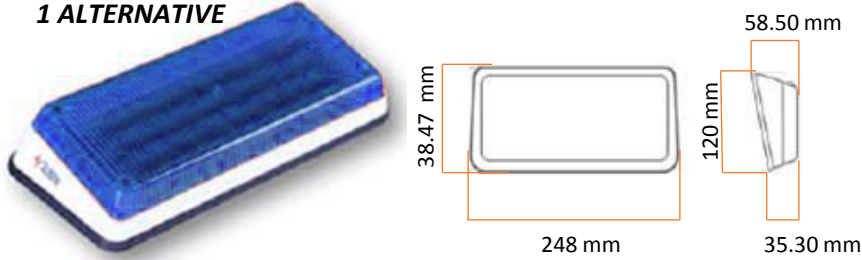
- High efficiency custom design optical lens
- Synchronized and various flash patterns with Zer products
- 16 different flash patterns with independent control
- Outer body made of polycarbonate material resistant to environmental conditions and UV rays low power consumption
- Special PCB design suitable for external form
- Fixed or flashing warning mode possibility when ambulance rear door is opened in ambulance rear right and left applications
- 3 Watt power LEDs each
- Number of LEDs: 18 high power LEDs
- Compliance with Standards: ECE R65 and ECE R10 Certified
- Warranty Period: 2 years
- Operating Voltage: 12/24 VDC
- Operating Temperature: -40 °C to 65°C
- Rated Life of LED: 50,000 hours
- Weight: 492 g



## SIDE LAMP ALTERNATIVES

### 5. WSM 31100 SIDE LAMP

#### 1 ALTERNATIVE



#### 2. ALTERNATIVE



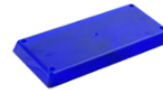
#### 3. ALTERNATIVE



#### ALTERNATIVES



- Ürün dış gövde polikarbonattan yapılmıştır.
- Ürünün camı ledlerle aynı renkte olabileceği gibi seffaf da olabilir.



- Fresnel necessary for overnight with homogeneous light
  - Special transition patterns with Zer products
  - Environmental and UV resistant polycarbonate outer body part low power consumption
  - Ambulance rear and left applications, ambulance back door inspection or flash alert modulability
  - Number of LEDs: 6 or 28 high power LEDs
  - Compliance with Standards: ECE R10 Certified
  - Warranty Period: 2 years
  - Operating Voltage: 12/24 VDC
  - Operating Temperature: -40 °C ~ 65 °C
  - Rated Life of LED: 50,000 hours
  - Weight:
- 1st Alternative: 6LED: 315gr / 28LED: 336gr  
 2. Alternative: 6LED: 235 gr / 28LED: 240 gr  
 3. Alternative: 6LED: 294 gr / 28LED: 315 gr

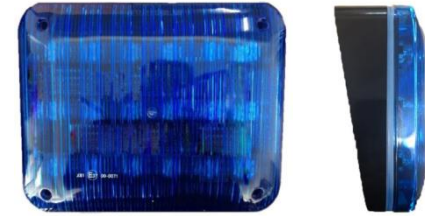
# CONTENTS OF THE AMBULANCE SET

## YAN LAMBA ALTERNATİFLERİ

### 1. ALTERNATIVE



WRL 0919



### 2. ALTERNATIVE



WSM 31100



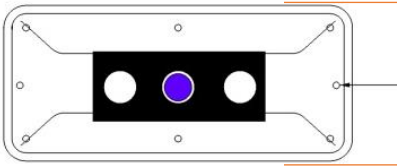
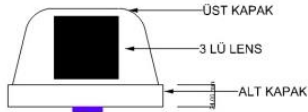
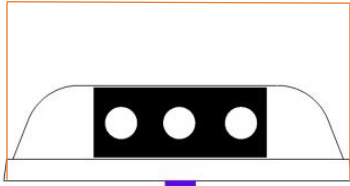
## 6. WRL 0397 LED MODULE



ALTERNATIVE



128 mm



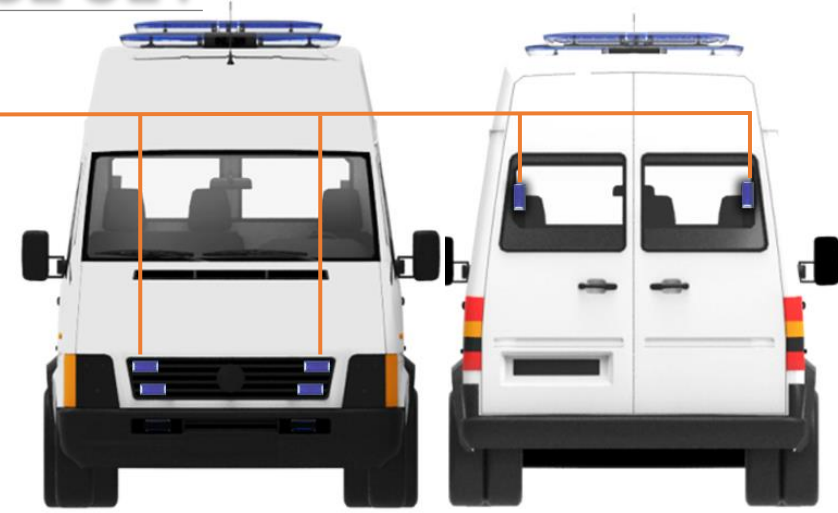
57 mm

MONTAJ AYAKLARI İÇİN KULLANILAN DELİKLER

• Ürün dış gövde polikarbonattan yapılmıştır.



• Ürünün camı ledlerle aynı renkte olabileceği gibi seffaf da olabilir.



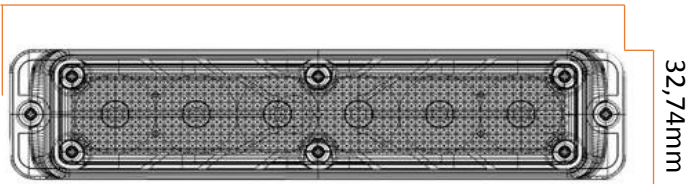
- Homojen dağılımlı ışık şiddetini kuvvetlendirmek için tasarlanmış fresnel mercek
- Zer ürünleri ile senkronize çeşitli flaş paternleri
- Çevre koşullarına ve UV ışınlarına dayanıklı polikarbonat malzemeden dış gövde
- Düşük güç tüketimi
- Montaj braketleri ile tüm araç çeşitlerine uyumlu hızlı adaptasyon
- Her biri 3 Watt gücünde power LED
- **LED sayısı:** 3 adet yüksek güçlü power LED
- **Garanti Süresi:** 2 yıl
- **Çalışma Voltajı:** 12/24 VDC
- **Çalışma Sıcaklığı:** -40 °C - 65°C
- **LED'in nominal ömrü:** 50.000 saat
- **Ağırlık:** 166 gr



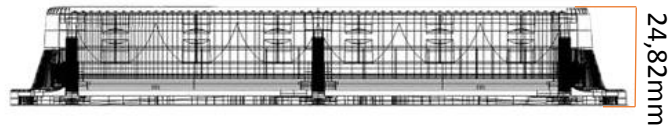
## 7. WRL 0220 LED MODULE



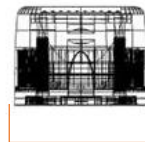
151,87mm



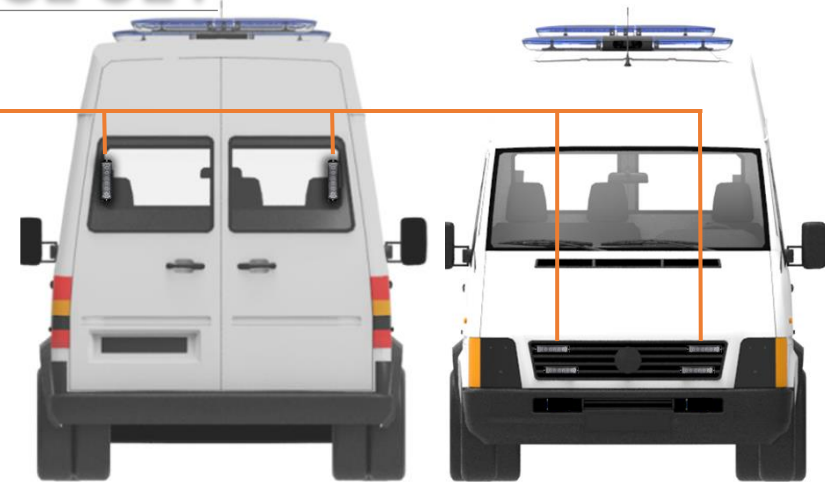
32,74mm



24,82mm

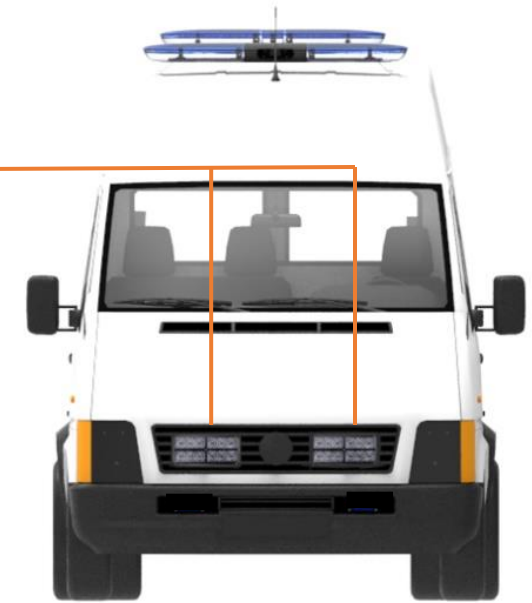
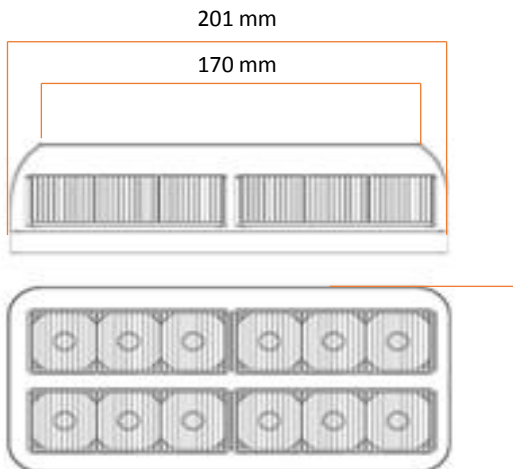


32,74mm



- Fresnel windshield designed for best light perception
- Various flash patterns synchronized with Zer products
- Waterproof and environmental resistant
- Outer body made of UV resistant polycarbonate material
- It consists of 6 LEDs, 3 LEDs from the left and 3 LEDs from the right can be produced as different colors and these triple color groups can be controlled separately.
- low power consumption
- Quick adaptation to all vehicle types with mounting brackets
- 3 Watt power LEDs each
- Number of LEDs: 6 high power LEDs
- Color Options: Blue, Amber, White
- Compliance with Standards: ECE R10 Certified
- Warranty Period: 2 years
- Operating Voltage: 12/24 VDC
- Operating Temperature: -40 °C ~ 65 °C
- Rated Life of LED : 50,000 hours
- Weight: 103gr

## 8. WRL 1207 LED MODULE



- Fresnel lens designed to amplify homogeneously distributed light intensity
- Various flash patterns synchronized with Zer products
- Outer body made of polycarbonate material resistant to environmental conditions and UV rayslow power consumption
- Quick adaptation to all vehicle types with mounting brackets
- 3 Watt power LEDs each
- Number of LEDs: 12 high power power LEDs
- Color Options: Blue, Amber, White
- Warranty Period: 2 years
- Operating Voltage: 12/24 VDC
- Operating Temperature: -40 °C ~ 65 °C
- Rated Life of LED: 50,000 hours
- Weight: 675 g

# CONTENTS OF THE AMBULANCE SET

## AMBULANCE FRONT GRILL APPLICATIONS

**1. ALTERNATIVE**



**WRL 0397**



**2. ALTERNATIVE**



**WRL 0220**



**3. ALTERNATIVE**



**WRL 1207**



### 9. LINEAR LIGHTING



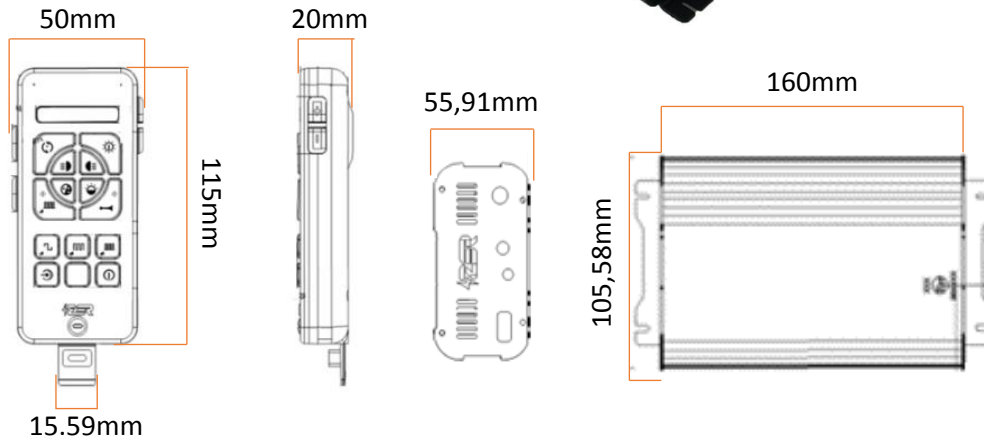
- Fresnel windshield designed for best light perception
- The control circuit has a regulation feature and the luminous intensity does not change at voltage values between 11V-16V.
- Outer body made of UV resistant polycarbonate material
- Luminous intensity adjustable in at least 4 different levels, except when off
- Color Options: White
- Warranty Period: 2 years
- Operating Voltage: 12/24 VDC
- Operating Temperature: -40 °C ~ 65 °C
- Rated Life of LED : 50,000 hours

### 10. SPOT LIGHTING



- Fresnel lens designed to amplify homogeneously distributed light intensity
- Outer body made of aluminum material
- Number of LEDs: 1 high power 3 Watt power LED
- Color Options: White
- Warranty Period: 2 years
- Operating Voltage: 12/24 VDC
- Operating Temperature: -40 °C ~ 65 °C
- Rated Life of LED : 50,000 hours

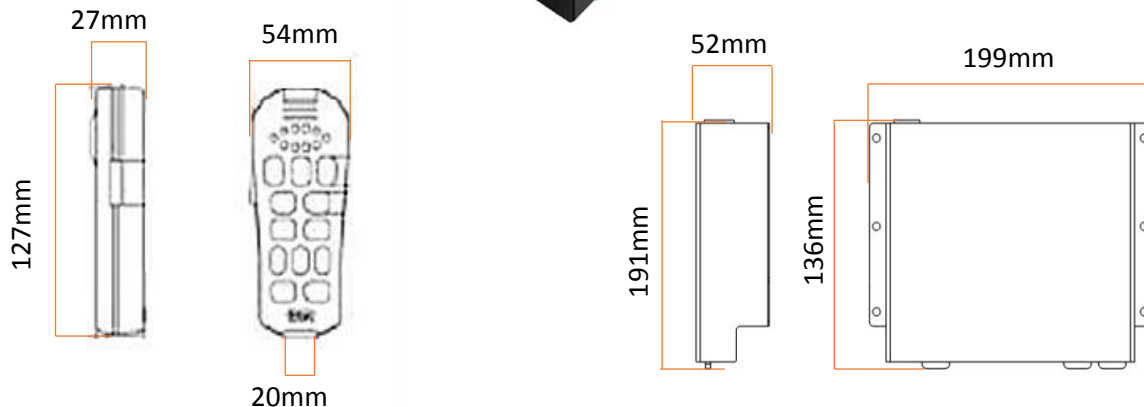
## 11. SMD SALK 0801 SIREN DEVICE/WIRED-CONTROLLED



- Ergonomic design compatible with all types of vehicles with its patented aluminum siren device box exclusive to ZER
- With the ergonomic control unit suitable for hand-held use, siren sounding at different frequencies and lamp control in different modes
- Simulation LEDs on the controller indicating the active flash mode of the Light bar
- Light bar control possibility with high current protected switches
- Fully digital and microcontroller control mechanism
- Double latch Manual(hand) siren sounding using microphone latch
- Announcement push-to-talk volume adjustment
- External signal connection for announcement via siren device
- External signal volume adjustment
- Battery LED that warns differently depending on the voltage level of the battery
- Sounding the horn with an external connection via the siren device
- Short circuit and reverse connection protection feature
- Sounder blocking feature for loudspeaker protection in case of high voltage
- Easy-to-disassemble connector structure
- Control unit that can be easily disassembled and installed from the device and connected with a spiral cable.
- 6 kinds of siren sounds: Fast, Slow, Hand, Horn, Very Fast, Hi-Lo
- Compliance with Standards: SAE J1849, ECE R10
- Warranty Period: 2 years
- Operating Voltage: 12VDC (10.8 – 15VDC) or 24VDC (21.6 – 30VDC)
- Frequency Response:  $\pm 3\text{dB}$  (frequency range 300Hz–10,000Hz)
- Sounder Power (RMS): 100 Watts (11  $\Omega$ )
- Announcement Power (RMS): 50 Watts (11  $\Omega$ )



## 12. SALK 0801 SIREN DEVICE/WIRED-CONTROLLED



- Siren ringing at different frequencies and lamp control in different modes with its ergonomic remote control
- Simulation LEDs on the controller indicating the active flash mode of the light bar
- Light bar control possibility with high current protected switches
- Fully digital and microcontroller control
- Double latch Manual(hand) siren sounding using microphone latch
- Announcement push-to-talk volume adjustment
- External signal connection for announcement via siren device
- External signal volume adjustment
- Battery LED that warns differently depending on the voltage level of the battery
- Sounding the horn with an external connection via the siren device
- Short circuit and reverse connection protection feature
- Sounder blocking feature for loudspeaker protection in case of high voltage
- Connection possibility with easily demountable connectors
- Control unit that can be easily disassembled and installed from the device and connected with a spiral cable.
- 6 kinds of siren sounds: Fast, Slow, Hand, Horn, Very Fast, Hi-Lo
- Compliance with Standards: SAE J1849, ECE R10Warranty Period: 2 years
- Operating Voltage: 12VDC (10.8 – 15VDC) or 24VDC (21.6 – 30VDC)
- Frequency Response:  $\pm 3\text{dB}$  (frequency range 300Hz–10,000Hz)
- Sounder Power (RMS): 100 Watts (11  $\Omega$ )
- Announcement Power (RMS): 50 Watts (11  $\Omega$ )

# CONTENTS OF THE AMBULANCE SET

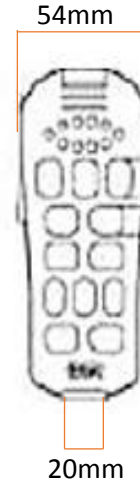
## SIREN DEVICE-CONTROLLER UNIT ALTERNATIVES

### 1. SIREN DEVICE-CONTROLLER UNIT ALTERNATIVES

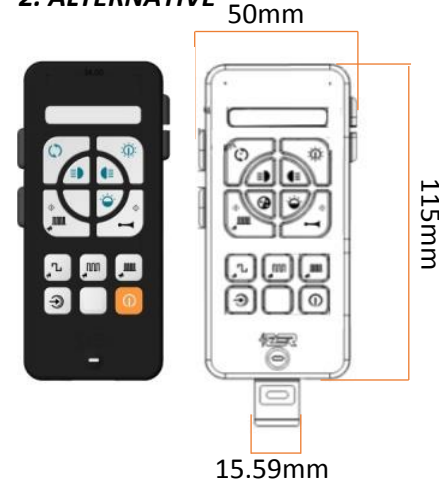
SMD SALK 0801



#### 1. ALTERNATIVE



#### 2. ALTERNATIVE

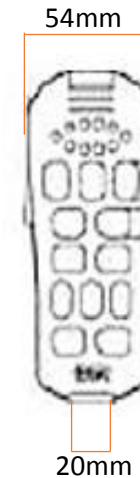


### 2. SIREN DEVICE-CONTROLLER UNIT ALTERNATIVES

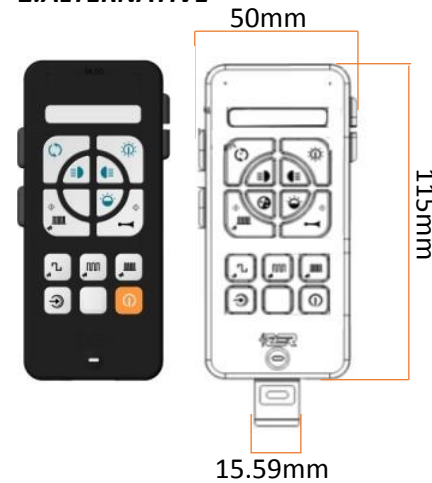
SALK 0801



#### 1. ALTERNATİF



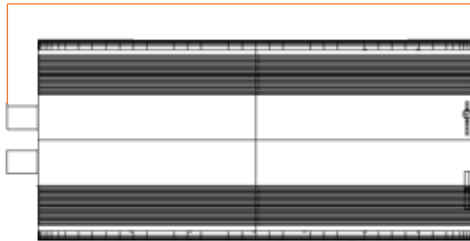
#### 2.ALTERNATIVE



## 13.IVT 0120 FULL SINUS WAVE INVERTER



396mm

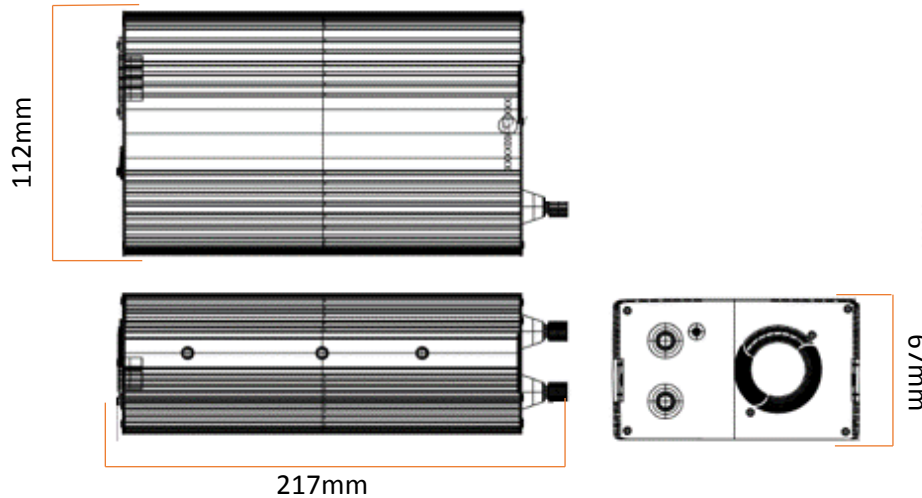


180mm



- Environmentally resistant outer body
- Easily detachable connector structure suitable for application and assembly for the vehicle
- Compliance with Standards: ECE R10 certified
- Warranty Period: 2 years
- Rated Output Power: 2000W
- Maximum Output Power: 4000W
- Waveform: Full Sine Wave
- Frequency: 50Hz
- DC Input Voltage: 10-15V
- AC Output Voltage: 210-240V
- ACProtection: Overheat, Overload, Short Circuit
- Size: 396x180x78mm
- Weight: 3950g

## 14. RRS 0220 REDRESÖR



- Environmentally resistant outer body
- Easily detachable connector structure suitable for application and assembly for the vehicle
- Automatic safety system that will cut off the charge when the battery is charged
- Compliance with Standards: ECE R10 certified
- Warranty Period: 2 years
- Input Voltage: 195-265V AC
- Output Voltage: 14.4/14.8V DC
- Maximum Current: 20A
- Power Factor: >0.8
- Protection: Overheat, Short Circuit, Overload (&AC FUSE)
- Security Class: TS EN 60335-2-29
- Battery Type: Automatic Control
- Size: 217x112x67mm
- Weight: 1050g



# CERTIFICATE



**Uluslararası  
Belgelendirme**

**ZER ELEKTRONİK SANAYİ VE TİC. LTD. ŞTİ.**

**HUZUR MAH. FAZIL KAFTANOĞLU CAD. NO: 11  
SARIYER/ İSTANBUL/TÜRKİYE**



**Kuruluşunun " ELEKTRİKLİ SİNYALİZASYON, GÜVENLİK VEYA TRAFİK KONTROL EKİPMANLARININ İMALATI (DEMİR YOLLARI, KARA YOLLARI, İÇ SU YOLLARI, TAŞIT PARK ALANLARI, LİMANLAR VE HAVA MEYDANLARI İÇİN) (TRAFİK İŞIKLARI VE SİNYAL DONANIMLARI DAHİL) ALKOLMETRE, UYUŞTURUCU ÖLÇME, MEDİKAL VENTİLATÖR, KAMERA-GÖRÜNTÜ VE SES KAYIT, MONİTÖR, HORN- HOPARLOR, MEGAFON, SAVUNMA SANAYİ CİHAZLARI " Kapsamı için**

**For scope "MANUFACTURING OF ELECTRICAL SIGNALIZATION, SECURITY OR TRAFFIC CONTROL EQUIPMENT (RAILWAYS, HIGHWAYS, INTERNAL WATERWAYS, VEHICLE PARKING AREAS, PORTS AND AIRPORTS) (TRAFFIC LIGHTS AND SIGNAL, MEDICAL FIELDS, ENTREPRENEUR AND SIGNAL, MEDICAL FINANCIAL DEVELOPMENTS VOICE RECORDING, MONITOR, HORN-SPEAKER, MEGAPHONE, DEFENSE INDUSTRY DEVICES"**

## **KALİTE YÖNETİM SİSTEMİ QUALITY MANAGEMENT SYSTEM**

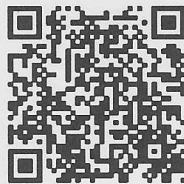
Kurduğunu ve uyguladığını belgelemekte ve BEL tarafından gerçekleştirilen denetim bu yönetim sisteminin aşağıdaki standardın şartlarını karşıladığını doğrulamaktadır.

It certifies that it is established and implemented, and the audit performed by BEL it confirms that this management system meets the requirements of the following standard.

## **ISO 9001:2015**

<b>Sertifika Numarası / Certificate Number</b>	<b>: A1531706</b>
<b>Sertifika Kodu / Certificate Code</b>	<b>: ZER ELEKTRONİK</b>
<b>Sertifika Yayın Tarihi / Certificate Issue Date</b>	<b>: 06.12.2022</b>
<b>Sertifika Geçerlilik Tarihi / Certificate Validity Date</b>	<b>: 06.12.2025</b>
<b>Sertifika Periyodu / Certificate Period</b>	<b>: 3 Yıl / 3 Years</b>

Sistem etkin bir şekilde sürdürüldükçe ve gözetim tetkikleri zamanında yapıldığı müddetçe bu belge 3 yıl geçerlidir. BEL denetim yürütülmesinde gerekli itina ve yetkinlik göstermesine rağmen büyük ihtimallerde dahil sorumluluk kabul etmeyecektir. Bu belgenin mülkiyet hakkı BEL aittir ve istenildiğinde iade edilmelidir.



**BELCERT ULUSLARARASI BELGELENDİRME ŞİRKETİ**

Hürriyet Bulvarı, No:45, Türkseven Apt, K:1-D:7, Yakuplu, Beylikdüzü / İstanbul  
Telefon: 0212 438 04 76 - E-mail: info@belcert.com

Belgenin geçerlilik durumu <https://www.belcert.com> adresinden kontrol edilebilir.



12/12/2022



Zer Elektronik  
Huzur Mh, İstanbul TR,  
Fazıl Kaftanođlu Cd. No:11,  
34485 Sarıyer, Turkey

## CE DECLARATION OF CONFIRMITY

Manufacturer: Zer Elektronik, Ltd

Address: Huzur Mh. İstanbul Fazıl Kaftanođlu Cd.No: 11, 34485 Sarıyer Turkey

Product: Light Bar, Siren

Brand: Zer

Models: LLB; LBC; SALK

Standard(s) to which conformity is declared:

-ECER 65

-ECER 10

The manufacturer declares under their sole responsibility that the product identified above complies with the protection requirements of the Electromagnetic Compatibility Directive (EMC 2014/30/EU).

The manufacturer and/or it's authorized representative within Turkey is responsible for making this declaration.

---

Ahmet Erođlu – General Director

---

**ZER ELEKTRONIK**

Huzur Mh., ŐiŐli İstanbul TR,  
Fazıl Kaftanođlu Cd. No:11,  
34485 Sarıyer, Turkey

TEL: +90 212 282 30 20  
[www.zerelektronik.com.tr](http://www.zerelektronik.com.tr)