


BMC

PRODUCT DATASHEET

Brand: BMC
Model: PROCIY
Description: 12 M SOLO DIESEL BUS

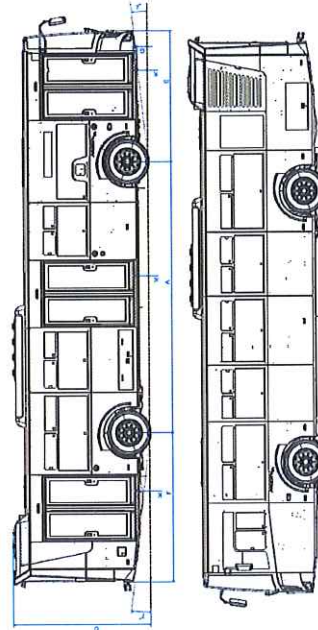
ISSUE N° : CLASS :
M3


<p>Body Type : Monoqueue (Low Floor)</p> <p>ENGINE</p> <p>Brand/Model : Cummins B6.7E6D300B</p> <p>Type : B6.7E6D</p> <p>Cylinder N° & Alignment : 6-in Line</p> <p>Stroke : 6.7 lt</p> <p>Cylindre Diameter : 107 mm</p> <p>Maximum Power : 220 kW @ 2100 did</p> <p>Maksimum Torque : 1182 Nm</p> <p>Displacement : 17.3:1</p> <p>FUEL SYSTEM</p> <p>Type : Common Rail</p> <p>Fuel Tank Volume : 300 lt</p> <p>AdBlue Tank Volume : 38 lt</p> <p>TRANSMISSION</p> <p>Brand/Model : ZF / 6AP 1200B Ecolife Automatic</p> <p>Number of Gears : 6 forward, 1 rear</p> <p>Gear Ratios : 3.36 / 1.91 / 1.42 / 1.00 / 0.72 / 0.52 / 4.24 (Reverse Gear)</p>	<p>Chassis Type : Low Floor</p> <p>BRAKES</p> <p>Brake System Type : Air Controlled Disc, Air Controlled Hand Brake, EBS (ABS+ASR)</p> <p>Retarder Type : Inarder, Activated via Hand Lever/And Brake Pedal</p> <p>AXLES</p> <p>Front Axle Brand : ZF Axle</p> <p>Front Axle Load Capacity : 8200 kg</p> <p>Rear Axle Brand : ZF Axle</p> <p>Rear Axle Load Capacity : 13000 kg</p> <p>DIFFERENTIAL</p> <p>Gear Ratio : 6.2</p> <p>STEERING</p> <p>Type : Hydraulic, Adjustable</p>	<p>SUSPENSIONS</p> <p>Front Axle : Air Bellows (2), Telescopic Shock Absorbers (2)</p> <p>Rear Axle : Air Bellows (4), Telescopic Shock Absorbers (4)</p> <p>Anti-Roll Bar / Kneeling : Rear Axle \ Side Kneeling (ECAS)</p> <p>TYRES/RIMS</p> <p>Tyres (Size/Quantity) : 275 / 70 R22.5 Tubeless / 6</p> <p>Rims : 8.25 x 22.5</p> <p>ELECTRICAL SYSTEM</p> <p>Voltage : 24V (Negatif Ground)</p> <p>Battery : 2 x 12 V / 240 Ah</p> <p>CAPACITY</p> <p>Total Passenger Capacity : 26 Seated + 77 Standing = 103 passengers 26 Seated + 73 Standing + 1 Wheel Chair = 100 passengers</p> <p>OTHER FEATURES</p> <p>Approach/Departure Angles : 7° / 7°</p> <p>Turning Radius (Kerm to Kerb) : 9200mm</p> <p>N° of Steps : Stepless</p> <p>Gross Vehicle Weight : 18000 kg</p> <p>PERFORMANCE</p> <p>Gradeability at Full Load : 25%</p>
--	---	---



DIMENSIONS (mm)

A: 5650 (Wheelbase)
B: 11970 (Total Length)
C: 2550 (Total Width)
D: 3080 (Total Height)
E: 2840 (Front Over Hang)
F: 3280 (Rear Over Hang)
G: 200 (Ground Clearance)
K: 340 (Step Height)
Kneeling Status: 270
Approach/Departure Angles: 7°/7°





BMC Otomobil San. ve Tic. A.Ş. reserves all rights to modify technical features of all its products without any prior notice.

XXXXXXXXXX / BACSI X / 700.00.0000



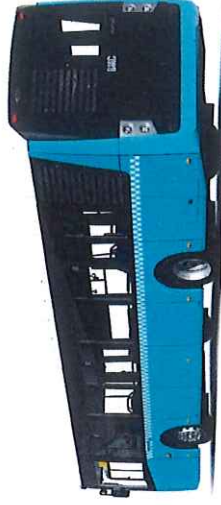
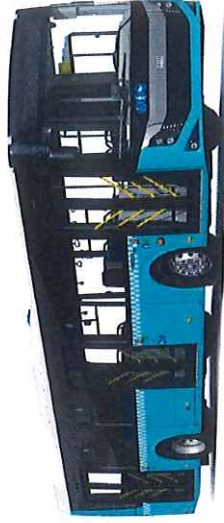
PRODUCT DATASHEET

BMC PRODUCT N°	ISSUE N°	CLASS
		M3

Brand: BMC
Model: PRO CITY
Description: 12 M SOLO DIESEL BUS

FEATURES

- Automatic fire detection and extinguishing system
- Interior LED lightings
- Isolated Driver's Cabin
- Digital Clock
- Adjustable Steering Integrated with Cluster (DWP)
- A/C
- Preheater
- LED Destination Boards
- Sliding Type Passenger Windows
- Central Axle Lubrication System
- Electrically Controlled Heated Side Mirrors
- Passenger Information Screens
- Security Cameras, Recording System
- Mobile USB Phone Charger for Driver
- Parking Sensor
- Kneeling (ECAS)
- Announcement System (With Microphone)
- Brake Pad Wear Indicator
- Manual Roof Hatch (2 Pcs)
- Manual Foldable Wheelchair Ramp
- Spare Tyre
- Tyre Jack
- Wheel Chock
- ABC Type Fire Extinguisher (2 PCS)



BMC Österreich, S.p.A. reserves all rights to modify technical features of all its products without any prior notice.

