



FUZE WASH Z350

User Manual

©2022 ELATION PROFESSIONAL all rights reserved. Information, specifications, diagrams, images, and instructions herein are subject to change without notice. ELATION PROFESSIONAL logo and identifying product names and numbers herein are trademarks of ELATION PROFESSIONAL. Copyright protection claimed includes all forms and matters of copyrightable materials and information now allowed by statutory or judicial law or hereinafter granted. Product names used in this document may be trademarks or registered trademarks of their respective companies and are hereby acknowledged. All non-ELATION brands and product names are trademarks or registered trademarks of their respective companies.

ELATION PROFESSIONAL and all affiliated companies hereby disclaim any and all liabilities for property, equipment, building, and electrical damages, injuries to any persons, and direct or indirect economic loss associated with the use or reliance of any information contained within this document, and/or as a result of the improper, unsafe, insufficient and negligent assembly, installation, rigging, and operation of this product.

Elation Professional USA | 6122 S. Eastern Ave. | Los Angeles, CA. 90040
323-582-3322 | 323-832-9142 fax | www.elationlighting.com | info@elationlighting.com

Elation Professional B.V. | Junostraat 2 | 6468 EW Kerkrade, The Netherlands
+31 45 546 85 66 | +31 45 546 85 96 fax | www.elationlighting.eu | info@elationlighting.eu

Elation Professional Mexico
AV Santa Ana 30 | Parque Industrial Lerma, Lerma, Mexico 52000
+52 (728) 282-7070

DOCUMENT VERSION



Due to additional product features and/or enhancements, an updated version of this document may be available online. Please check www.elationlighting.com for the latest revision/update of this manual before beginning installation and/or programming.

Date	Document Version	Software Version	DMX Channels	Notes
09/15/2016	1.0	1.0.1	15/16/17/19 ch.	Initial Release
09/19/2016	1.2	N/C	No Change	Added missing section of DMX traits.
04/19/2017	1.3	N/C	No Change	Updated zoom beam angles, max power specs
09/27/2018	1.4	1.15 2.16	No Change	Updated System Menu and DMX Traits; added selectable LED refresh rates
03/25/2019	1.6	2.18	No Change	Updated System Menu (gamma and calibrate)
07/01/2020	1.8	2.1.10	No Change	Updated System Menu (removed gamma, added dimmer curve settings), updated thermal
08/20/2020	2.0	2.2.11	No Change	Updated primary/secondary
11/10/2022	2.1	N/C	No Change	Added Fixture Transportation, RDM, Fan Control; updated General Info, Overview, Installation Guidelines, System Menu, Specifications

TABLE OF CONTENTS

General Information	4
Limited Warranty (USA Only)	5
Safety Precautions	6
Fixture Transportation	8
Maintenance Guidelines	9
Overview	10
Installation Guidelines	11
Accessory Installation	15
Remote Device Management (RDM)	16
System Menu	17
Fan Control	23
DMX Traits	24
Error Codes	28
Specifications	29
Dimensional Drawings	30
Optional Accessories FCC Statement	32

GENERAL INFORMATION

INTRODUCTION

Please read and understand the instructions in this manual carefully and thoroughly before attempting to operate this device. These instructions contain important safety and use information. **This device is intended for use by trained personnel only, and is not suitable for private use.**

UNPACKING

Every device has been thoroughly tested and has been shipped in perfect operating condition. Carefully check the shipping carton for damage that may have occurred during shipping. If the carton is damaged, carefully inspect the device for damage, and be sure all accessories necessary to install and operate the device have arrived intact. In the event that damage has been found or parts are missing, please contact our customer support team for further instructions. Please do not return this device to your dealer without first contacting customer support. Please do not discard the shipping carton in the trash. Please recycle whenever possible.

BOX CONTENTS

Power Cable (x1)
Omega Brackets (x2)

CUSTOMER SUPPORT

Contact ELATION Service for any product related service and support needs. Also visit forums.elationlighting.com with questions, comments or suggestions.

ELATION SERVICE USA - Monday - Friday 8:00am to 4:30pm PST
323-582-3322 | Fax 323-832-9142 | support@elationlighting.com

ELATION SERVICE EUROPE - Monday - Friday 08:30 to 17:00 CET
+31 45 546 85 63 | Fax +31 45 546 85 96 | support@elationlighting.eu

REPLACEMENT PARTS - please visit parts.elationlighting.com

THERE ARE NO USER SERVICEABLE PARTS INSIDE THIS UNIT. DO NOT ATTEMPT ANY REPAIRS YOURSELF, AS DOING SO WILL VOID YOUR MANUFACTURER'S WARRANTY. DAMAGES RESULTING FROM MODIFICATIONS TO THIS FIXTURE AND/OR THE DISREGARD OF SAFETY INSTRUCTIONS AND GUIDELINES IN THIS MANUAL VOID THE MANUFACTURER'S WARRANTY AND ARE NOT SUBJECT TO ANY WARRANTY CLAIMS AND/OR REPAIRS.

LIMITED WARRANTY (USA ONLY)

- A. Elation Professional hereby warrants, to the original purchaser, Elation Professional products to be free of manufacturing defects in material and workmanship for a period of two years (730 days), and Elation Professional product rechargeable batteries to be free of manufacturing defects in material and workmanship for a period of six months (180 days), from the original date of purchase. This warranty excludes discharge lamps and all product accessories. This warranty shall be valid only if the product is purchased within the United States of America, including possessions and territories. It is the owner's responsibility to establish the date and place of purchase by acceptable evidence, at the time service is sought.
- B. For warranty service, send the product only to the Elation Professional factory. All shipping charges must be pre-paid. If the requested repairs or service (including parts replacement) are within the terms of this warranty, Elation Professional will pay return shipping charges only to a designated point within the United States. If any product is sent, it must be shipped in its original package and packaging material. No accessories should be shipped with the product. If any accessories are shipped with the product, Elation Professional shall have no liability what so ever for loss and/or or damage to any such accessories, nor for the safe return thereof.
- C. This warranty is void if the product serial number and/or labels are altered or removed; if the product is modified in any manner which Elation Professional concludes, after inspection, affects the reliability of the product; if the product has been repaired or serviced by anyone other than the Elation Professional factory unless prior written authorization was issued to purchaser by Elation Professional; if the product is damaged because not properly maintained as set forth in the product instructions, guidelines and/or user manual.
- D. This is not a service contract, and this warranty does not include any maintenance, cleaning or periodic check-up. During the periods as specified above, Elation Professional will replace defective parts at its expense, and will absorb all expenses for warranty service and repair labor by reason of defects in material or workmanship. The sole responsibility of Elation Professional under this warranty shall be limited to the repair of the product, or replacement thereof, including parts, at the sole discretion of Elation Professional. All products covered by this warranty were manufactured after January 1, 1990, and bare identifying marks to that effect.
- E. Elation Professional reserves the right to make changes in design and/or performance improvements upon its products without any obligation to include these changes in any products theretofore manufactured.
- F. No warranty, whether expressed or implied, is given or made with respect to any accessory supplied with the products described above. Except to the extent prohibited by applicable law, all implied warranties made by Elation Professional in connection with this product, including warranties of merchantability or fitness, are limited in duration to the warranty periods set forth above. And no warranties, whether expressed or implied, including warranties of merchantability or fitness, shall apply to this product after said periods have expired. The consumer's and/or dealer's sole remedy shall be such repair or replacement as is expressly provided above; and under no circumstances shall Elation Professional be liable for any loss and/or damage, direct and/or consequential, arising out of the use of, and/or the inability to use, this product.
- G. This warranty is the only written warranty applicable to Elation Professional products and supersedes all prior warranties and written descriptions of warranty terms and conditions heretofore published.

WARRANTY RETURNS

All returned service items whether under warranty or not, must be freight pre-paid and accompanied by a return authorization (R.A.) number. The R.A. number must be clearly written on the outside of the return package. A brief description of the problem, as well as the R.A. number, must also be written down on a piece of paper and included in the shipping container. If the unit is under warranty, you must provide a copy of your proof of purchase invoice. Items returned without an R.A. number clearly marked on the out-side of the package will be refused and returned at customer's expense. You may obtain an R.A. number by contacting customer support.

SAFETY GUIDELINES

This fixture is a sophisticated piece of electronic equipment. To guarantee a smooth operation, it is important to follow all instructions and guidelines in this manual. Elation Professional is not responsible for injuries and/or damages resulting from the misuse of this fixture due to the disregard of the information printed in this manual. Only qualified and/or certified personnel should perform installation of this fixture and only the original rigging parts included with this fixture should be used for installation. Any modifications to the fixture and/or the included mounting hardware will void the original manufacturer's warranty and increase the risk of damage and/or personal injury



PROTECTION CLASS 1 - FIXTURE MUST BE PROPERLY GROUNDED.



THERE ARE NO USER SERVICEABLE PARTS INSIDE THIS UNIT. DO NOT ATTEMPT ANY REPAIRS YOURSELF, AS DOING SO WILL VOID YOUR MANUFACTURER'S WARRANTY. DAMAGES RESULTING FROM MODIFICATIONS TO THIS FIXTURE AND/OR THE DISREGARD OF SAFETY INSTRUCTIONS AND GUIDELINES IN THIS MANUAL VOID THE MANUFACTURER'S WARRANTY AND ARE NOT SUBJECT TO ANY WARRANTY CLAIMS AND/OR REPAIRS.



**DO NOT PLUG FIXTURE INTO A DIMMER PACK!
NEVER OPEN THIS FIXTURE WHILE IN USE!
UNPLUG POWER BEFORE SERVICING FIXTURE!
NEVER TOUCH FIXTURE DURING OPERATION, AS IT MAY BE HOT! KEEP FLAMMABLE MATERIALS AWAY FROM FIXTURE!**



**DO NOT PLUG FIXTURE INTO A DIMMER PACK!
NEVER OPEN FIXTURE WHILE IN USE!
UNPLUG POWER BEFORE SERVICING!
NEVER TOUCH FIXTURE DURING OPERATION, AS SURFACES MAY BE HOT!
KEEP FLAMMABLE MATERIALS WELL AWAY FROM FIXTURE!**



**NEVER LOOK DIRECTLY INTO THE LIGHT SOURCE!
RETINA INJURY RISK - MAY INDUCE BLINDNESS!
SENSITIVE PERSONS MAY SUFFER AN EPILEPTIC SHOCK!**



**INDOOR / DRY LOCATIONS ONLY!
DO NOT EXPOSE TO RAIN AND / OR MOISTURE!**

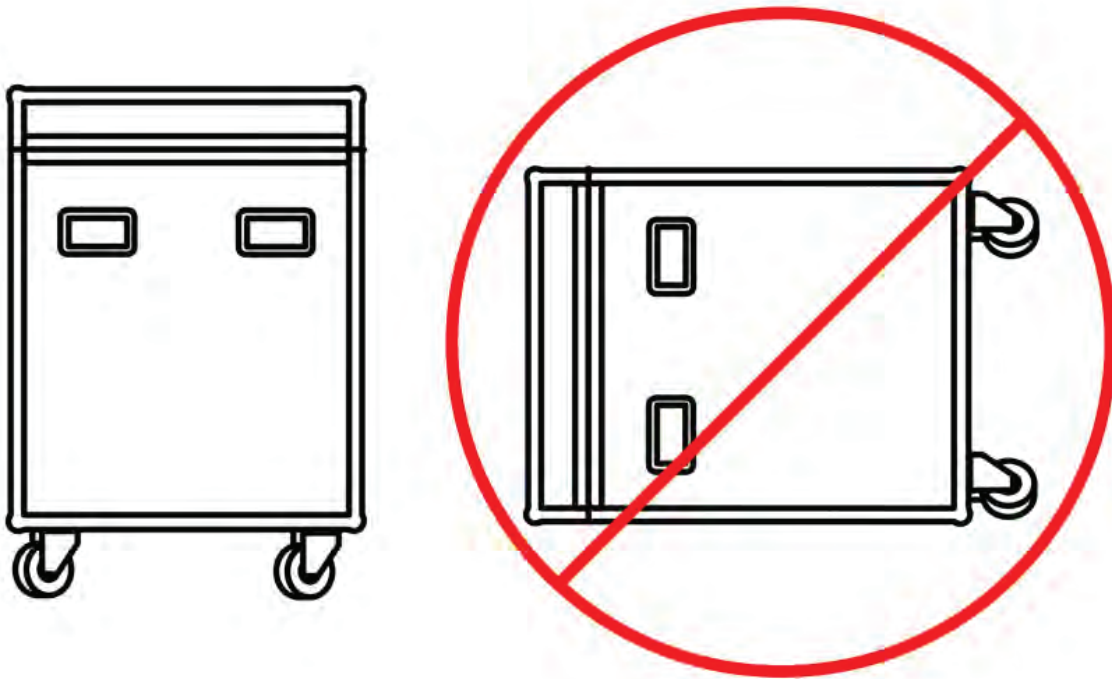
SAFETY GUIDELINES

- DO NOT TOUCH the fixture housing during operation. Turn OFF the power and allow approximately 15 minutes for the fixture to cool down before servicing.
- DO NOT shake fixture, and avoid brute force when installing and/or operating fixture.
- DO NOT operate fixture if the power cord is frayed, crimped, damaged, and/or if any of the power cord connectors are damaged and do not insert into the fixture securely with ease. NEVER force a power cord connector into the fixture. If the power cord or any of its connectors are damaged, replace it immediately with a new one of the same power rating.
- DO NOT block any air ventilation slots. All fan and air inlets must remain clean and never blocked.
- Allow approx. 6" (15cm) between fixture and other devices or a wall for proper cooling.
- When installing fixture in a suspended environment, always use mounting hardware that is no less than M10 x 25 mm, and always install fixture with an appropriately rated safety cable.
- Always disconnect fixture from main power source before performing any type of service and/or cleaning procedure.
- Only handle the power cord by the plug end. Never pull out the plug by tugging the wire portion of the cord.
- During the initial operation of this fixture, a light smoke or smell may emit from the interior of the fixture. This is a normal process and is caused by excess paint in the interior of the casing burning off from the heat associated with the lamp and will decrease gradually over time.
- Consistent operational breaks will ensure fixture will function properly for many years.

FIXTURE TRANSPORTATION

The device is a large format fixture that contains delicate optics and glass filters. While this product was carefully designed to be roadworthy, it must be handled carefully during transportation. If your fixture features color flags, ensure before transport that the color flags are placed in an OPEN position. For superior impact protection, the fixture should be shipped in a custom fitted high-density Foam Inlay (FIL). This FIL must be used inside the road-cases for transportation.

DO NOT tip the case over, and avoid all shocks and rough handling, especially “tipping”, the practice of tipping the fixture-case over to its side and onto a hard surface. The case must ride on its wheels so that the fixture-head remains horizontal during transportation.



MAINTENANCE GUIDELINES



DISCONNECT POWER BEFORE PERFORMING ANY MAINTENANCE!

CLEANING

Frequent cleaning is recommended to ensure proper function, optimized light output, and an extended life. The frequency of cleaning depends on the environment in which the fixture operates: damp, smoky or particularly dirty environments can cause greater accumulation of dirt on the fixture's optics. Periodically clean the external lens surface with a soft cloth to avoid dirt/debris accumulation. **NEVER** use alcohol, solvents, or ammonia-based cleaners.

MAINTENANCE

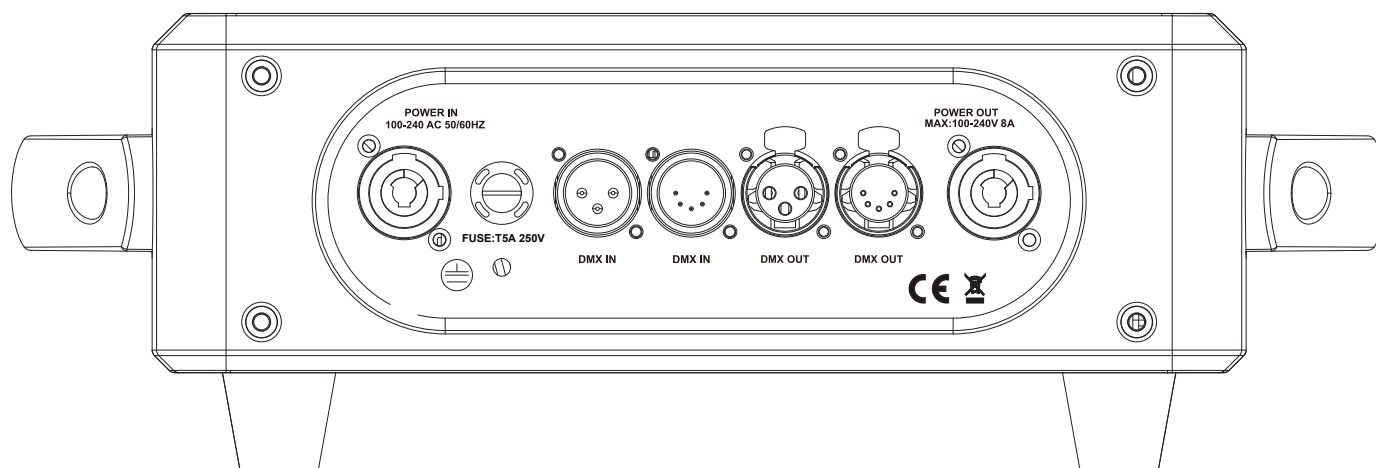
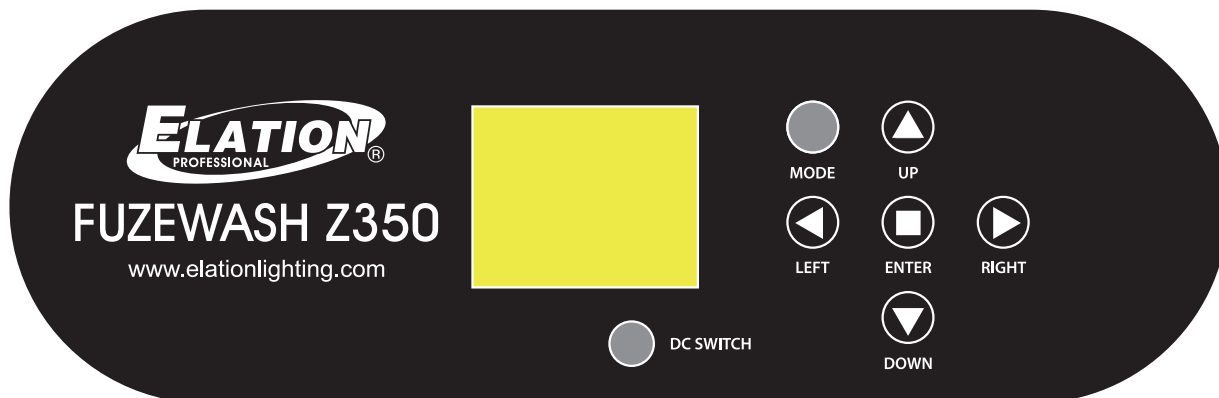
Regular inspections are recommended to insure proper function and extended life. There are no user serviceable parts inside this fixture. Please refer all other service issues to an authorized Elation service technician. Should you need any spare parts, please order genuine parts from your local Elation dealer.

Please refer to the following points during routine inspections:

- A detailed electrical check by an approved electrical engineer every three months, to make sure the circuit contacts are in good condition and prevent overheating.
- Be sure all screws and fasteners are securely tightened at all times. Loose screws may fall out during normal operation, resulting in damage or injury as larger parts could fall.
- Check for any deformations on the housing, color lenses, rigging hardware, and rigging points (ceiling, suspension, trussing). Deformations in the housing could allow for dust to enter into the fixture. Damaged rigging points or unsecured rigging could cause the fixture to fall and seriously injure a person(s).
- Electrical power supply cables must not show any damage, material fatigue, or sediments.

NEVER remove the ground prong from the power cable.

OVERVIEW



INSTALLATION GUIDELINES



FLAMMABLE MATERIAL WARNING

Keep fixture minimum 5.0 feet (1.5m) away from flammable materials and/or pyrotechnics.



ELECTRICAL CONNECTIONS

A qualified electrician should be used for all electrical connections and/or installations.



MINIMUM DISTANCE TO SURFACES/OBJECTS IS 3.3 FEET (1 METER).

MINIMUM DISTANCE TO FLAMMABLE MATERIALS IS 1.6 FEET (0.5 METER).



DO NOT INSTALL THE FIXTURE IF YOU ARE NOT QUALIFIED TO DO SO!

Fixture **MUST** be installed following all local, national, and country commercial electrical and construction codes and regulations.

Before rigging/mounting a single fixture or multiple fixtures to any metal truss/structure or placing the fixture(s) on any surface, a professional equipment installer **MUST** be consulted to determine if the metal truss/structure or surface is properly certified to safely hold the combined weight of the fixture(s), clamps, cables, and accessories.

Overhead rigging requires extensive experience, including calculating working load limits, installation material being used, and periodic safety inspection of all installation material and the fixture, among other skills. If you lack these qualifications, do not attempt the installation yourself. Improper installation can result in bodily injury.

Fixture ambient operating temperature is **14°F to 113°F (-10°C to 45°C)**. Do not operate the fixture when the ambient temperature falls outside of this range.

Do not install outdoors or expose to rain and/or moisture. Fixture is intended for use in dry, indoor areas only.

Fixture(s) should be installed away from walking paths, seating areas, or areas where unauthorized personnel might reach the fixture by hand.

NEVER stand directly below the fixture(s) when rigging, removing, or servicing.

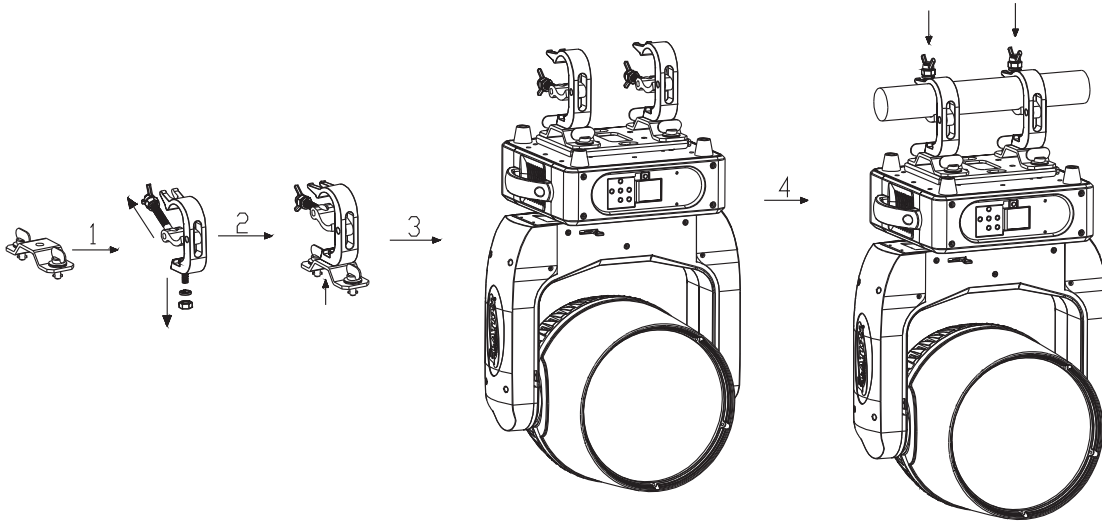
Overhead fixture installation must always be secured with a secondary safety attachment, such as an appropriately rated safety cable.

Allow approximately 15 minutes for the fixture to cool down before servicing.

INSTALLATION GUIDELINES

OMEGA BRACKET INSTALLATION

Insert the Omega Brackets into the matching holes on the bottom of the fixture. Secure the Omega Brackets to the fixture by turning each quick-lock fastener ¼ turn clockwise, and make sure each fastener is completely locked. Install brackets as illustrated below.

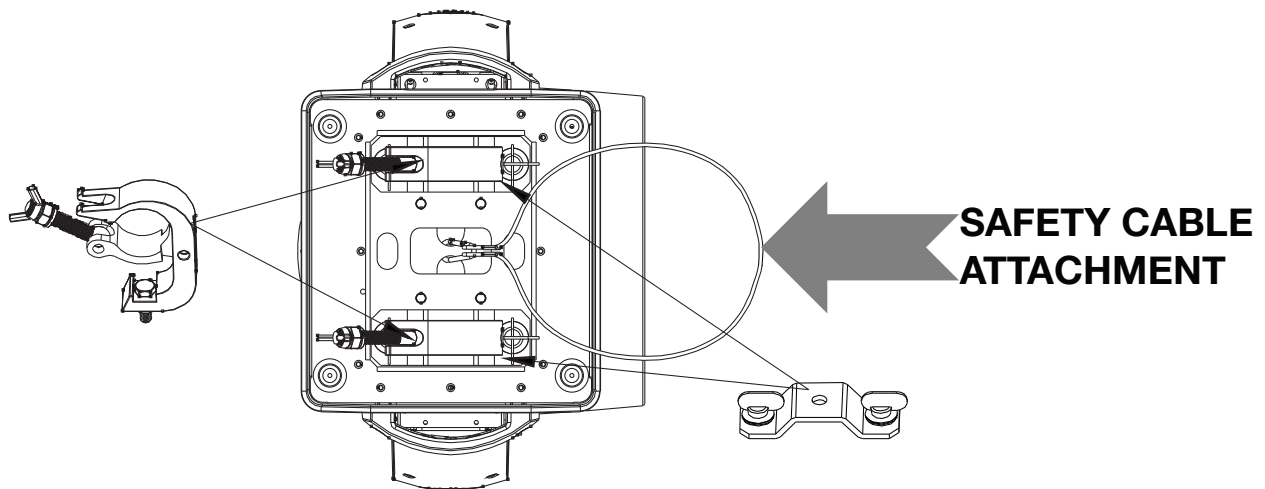


CLAMP INSTALLATION

When mounting fixture to truss, secure an appropriately rated professional grade rigging clamp to the included Omega Brackets or Single Clamp Bracket Kit. Insert an M10 screw through the center hole of the Omega Brackets or through the center hole of the Single Clamp Bracket Kit. The fixture provides a built-in rigging point for a SAFETY CABLE. Be sure to only use the designated rigging point for the safety cable and never secure a safety cable to a carrying handle.



ALWAYS ATTACH A SAFETY CABLE WHENEVER INSTALLING THIS FIXTURE IN A SUSPENDED ENVIRONMENT TO ENSURE THAT THE FIXTURE WILL NOT FALL IF THE CLAMP FAILS. ONLY USE DESIGNATED RIGGING POINTS FOR SAFETY CABLE, AND NEVER ATTACH A SAFETY CABLE TO A CARRYING HANDLE.



INSTALLATION INSTRUCTIONS

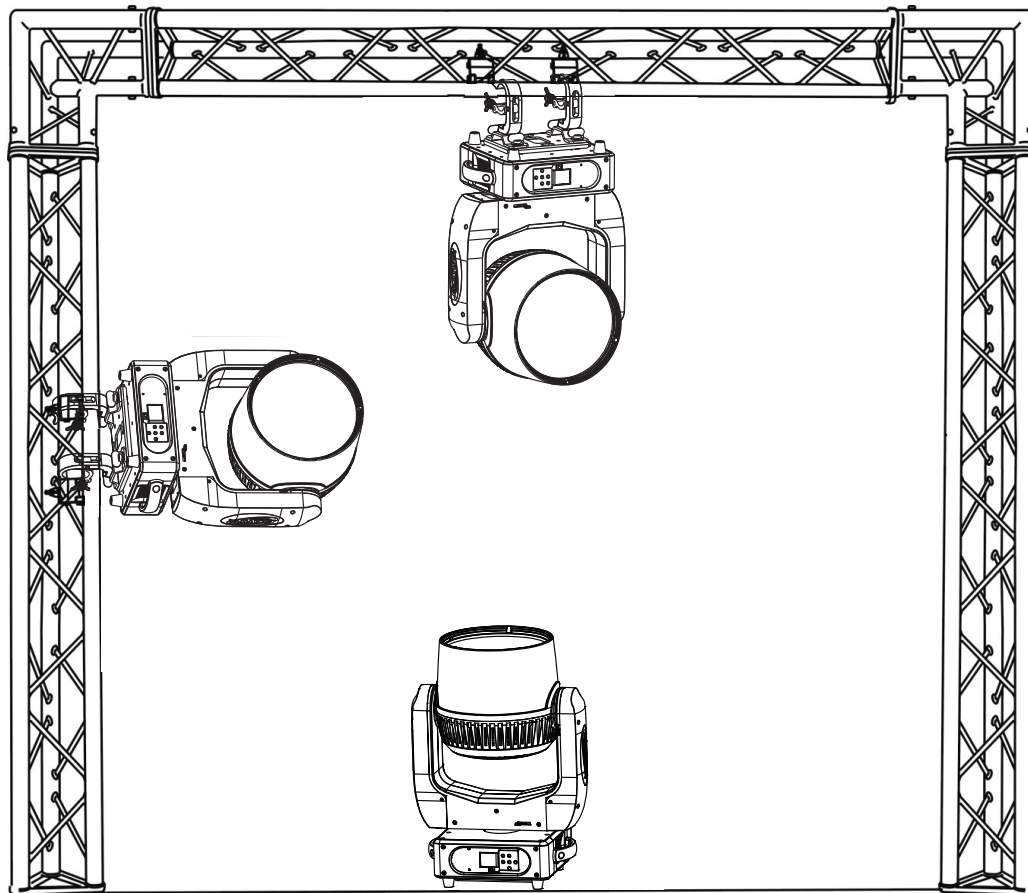
POWER LINKING:

USE CAUTION WHEN POWER LINKING OTHER FIXTURES OF OTHER MAKES OR MODEL TYPES, AS THE POWER CONSUMPTION OF OTHER MODEL FIXTURES MAY EXCEED THE MAX POWER OUTPUT ON THIS FIXTURE. CHECK SILK SCREEN FOR MAX AMPS.

RIGGING

Overhead rigging requires extensive experience, including calculating working load limits, installation material being used, and periodic safety inspection of all installation material and the fixture, among other skills. If you lack these qualifications, do not attempt the installation yourself. Improper installation can result in bodily injury.

The fixture is fully operational in the following positions: hanging from a horizontal truss, suspended sideways from a vertical truss, or standing upright on a flat, level surface. See the illustration below for reference.



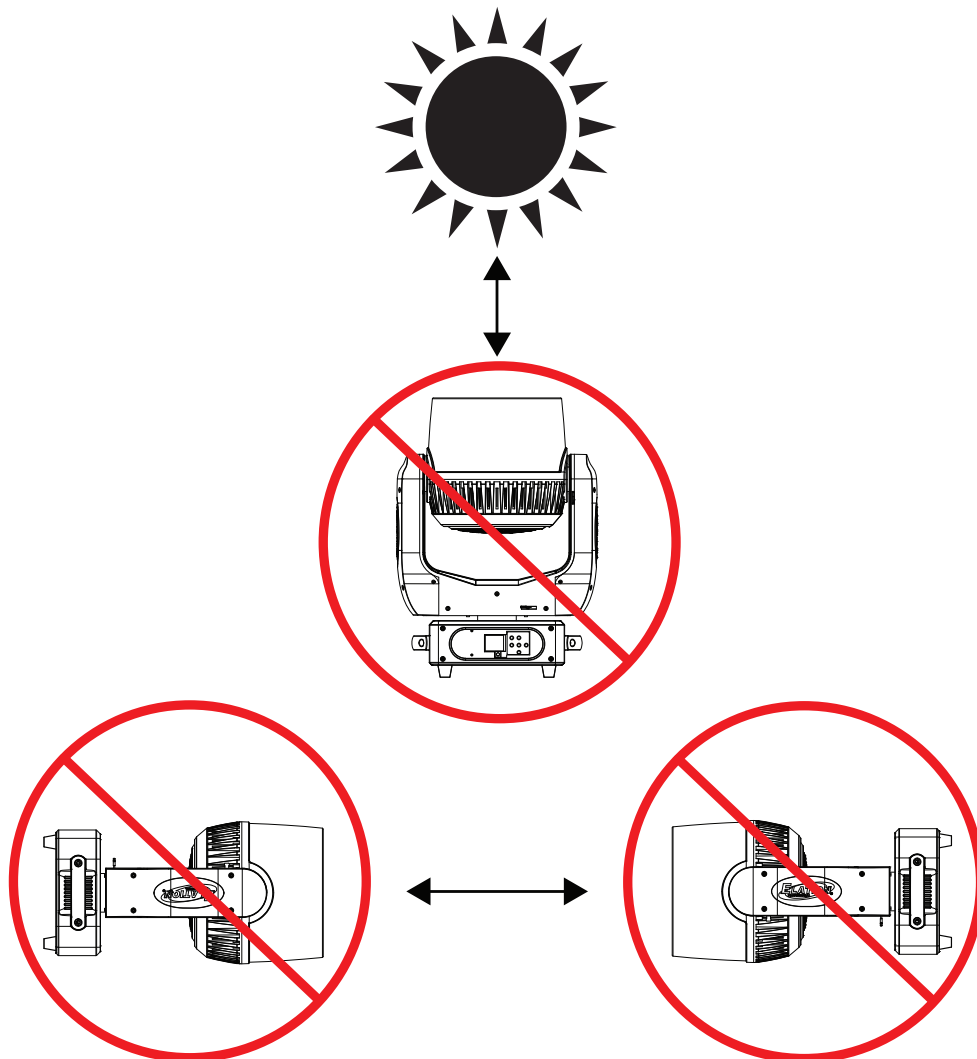
INSTALLATION INSTRUCTIONS

POTENTIAL INTERNAL FIXTURE DAMAGE FROM EXTERNAL SOURCES OF LIGHT BEAMS

External sources of light beams from direct sunlight, lighting and moving head fixtures, and lasers, which are focused directly towards the exterior housing and/or penetrate the front lens opening of Elation lighting fixtures, can cause severe internal damage including burning of optics, dichroic color filters, glass and metal gobos, prisms, animation wheels, frost filters, iris, shutters, motors, belts, wiring, discharge lamps, and LEDs.

This issue is not specific only to Elation lighting fixtures, but rather it is a common issue with lighting fixtures from all manufacturers. Although there is no true way to fully prevent this issue from happening, the guidelines below can reduce the risk of potential damage. Contact Elation Service for more details.

DO NOT EXPOSE THE FIXTURE AND/OR FRONT LENS OPENING TO LIGHT BEAMS FROM DIRECT SUNLIGHT, OTHER LIGHTING OR MOVING HEAD FIXTURES, AND LASERS DURING UNPACKING, INSTALLATION, USE, AND EXTENDED IDLE TIMES OUTDOORS. DO NOT FOCUS A LIGHT BEAM FROM ONE LIGHTING FIXTURE DIRECTLY TOWARDS ANOTHER.

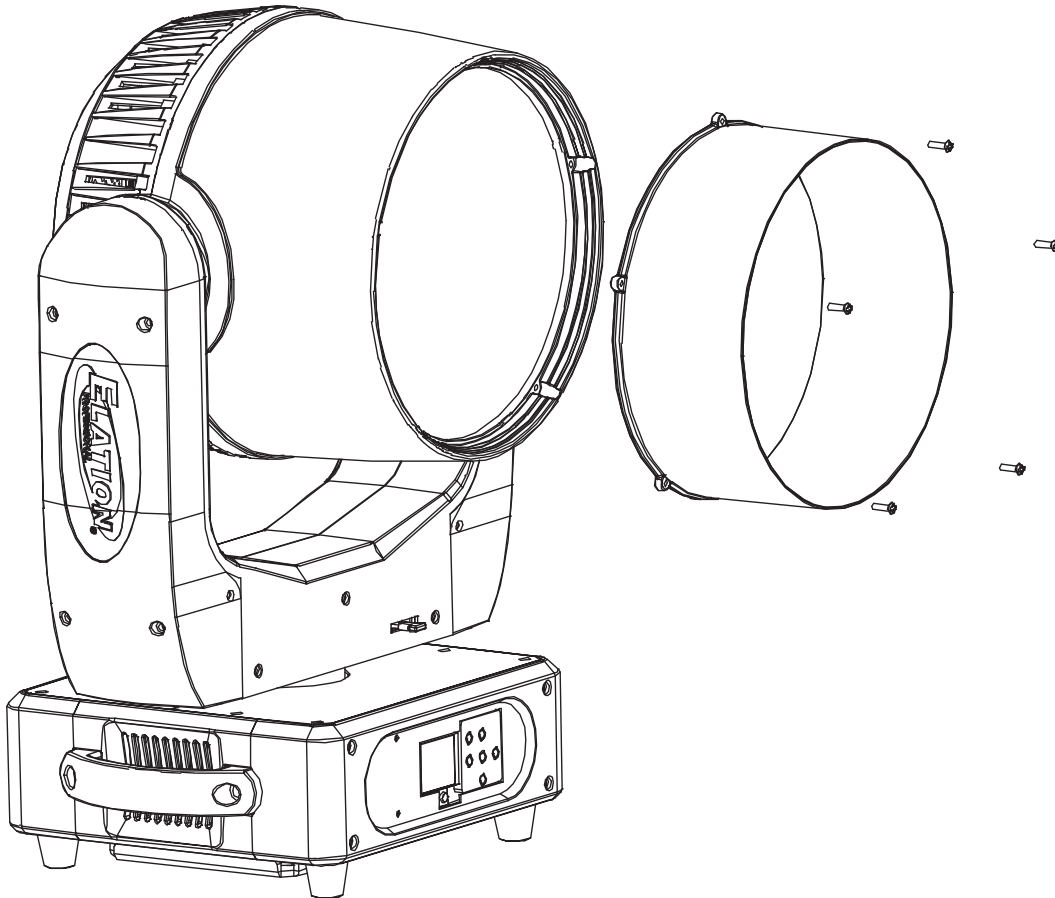


ACCESSORY INSTALLATION

SNOOT

1. Place fixture on a flat surface and make sure power is switched off and disconnected.
2. Insert Snoot into fixture head and secure using screws provided. (See image below)

Do not to over tighten screws, as doing so may damage your fixture.



REMOTE DEVICE MANAGEMENT (RDM)

NOTE: In order for RDM to work properly, RDM enabled equipment must be used throughout the entire system, including DMX data splitters and wireless systems.

Remote Device Management (RDM) is a protocol that sits on top of the DMX512 data standard for lighting, allowing the DMX systems of the fixtures to be modified and monitored remotely. This protocol is ideal for instances in which a unit is installed in a location that is not easily accessible.

With RDM, the DMX512 system becomes bi-directional, allowing a compatible RDM enabled controller to send out a signal to devices on the wire, as well as allowing the fixture to respond (known as a GET command). The controller can then use its SET command to modify settings that would typically have to be changed or viewed directly via the unit's display screen, including the DMX Address, DMX Channel Mode, and Temperature Sensors.

FIXTURE RDM INFORMATION:

RDM Code	Device ID	Device Model ID	Personality ID
0x22A6	0000-FFFF	1863	001: 15Ch RGBW 002: 16Ch HIS 003: 17Ch SRGBI 004: 19Ch RGBW

Please be aware that not all RDM devices support all RDM features, and therefore it is important to check beforehand to ensure that the equipment that you are considering includes all of the features that you require.

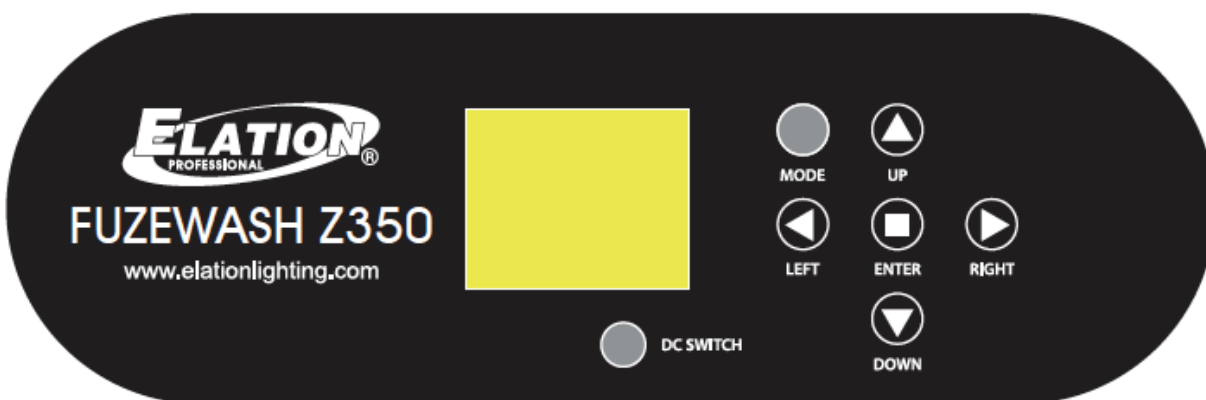
The following parameters are accessible in RDM on this device:

[0x0011] Proxied Device Count	[0x0404] Lamp Mode
[0x0200] Sensor Definition	[0x0405] Device Power Cycles
[0x0201] Sensor Value	[0x0600] Pan Invert
[0x0080] Device Model Description	[0x0601] Tilt Invert
[0x0081] Manufacturer Label	[0x0602] Pan Tilt Swap
[0x0082] Device Label	[0x0500] Display Invert
[0x00E0] DMX Personality	[0x0122] Default Slot Value
[0x00E1] DMX Personality Description	[0x00B0] Language
[0x0400] Device Hours	[0x00A0] Language Capabilities
[0x0015] Comms Status	[0x00C2] Boot Software Version Label
[0x0031] Status ID Description	[0x00C1] Boot Software Version ID
[0x0032] Clear Status ID	[0x0070] Product Detail ID List
[0x0401] Lamp Hours	[0x0030] Status Messages
[0x0402] Lamp Strikes	[0x1001] Reset Device
[0x0403] Lamp State	

SYSTEM MENU

The fixture features with an easy to navigate system menu. The control panel (see image below) located on the front the fixture provides access to the main system menu, where all necessary system adjustments can be made. During normal operation, pressing MODE button once will access the fixture's main menu. Once in the main menu, navigate through the different functions and access the sub-menus with the UP, DOWN, RIGHT, and LEFT buttons. Once you reach a field that requires adjusting, press the ENTER button to activate that field and use the UP and DOWN buttons to adjust the field. Pressing the ENTER button once more will confirm your setting. You may exit the main menu at any time without making any adjustments by pressing the MODE/ESC button.

NOTE: To access the LCD Menu Control Display via the internal battery, press and hold the DC SWITCH button for 3 seconds. The LCD Menu Control Display will shut OFF automatically after about 1 minutes of inactivity.



INFORMATION DISPLAYED DURING INITIAL POWER ON

When the fixture is initially powered ON, the display shows the following information:



SOFTWARE UPDATES:

Software updates can be uploaded to this unit using the Elation C-Loader II software uploader device. For further information, or to obtain this device, please contact Elation Service: 323-582-3322 | support@elationlighting.com

SYSTEM MENU

ELATION FUZE WASH Z350 SYSTEM MENU					
Supports Software Versions: \geq 1.15 2.2.10					
Features subject to change without notice.					
RECEIVE	Set DMX Address	001 - XXX		DMX address setting	
USER MODE	User Mode	15CH RGBW		Set DMX channel / user mode	
		16CH HSI			
		17CH sRGBI			
		19CH RGBW			
		User A			
		User B			
		User C			
	Edit A	Max Chan		Edit user defined channel assignments	
	Edit B	...			
	Edit C	Chase Fade			
FUNCTION	Status	Remote Add	On / Off	Set fixture address via DMX control	
		NoDMX Mode	Hold	Function if no DMX signal detected	
			Auto		
			Blackout		
			Pan Invert	On / Off	Pan reverse movement
			Tilt Invert	On / Off	Tilt reverse movement
			Pan Degree	630 / 540	Pan degree select
			Feedback	On / Off	Movement feedback
			Move Spd	Speed 1 - Speed 4	Movement speed select
			Stand By	Off, 01min - 99min	Stand by mode, default = 15min
	Fan Set	Head Fan	Auto	Fan speed set	
			High		
			Low		
	LCD Set	Backlight	02min - 60min	LCD backlight shutoff time, default = 05min	
		Flip Display	On / Off	Flip LCD display 180 deg	
		Key Lock	On / Off	Control front panel buttons key lock	
		Disp Flash	On / Off	Display flashes when no DMX signal detected	
	Dim Curve	Standard		Set dimmer curve mode	
		Stage			
		TV			
		Architectur			
		Theatre			
		Temp C/F	Celsius / Fahrenheit		Set temperature display units

CONTINUED ON NEXT PAGE

SYSTEM MENU

FUNCTION (continued)	Init Effect	Pan = xxx		Initial effect position	
	Disp Set	Chan Value	Pan...	Value of channel	
		Secd Set	Sec 1		Set secondary mode preset
			Sec 2		
			Sec 3		
	Auto Pro	Alone / Primary		Set auto program mode	
	Dim Curve	Linear			Set dimmer curve
Square					
I-Square					
S-Curve					
DFSE	On / Off		Restore factory settings		
INFORMATION	Time Info	Current	xxxx hours	Fixture run time from power on	
		Total Time	xxxx hours	Fixture total run time	
		Last Clear	xxxx hours	Clear fixture last run time	
		Timer PIN	Passcode = 050	Enter passcode to access clear last menu	
		Clear Last	On / Off	Reset fixture last run time	
	Temp Info	Head Temp	xxx C / xxx F	Fixture head temperature	
	Error Info	Error Record 1 - Error Record 10		Display last 10 error messages	
	Clear Error	Passcode = 050		Clear stored error history	
	Model Info	Fuze Wash Z350		Display model name	
	Software Version	Vx.xx		Software versions	
	Gamma	1.0		Set gamma brightness (only available with software V2.1.8 and higher)	
2.0					
2.2					
2.4					
2.6					
2.8					
TEST	Reset M	Pan & Tilt		Reset pan/tilt motors	
	Test Chan			Test functions	
	Panel Ctrl			Fine adjustments	
	Calibrate	Password = 050		Calibration of motors and LEDs (only available with software V2.1.8 and higher)	
		Red Low			
		Green Low			
Blue Low					
	White Low				
CONTINUED ON NEXT PAGE					

SYSTEM MENU

PROGRAM	Select Pro	Auto Pro Part1 = Program 1-9 (Program 1)		Select programs to be run
		Auto Pro Part2 = Program 1-9 (Program 2)		
		Auto Pro Part3 = Program 1-9 (Program 3)		
	Edit Pro	Program 1	Program Test	Testing program
		...	Step 01 = SCxxx	Program in loop
		Program 9	Step 64 = SCxxx	Save and exit
	Edit Sce	Scene 001 - Scene 250	Pan, Tilt, ...	Save and automatically return
			-- Fade Time -- -- Scene Time --	Manual scenes edit
			Input by Outside	Stores scenes via external DMX console
	Sce Input	xx - xx		Automatic scenes recorder

SYSTEM MENU

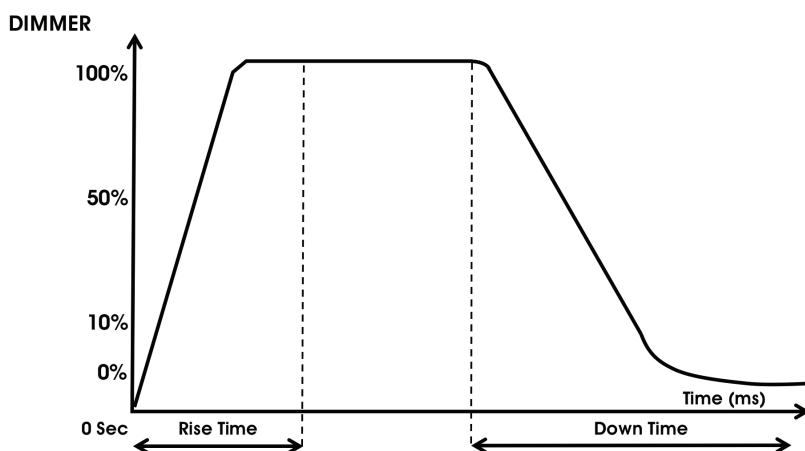
Function - Status - Remote Add

When enabled, an external controller can be used to define the DMX address of the fixture.

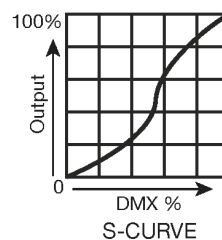
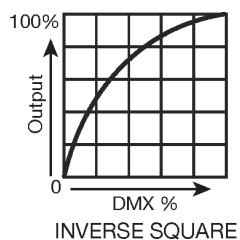
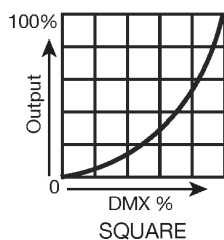
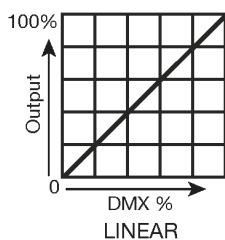
1. Connect the fixture to the external controller and power both devices on.
2. Set the DMX value of Channel 1 on the controller to (7).
3. Set the DMX value of Channel 2 on the controller to (7) or (8), depending on the desired DMX address.
 - When set to (7), the DMX address can be set between (1) and (255).
 - When set to (8), the DMX address can be set between (256) and (511).
4. Using Channel 3 on the controller, set the desired DMX address of the fixture.
 - Example 1: If the desired DMX address is 57, set Channel 1 to a value of (7), set Channel 2 to a value of (7), and then set Channel 3 to a value of (57).
 - Example 2: If the desired DMX address is 420, set Channel 1 to a value of (7), set Channel 2 to a value of (8), and then set Channel 3 to a value of (164). (256+164=420)
5. After setting Channel 3 to the desired DMX address value, wait for approximately 20 seconds for the fixture to complete the address reset function.

Function - Dim Mode

Select desired DIMMER MODE (Standard, Stage, TV, Architectural, Theatre).



Dimming Curve Ramp Effect	0 sec Fade Time		1 sec Fade Time	
	Rise Time (ms)	Down Time (ms)	Rise Time (ms)	Down Time (ms)
Standard (default)	0	0	0	0
Stage	780	1100	1540	1660
TV	1180	1520	1860	1940
Architectural	1380	1730	2040	2120
Theatre	1580	1940	2230	2280



SYSTEM MENU

Test – Calibrate

ONLY QUALIFIED TECHNICIANS SHOULD PERFORM THIS FUNCTION

This function allows small adjustments to be made to the effect wheels to compensate for wear, or in the event a sensor has been knocked slightly out of place. Due to the fact that improper use of this function can result in undesired operation, this function has been password protected. The password is **050** and must be entered each time the calibration menu function is accessed. Because calibration is an extremely delicate procedure that should be performed only by skilled, qualified personnel, instructions for this procedure are left out of this manual. For a first time calibrator, please contact our customer support team for step-by-step instructions.

FAN CONTROL

The Fuze Wash Z350 is a high-performance fixture suited for multiple applications. For noise critical environments such as Theater, Opera, or Orchestral Halls, it offers various fan operation modes which remove unwanted noise distractions for the audience and performers. Fan Modes can be changed remotely via the DMX control channel, allowing the fixture to offer high output or whisper-silent operation at a moment's notice. All Fan Modes smoothly transition over a brief period, preventing unwanted attraction to the fixture.

Auto (Default) – Fans only run at the speeds needed to keep the LED engine within a safe temperature range, and ensures optimal performance of the fixture. They will turn off if possible; for example, when the fixture is dimmed to a low intensity. Fans sense the ambient and fixture temperature and will, at all times, try to keep noise levels at a minimum. The fixture output will only be reduced when the LED engine cannot be cooled to its safe operating range due to a high ambient temperature.

NOTE: This mode is recommended for daily operation.

High – Fan speeds are increased throughout the fixture for the most efficient cooling. This mode will increase wear on the fans and should only be utilized in exceptional circumstances. Fans will always run, even if the fixture is dimmed. Fixture output is kept at 100% unless the LED engine temperature reaches an unsafe temperature, at which point the fixture will reduce power carefully to ensure continued safe operation. This mode is only required in very high ambient temperatures when automatic fan speed adjustments are not desired.

Low – Fan speeds are reduced throughout the fixture for a lower noise profile. The fixture output is also reduced to approximately 80%. This mode should be sufficient for most uses where lower noise is required.

DMX TRAITS

ELATION FUZE WASH Z350 DMX CHANNEL TRAITS					
Supports Software Versions: 2.1.10					
Features subject to change without notice. Rotation direction (clockwise/counter-clockwise) and control of effects depends on head orientation and pan/tilt settings.					
CHANNEL				DMX VALUES	FUNCTION
15 RGBW	16 HSI	17 RGBI	19 RGBW		
1	1	1	1	000 - 255	Pan Movement
2	2	2	2	000 - 255	Pan Movement Fine
3	3	3	3	000 - 255	Tilt Movement
4	4	4	4	000 - 255	Tilt Movement Fine
5		6	5	000 - 255	Red, 0% to 100%
6		7	6	000 - 255	Green, 0% to 100%
7		8	7	000 - 255	Blue, 0% to 100%
8			8	000 - 255	White, 0% to 100%
9	5	5	10		Shutter/Strobe
				000 - 031	LED Off
				032 - 063	LED On
				064 - 095	Strobe Effect, slow to fast
				096 - 127	LED On
				128 - 159	Pulse Effect in Sequences
				160 - 223	Random Strobe Effect, slow to fast
224 - 255	LED On				
	6			000 - 255	Hue, 0% to 100%
	7			000 - 255	Saturation, 0% to 100%
	8	9		000 - 255	Intensity, 0% to 100%
9	10	10	9		Color Presets
				000	Off
				001 - 004	Color Preset 01
				005 - 008	Color Preset 02
				009 - 012	Color Preset 03
				013 - 016	Color Preset 04
				017 - 020	Color Preset 05
				021 - 024	Color Preset 06
				025 - 028	Color Preset 07
				029 - 032	Color Preset 08
				033 - 036	Color Preset 09
				037 - 040	Color Preset 10
				041 - 044	Color Preset 11
				045 - 048	Color Preset 12
				049 - 052	Color Preset 13
				053 - 056	Color Preset 14
				057 - 060	Color Preset 15
061 - 064	Color Preset 16				
065 - 068	Color Preset 17				

CONTINUED ON NEXT PAGE

DMX TRAITS

CHANNEL				DMX VALUES	FUNCTION
15 RGBW	16 HSI	17 RGBI	19 RGBW		
	9	10	9		Color Presets (continued)
				069 - 072	Color Preset 18
				073 - 076	Color Preset 19
				077 - 080	Color Preset 20
				081 - 084	Color Preset 21
				085 - 088	Color Preset 22
				089 - 092	Color Preset 23
				093 - 096	Color Preset 24
				097 - 100	Color Preset 25
				101 - 104	Color Preset 26
				105 - 108	Color Preset 27
				109 - 112	Color Preset 28
				113 - 116	Color Preset 29
				117 - 120	Color Preset 30
				121 - 124	Color Preset 31
				125 - 128	Color Preset 32
				129 - 132	Color Preset 33
				133 - 136	Color Preset 34
				137 - 140	Color Preset 35
				141 - 144	Color Preset 36
				145 - 148	Color Preset 37
				149 - 152	Color Preset 38
				153 - 156	Color Preset 39
				157 - 160	Color Preset 40
				161 - 164	Color Preset 41
				165 - 168	Color Preset 42
				169 - 172	Color Preset 43
				173 - 176	Color Preset 44
				177 - 180	Color Preset 45
				181 - 184	Color Preset 46
				185 - 188	Color Preset 47
				189 - 192	Color Preset 48
193 - 196	Color Preset 49				
197 - 200	Color Preset 50				
201 - 204	Color Preset 51				
205 - 208	Color Preset 52				
209 - 212	Color Preset 53				
213 - 216	Color Preset 54				
217 - 220	Color Preset 55				
221 - 224	Color Preset 56				
225 - 228	Color Preset 57				
229 - 232	Color Preset 58				

CONTINUED ON NEXT PAGE

DMX TRAITS

CHANNEL				DMX VALUES	FUNCTION
15 RGBW	16 HSI	17 RGBI	19 RGBW		
					Color Presets (continued)
				233 - 236	Color Preset 59
				237 - 240	Color Preset 60
	9	10	9	241 - 244	Color Preset 61
				245 - 248	Color Preset 62
				249 - 252	Color Preset 63
				253 - 255	Color Preset 64
10				000 - 255	Dimmer Intensity, 0% to 100%
11				000 - 255	Dimmer Intensity Fine
12	10	11	13	000 - 255	Zoom, 0% (6 degrees) to 100% (46 degrees)
					Program Macros
				000	No Function
				001 - 020	Color Macro 01
				021 - 040	Color Macro 02
				041 - 060	Color Macro 03
				061 - 080	Color Macro 04
				081 - 100	Color Macro 05
				101 - 120	Color Macro 06
				121 - 140	Color Macro 07
				141 - 160	Color Macro 08
				161 - 180	Color Macro 09
				181 - 200	Color Macro 10
				201 - 230	Color Macro 11
				231 - 240	Color Macro 12
				241 - 250	Color Macro 13
				251 - 255	Gradient Color Macro
					Program Macro Speed
				000 - 125	Counter-Clockwise Movement, fast to slow
				126 - 130	Stop Movement
				131 - 255	Clockwise Movement, slow to fast
	12	13	15	000 - 255	Program Macro Fade, 0% to 100%
	13	14	16	000 - 255	Program Macro Fade, 0% to 100%
					Dimming Curve Modes
				000 - 020	Standard
				021 - 040	Stage
				041 - 060	TV
				061 - 080	Architectural
				081 - 100	Theatre
				101 - 255	Default to unit setting
					Pan/Tilt Movement Speed
				000 - 225	Speed, maximum to minimum
				226 - 235	Blackout by movement
				236 - 255	No Function
13	14	15	17	000 - 020	Standard
				021 - 040	Stage
				041 - 060	TV
				061 - 080	Architectural
				081 - 100	Theatre
				101 - 255	Default to unit setting
14	15	16	18	000 - 225	Speed, maximum to minimum
				226 - 235	Blackout by movement
				236 - 255	No Function

CONTINUED ON NEXT PAGE

DMX TRAITS

CHANNEL				DMX VALUES	FUNCTION
15 RGBW	16 HSI	17 RGBI	19 RGBW		
15	16	17	19		Lamp On/Off, Reset, and Internal Programs
				000 - 079	Normal
				080 - 084	All Motor Reset
				085 - 099	No Function
				100 - 119	Internal Program 1 (scene 1-8)
				120 - 139	Internal Program 2 (scene 9-16)
				140 - 159	Internal Program 3 (scene 17-24)
				160 - 179	Internal Program 4 (scene 25-32)
				180 - 199	Internal Program 5 (scene 33-40)
				200 - 219	Internal Program 6 (scene 41-48)
				220 - 239	Internal Program 7 (scene 49-56)
				240 - 255	No Function

ERROR CODES

When power is applied, the unit will automatically enter a “Motor Reset” mode, which brings all the internal motors to the home position. If there is an internal problem with one or more of the motors, an error code (see below) will flash on the control display.

ERROR CODE	DESCRIPTION
TILT Er	The TILT movement is not located in the default position after the reset. This message will appear after a fixture reset if the magnetic-indexing circuit malfunctions (sensor failed or magnet is missing) or there is a motor failure (defective motor or defective motor IC drive on main PCB). This error may also occur if the head was blocked during a reset function
PAN Er	The PAN movement is not located in the default position after the reset. This message will appear after a fixture reset if the magnetic-indexing circuit malfunctions (sensor failed or magnet is missing) or there is a motor failure (defective motor or a defective motor IC drive on the main PCB). This error may also occur if the head/yoke was blocked during a reset function.

SPECIFICATIONS

SOURCE

350W RGBW COB LED

100,000 Hour Average LED Life*

*May vary depending on several factors including but not limited to: Environmental Conditions, Power/Voltage, Usage Patterns (On-Off Cycling), Control, and Dimming.

PHOTOMETRIC DATA

60,280 LUX 5,600 FC @6.6' (2m) (6° Full ON)

3,735 LUX 347 FC @6.6' (2m) (46° Full ON)

COLOR

RGBW

EFFECTS

RGBW Color Mixing

6° to 46° Beam Zoom Range

Electronic Strobe, Dimming and Variable Dimming Curves

64 Color Presets and 14 Unique Color Macros

Pan Angle: 540°/630°

Tilt Angle: 250°

CONTROL / CONNECTIONS

4 DMX Channel Modes (19 Total Channels)

7 Button Control Panel and LCD Menu Display

RDM (Remote Device Management)

3pin/5pin DMX and Locking Power Cable In/Out

With Wired Digital Communication Network

SIZE / WEIGHT

Length: 16.3" (414mm)

Width: 11.6" (294mm)

Vertical Height: 22.7" (578mm)

Weight: 45 lbs. (20.4 kg)

ELECTRICAL / THERMAL

AC 110-240V - 50/60Hz

399W Max Power Consumption

Multiple Unit Power Linking

5°F to 113°F (-15°C to 45°C)

BTU/hr (+/- 10%) 1360.59

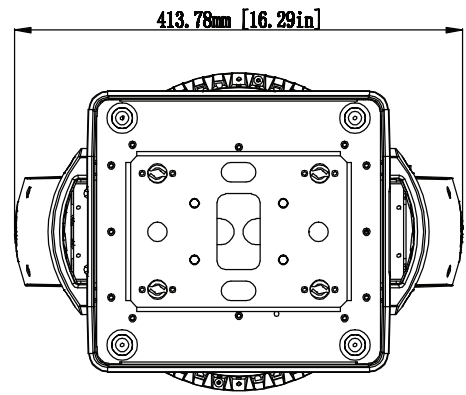
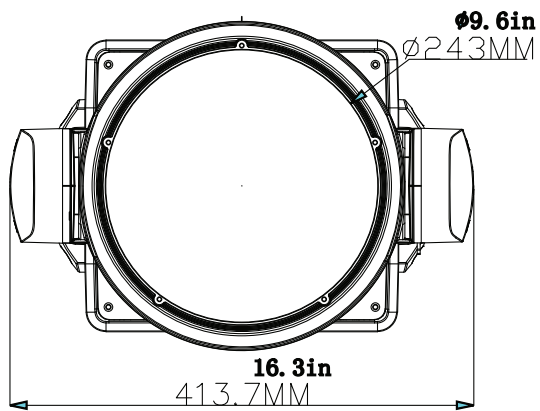
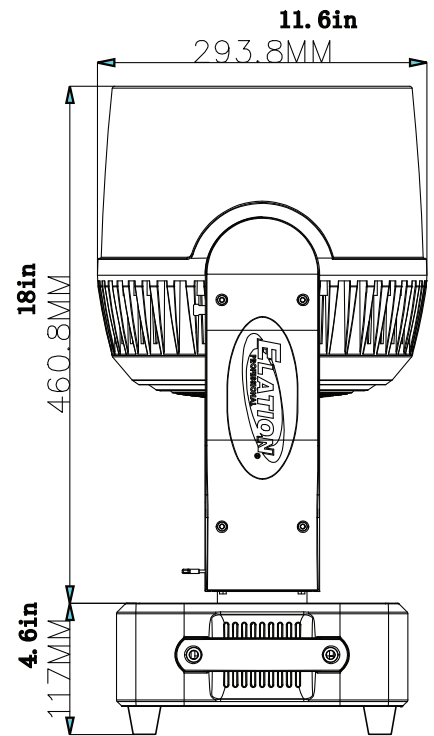
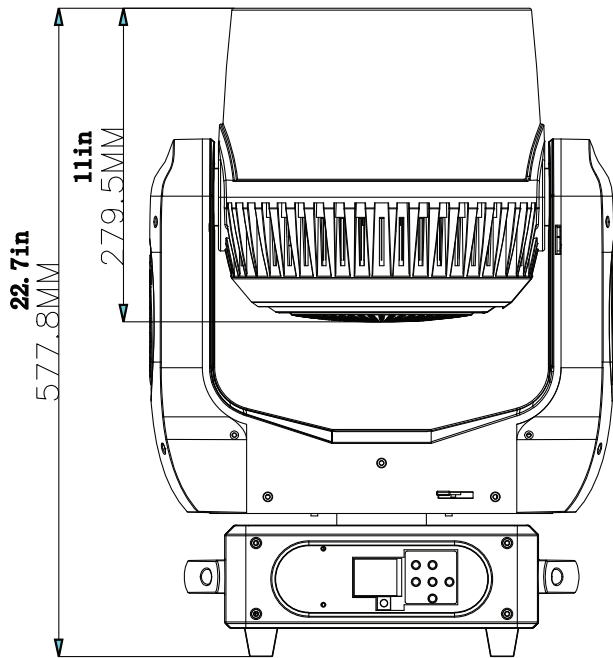
APPROVALS / RATINGS

CE | cETLus | IP30



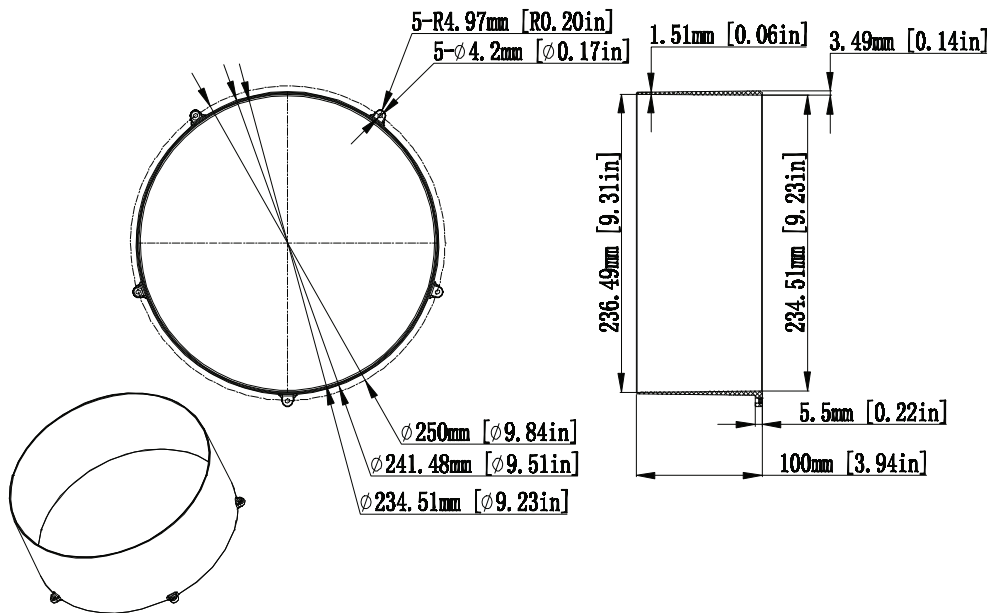
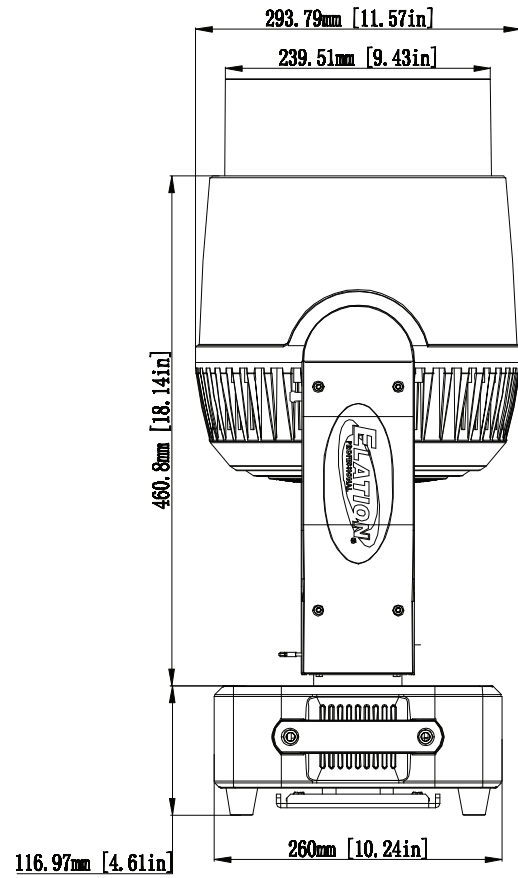
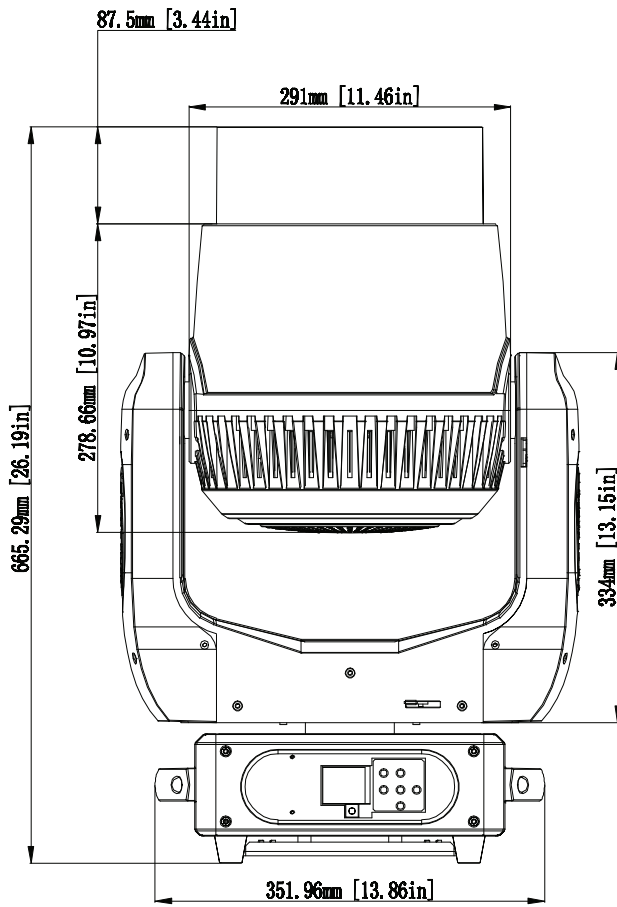
Please note: Specifications and improvements in the design of this unit and this manual are subject to change without notice.

DIMENSIONAL DRAWINGS



DIMENSIONAL DRAWINGS

OPTIONAL SNOOT INSTALLED



OPTIONAL ACCESSORIES

ORDER CODE	ITEM
FW350SNOOT	Fuze Wash Z350 Snoot
TRIGGER CLAMP	Heavy Duty Wrap Around Hook Style Clamp
DRC350FUZE	Fuze Wash Z350 Quad Road Case
AC3PDMX5PRO	5 ft (1.5m) 3pin DMX Cable*
AC5PDMX5PRO	5 ft (1.5m) 5pin DMX Cable*
PLC3	3 ft (1m) Link Cable*

*additional cable lengths available

FCC STATEMENT

This device complies with Part 15 of the FCC Rules. Operation is subject to the following two conditions: (1) this device may not cause harmful interference, and (2) this device must accept any interference received, including interference that may cause undesired operation.

FCC RADIO FREQUENCY INTERFERENCE WARNINGS & INSTRUCTIONS

This product has been tested and found to comply with the limits as per Part 15 of the FCC Rules. These limits are designed to provide reasonable protection against harmful interference in a residential installation. This device uses and can radiate radio frequency energy and, if not installed and used in accordance with the included instructions, may cause harmful interference to radio communications. However, there is no guarantee that interference will not occur in a particular installation. If this device does cause harmful interference to radio or television reception, which can be determined by turning the device off and on, the user is encouraged to try to correct the interference by one or more of the following methods:

- Reorient or relocate the device.
- Increase the separation between the device and the receiver.
- Connect the device and the radio receiver to electrical outlets on a different circuits.
- Consult the dealer or an experienced radio/TV technician for help.



Europe Energy Saving Notice

Energy Saving Matters (EuP 2009/125/EC)

Saving electric energy is a key to help protecting the environment. Please turn off all electrical products when they are not in use. To avoid power consumption in idle mode, disconnect all electrical equipment from power when not in use. Thank you!

