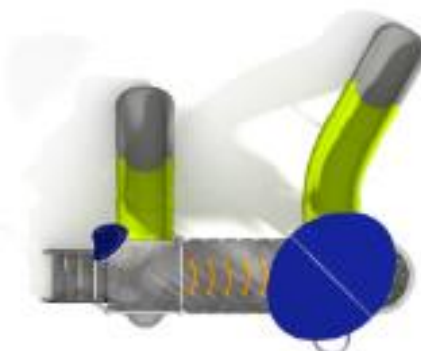




INFORMATION ABOUT THE PRODUCT

Dimensions	580 x 370 cm
Safety zone	735 x 718 cm
Safety zone area	39 m ²
Overall height	362 cm
Free fall height	150 cm
Amount of users	14
Product complies with EN 1176-1:2017-12	YES
Availability of spare parts	YES
Age range	1-8
According to EN 1176-1:2017-12 norm, the product requires applying a safety surface according to the product's free fall height.	



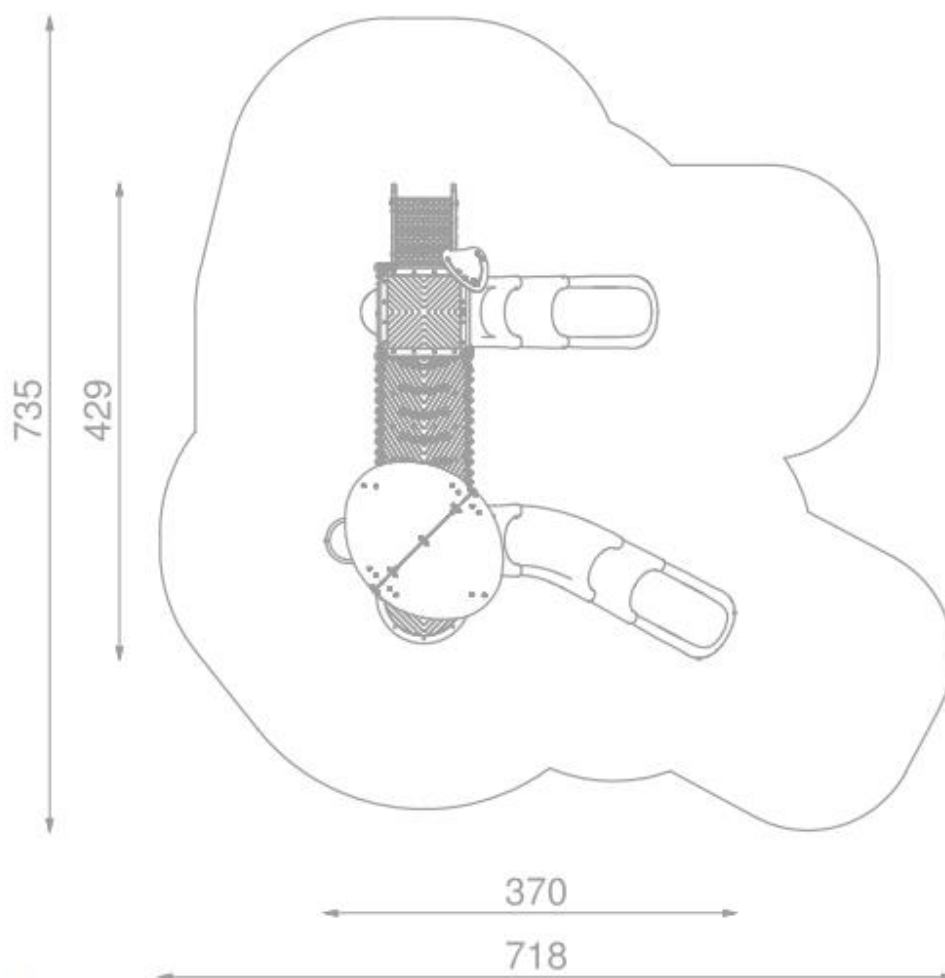
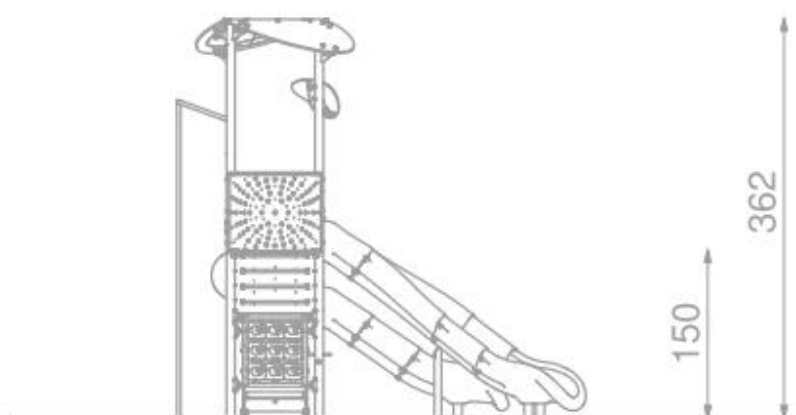


MATERIALS:

CONSTRUCTION ELEMENTS MADE OF STAINLESS AISI 304	PLATES OF THE WALLS MADE OF COLOURFUL TRIPLE LAYERED 15 MM HDPE POLYETHYLENE, IN THE HIGHEST QUALITY	ANTI-SLIP BLUE 13 MM HPL PLATFORM PLATE SERIES: ACTIV	HEMISPHERIC WINDOW WITH A DIAMETER OF 400 MM, MADE OF HEAT-FORMED POLYCARBONATE 5 MM	THE TIC TAC TOE GAME IS MADE OF POLYETHYLENE ROTATIONALLY MOLDED WITH SYMBOLS ON THE FORM	POST ENDINGS FINISHED WITH SOFT EPDM RUBBER
PLATES OF THE WALLS AND PLATFORMS MADE OF COLOURFUL 13 MM HPL IN THE HIGHEST QUALITY	SLIDES MADE OF STAINLESS STEEL AISI 304, SIDE PANELS MADE OF HDPE POLYETHYLENE	PLATE AND ROPE CONNECTORS MADE OF INJECTION MOLDED POLYAMIDE	TUBE MADE OF LDPE POLYETHYLENE ROTATIONALLY MOLDED WITH THE INNER DIAMETER OF 53.3 CM AND THE LENGTH OF 125 CM	CLIMBING ROCKS MADE OF CHIPPINGS AND COLOURFUL POLYESTER RESIN	SOLID CONSTRUCTION MADE BLACK STEEL S235JR CLEANED IN THE SANDBLASTING PROCESS



Dimension	Safety zone dimension	Overall height	Free fall height	The product complies with EN 1176-1: 2017	Age range
580 x 370 cm	735 x 718 cm (39 m ²)	362 cm	150 cm	Yes	1-8



SCALE 1:100

Dimension	Safety zone dimension	Overall height	Free fall height	The product complies with EN 1176-1: 2017	Age range
580 x 370 cm	735 x 718 cm (39 m ²)	362 cm	150 cm	Yes	1-8