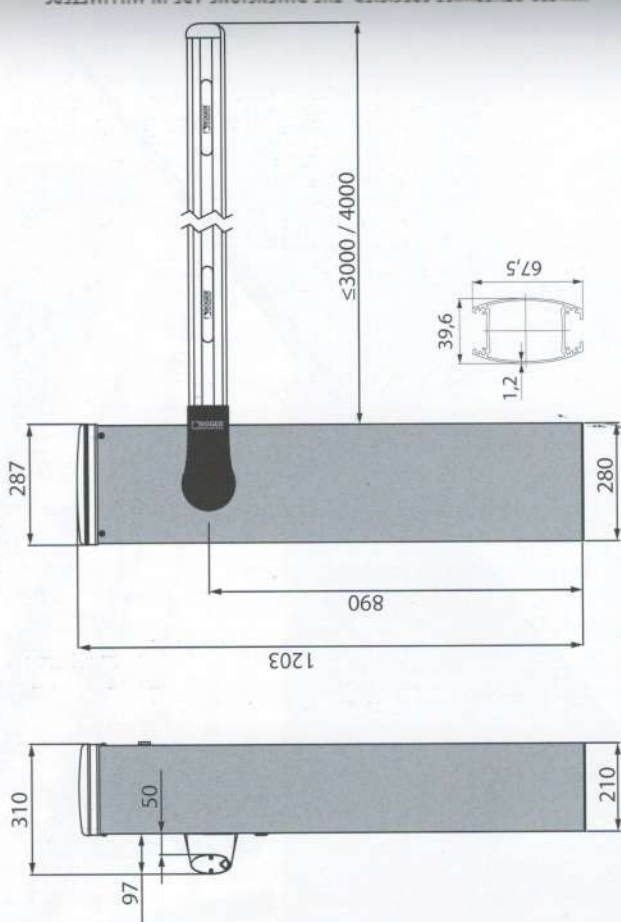
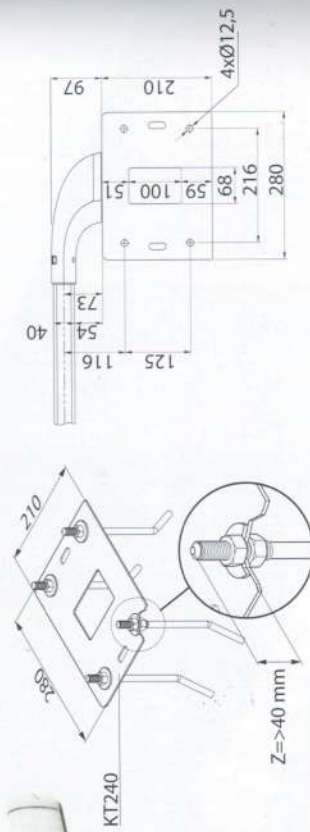
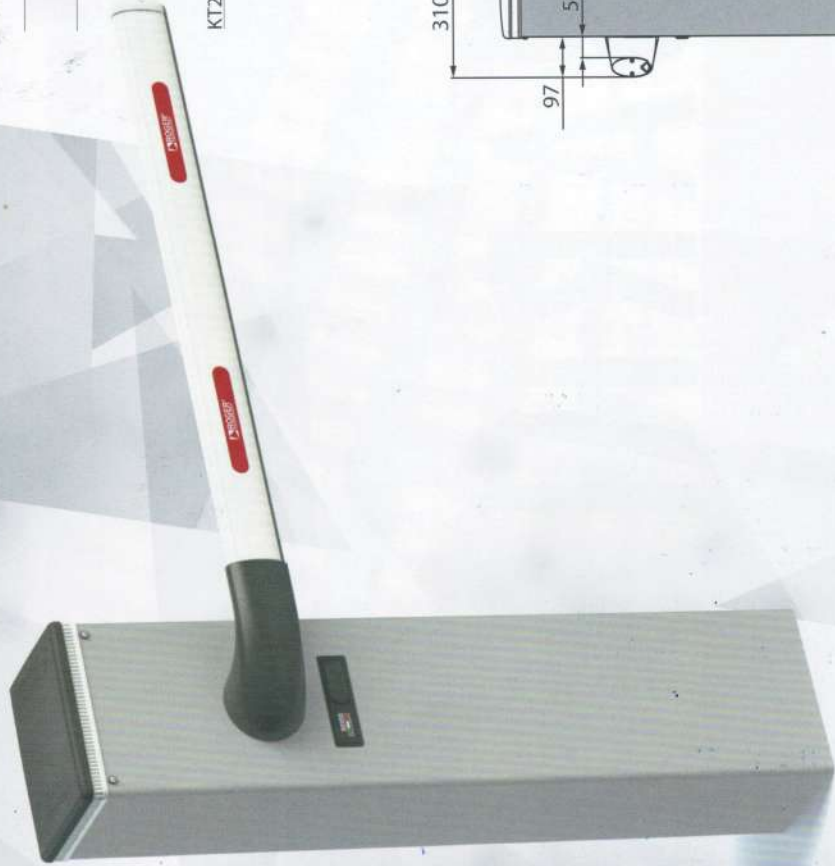


Roger Technology automatic barriers represent the ideal solution for all automations used in residential, condominium, commercial and industrial car parks. Highly successful, the barriers for motorway car parks, are fast and integrated with **Vehicle Priority Systems**. The BIONIK series is dedicated for openings with boom arms from 3 m to 4 m in length.

DIMENSIONS & INSTALLATION



UNLESS OTHERWISE SPECIFIED, THE DIMENSIONS ARE IN MILLIMETERS

SERIES BIONIK 4





PRODUCT CODE DESCRIPTION

NUMBER ITEMS PER PALLET

BI/004 - BI/004/115

36V DC BIONIK BRUSHLESS barrier for 3 or 4 metre booms, with control unit and on-board native encoder, complete with a fastening base with tie rods and screws and boom fastening flanges.

8



FEATURES

MODEL	BI/004 - BI/004/115
Barriers	Up to 4 mt long
Power line supply	230V AC / 115V AC - 50 Hz
Motor power supply	36V DC
Electrical absorption	0-15A
Power rating	220W
Frequency of use	Continue use
Torque	0 - 200 N m
Operating temperature	-20 + 55 C°
Protection level	IP54
Reductor Type	Irreversible
Opening time at 90°	2-6 sec (up to 3 m) - 3-6 sec (up to 4 m)
Onboard control unit	CTRL Digital Controller 36V DC
Encoder	Digital native encoder + magnetic digital SENSORED, 4096 PPR
Accessories power supply	24V DC
Release system	STANDARD Key cylinder
Batteries recovery	Available (optional)
BUS synchronization Master/Slave	Yes
Operating cycles per day (opening/closing - 24 hours no stop)	5000 cycles
Maximum dimension product in mm (L x W x H)	287 x 310 x 1203
Product weight packed (Kg)	47,5



BRUSHLESS MOTOR



INTENSIVE USE



REVERSIBLE REDUCTOR



HIGH SPEED MOTOR



RESIDENTIAL USE



COMMERCIAL USE



INDUSTRIAL USE



PARKING