



PCR-Cooler

Instructions for use

Copyright © 2015 Eppendorf AG, Germany. All rights reserved, including graphics and images. No part of this publication may be reproduced without the prior permission of the copyright owner.

Eppendorf® and the Eppendorf logo are registered trademarks of Eppendorf AG, Germany.

Registered trademarks and protected trademarks are not marked in all cases with ® or ™ in this manual.

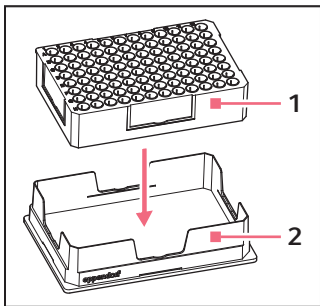
U.S. Patent No. 6,616,897

1 Intended use

The PCR Cooler is intended exclusively for indoor use and to cool samples during PCR preparation. Use only Eppendorf accessories or accessories recommended by Eppendorf.

The PCR Cooler must only be operated by appropriately qualified and trained specialist personnel. Carefully read the operating manual before working with the PCR cooler and familiarize yourself with its use.

2 Product description



- 1 PCR-Cooler
- 2 Holder

The PCR-Cooler is a cool pack which is used for efficient cooling of all standard PCR tubes and plates.

The PCR-Cooler can be used with:

- single 0.2 mL and 0.5 mL tubes
- 0.2 mL strips
- 96-well PCR plates.

3 Operation



NOTICE! Damage to the PCR-Cooler caused by centrifugation.

The PCR-Cooler is only designed to cool samples during PCR preparation. Centrifugation forces may result in damage to the PCR-Cooler.

- ▶ Do not centrifuge the PCR-Cooler. Use a refrigerated centrifuge to centrifuge samples.

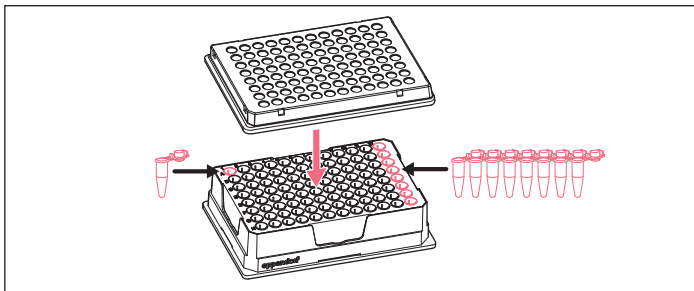


NOTICE! Damage of the PCR-Cooler from sharp edges.

Sharp edged components can damage the film on the underside of the PCR-Cooler.

- ▶ Do not use sharp edged components on the PCR-Cooler.

1. Before use, place the PCR-Cooler in a freezer at -20°C for at least 2 hours. Position the PCR-Cooler so that its bottom side is facing upwards.
2. Allow the PCR-Cooler to stand on the lab bench for approx. 10 minutes.



3. Insert the tubes or the plate.

The tubes or the plate will not freeze. By changing color from violet to pink or from dark blue to light blue, the PCR-Cooler shows when the upper temperature value of 7 °C has been exceeded. It is also possible to read the temperature of single tubes by the color of the single bore holes.

Temperature [°C]

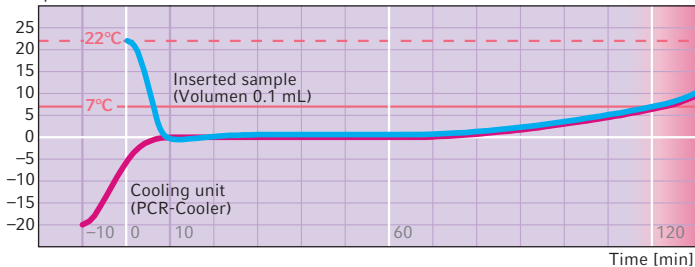


Fig. 1: Thermal behavior of a precooled PCR-Cooler and a sample inserted at room temperature

4. The PCR-Cooler can be labeled individually using the cards supplied. These cards are inserted into the slots on the sides of the PCR-Cooler.

4 Maintenance

4.1 Cleaning

Clean the PCR-Cooler and holder immediately if sample fluid enters the bore holes or comes into contact with the surface.

1. Remove the PCR-Cooler from the holder.
2. Clean with a mild soap solution.
3. Rinse thoroughly with distilled water.

4.2 Disinfection/decontamination



WARNING! Risk to health from contaminated accessories.

1. Follow the instructions in the decontamination certificate. You can find it as a PDF file on our website (www.eppendorf.com/decontamination).
2. Decontaminate all the parts you want to dispatch.
3. Include the fully completed decontamination certificate for returned goods in the package.

-
- Select a disinfection method complying with the statutory rules and regulations for your area of application. Use e.g. alcohol (ethanol, isopropanol) or alcohol-containing disinfectants.

5 Ordering information

Order no. (International)	Order no. (North America)	Description
3881 000.015	022510509	PCR-Cooler Starter Set (1 × pink, 1 × blue)
3881 000.023	022510541	pink
3881 000.031	022510525	blue
0030 124.332	951010006	PCR Tubes 0,2 mL PCR clean, colorless 1,000 pieces
0030 128.575	951020303	twin.tec PCR Plate 96, semi-skirted colorless, 25 pieces
0030 128.648	951020401	twin.tec PCR Plate 96, skirted colorless, 25 pieces
0030 133.307	0030133307	twin.tec PCR Plate 96 unskirted colorless, 20 pieces

Evaluate Your Manual

Give us your feedback.

www.eppendorf.com/manualfeedback

Your local distributor: www.eppendorf.com/contact

Eppendorf AG · 22331 Hamburg · Germany

eppendorf@eppendorf.com · www.eppendorf.com