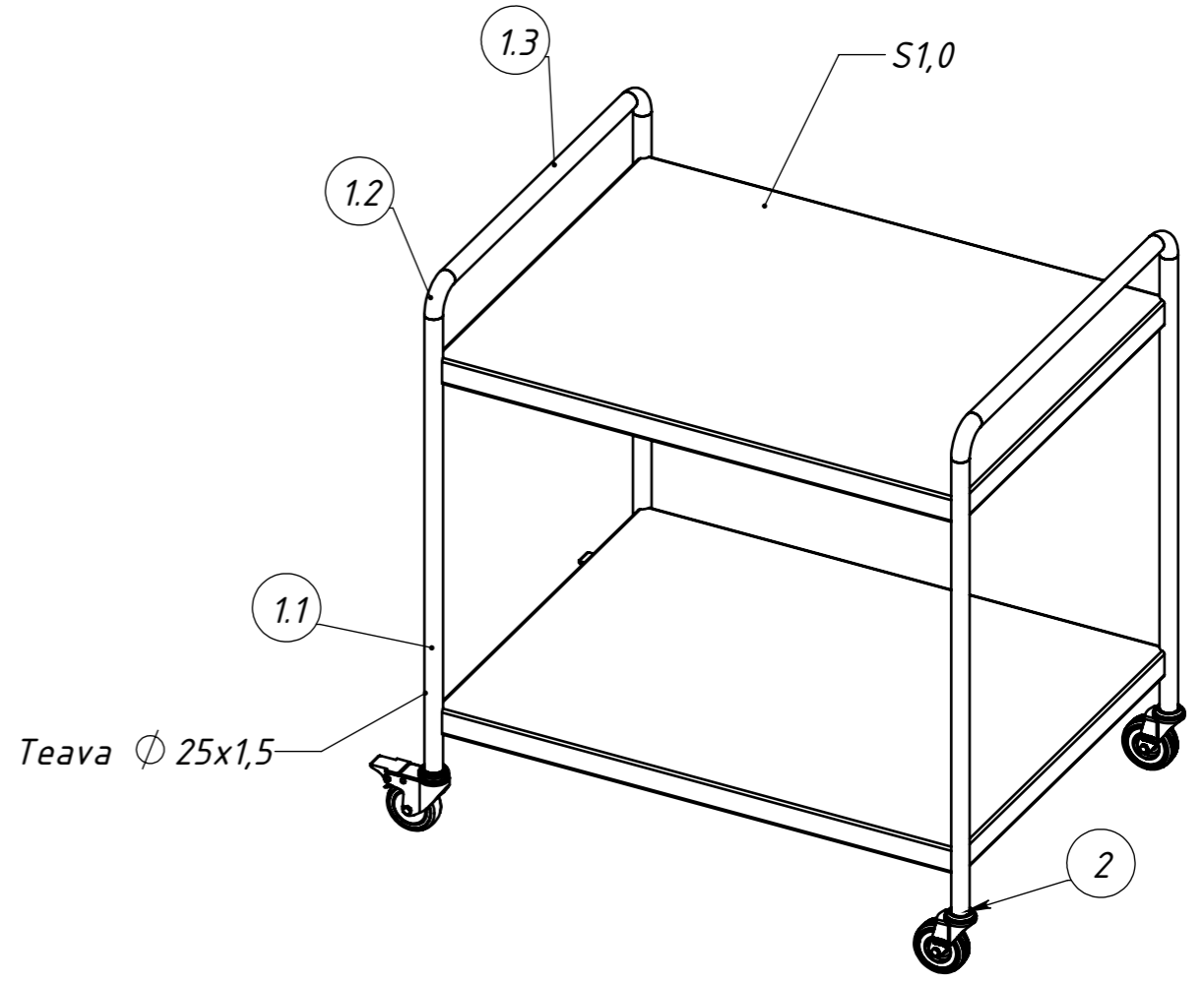
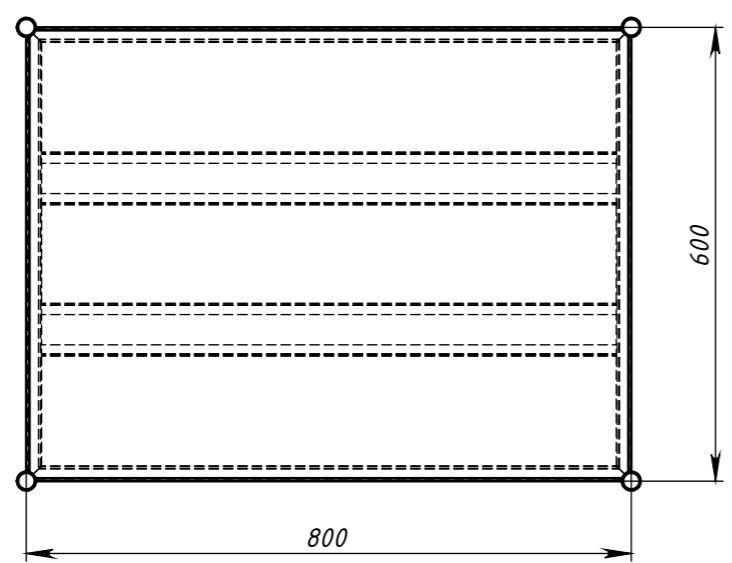


A-A



ITEM NO.	PART NUMBER	DESCRIPTION	ДЛИНА	QTY.
1	Carcasa 650			2
1.1		Teava Ø 25x1,5	711	2
1.2		Cot Ø 25x1,5	90°	2
1.3		Teava Ø 25x1,5	524	1
2	Piulita	M10		4
3	Roata 75 fr			2
4	Roata 75			2
5	Polita 800x600	S1,0		2
6	Ranfort 760	S0,8		4

<b>No</b>	
Client	-
Inginer	Pleşivţev Artiom
Termen ex.	...2024

Carucior 800x600x750 cu 2 nivele

