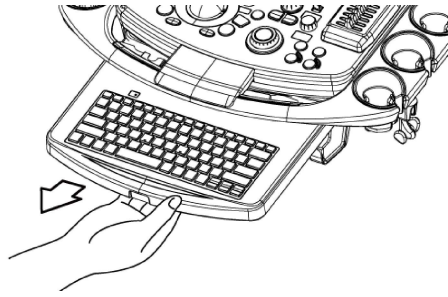


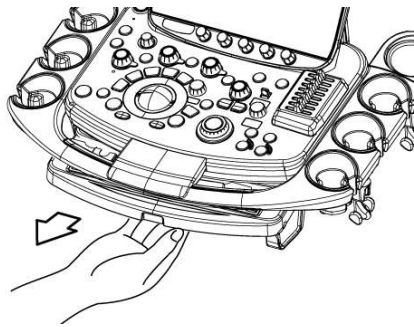
2. Pull the keyboard out to the desired position.



(2) If the keyboard has been temporarily stored

Procedure

1. Pull the keyboard out to the desired position.

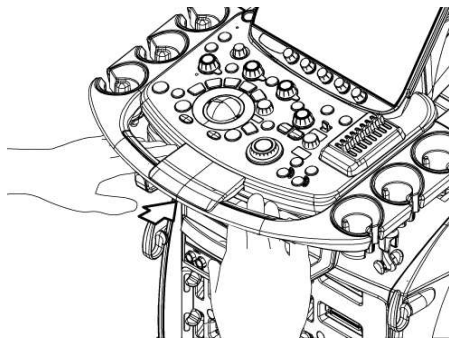


3.11.2 Storing the alphanumeric keyboard

(1) To completely store the keyboard

Procedure

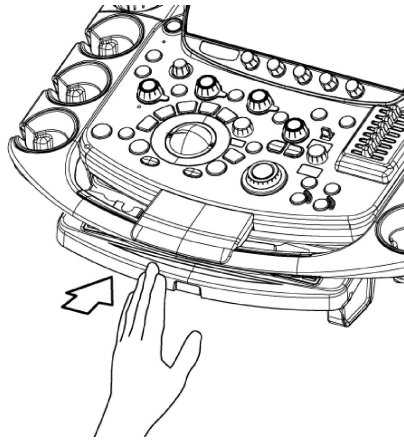
1. Push in the Keyboard Tray until it clicks.



(2) To temporarily store the keyboard

Procedure


1. Gently push in the keyboard tray with your fingers until it approaches the operation panel handle.

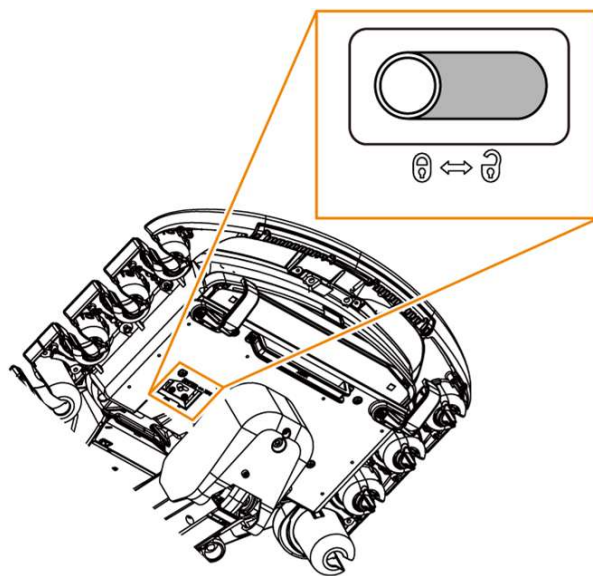


→ The alphanumeric keyboard is now stored.

3.11.3 Securing the alphanumeric keyboard

Procedure

1. Slide the lock lever on the rear of the operation panel in the  direction.



The figure shows the keyboard in a locked state.

3.12 Security box

The Security box is an optional part.

You can store an external HDD in the Security box and use the HDD to back up the saved images.

NOTE: Keep the key supplied with the Security box in a safe place. If you lose the key, our service staff can change the key for a fee.



CAUTION
