

IV

Positioning aids & surgical field assistance

UPPER LIMBS	78	>
LOWER LIMBS	81	>
HEAD	88	>
THORAX & ABDOMEN	90	>
SURGICAL FIELDS ACCESSORIES	94	>
PATIENT WARMING SYSTEM	98	>
OPERATING ROOM EQUIPMENT	99	>
ACCESSORIES FOR NEUROSURGERY DORO®	101	>
ORTHOPEDIC ATTACHMENTS	102	>
ASURGICAL FIELD ACCESSORIES EasyPRO	108	>
ALVO SENSEi	111	>
ALVO Transpa	112	>

Positioning aids & surgical field assistance

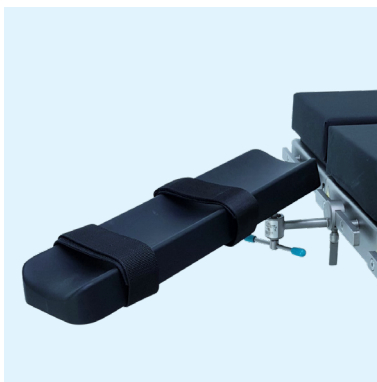
UPPER LIMBS



Arm support
4-09-011

Main features:

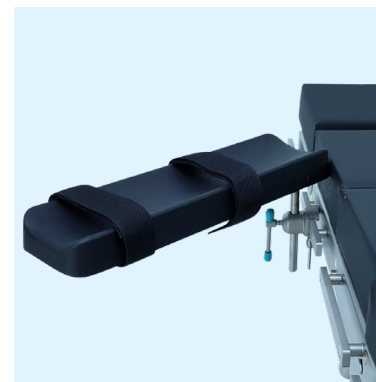
- + it is used to support the patient's hand both in a lying and sitting position
- + the design allows the support to be rotated around the vertical axis, the mattress to be angled, and the distance and height of the support to the tabletop to be changed
- + equipped with a mattress with dimensions of 500 x 140 mm, available in two thicknesses: 50 mm, 80 mm and two velcro belts
- + required multi-position handle 4-09-060



Arm support
4-09-011 v2

Main features:

- + it is used to support the patient's hand in a lying position
- + the design enables angular positioning of the mattress horizontally and vertically
- + equipped with a mattress with dimensions of 500 x 140 mm, available in two thicknesses: 50 mm, 80 mm and two velcro belts and integrated mounting bracket



Arm support
4-09-012

Main features:

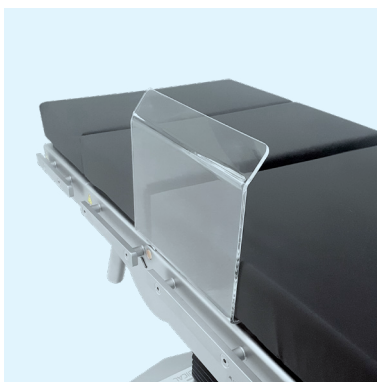
- + it is used to support the patient's hand in a lying position
- + the design allows the support to rotate around the vertical axis
- + equipped with a mattress with dimensions of 500 x 140 mm, available in two thicknesses: 50 mm, 80 mm and two velcro belts
- + one-position handle required 4-09-061



Wrist strap
4-09-023

Main features:

- + it is used to immobilize the hand at the level of the wrist
- + equipped with an integrated mounting bracket
- + belt dimensions: 370 x 100 mm



Toboggan arm guard
4-09-027

Main features:

- + it is used to cover the hand and protect against upper limb nerve damage
- + can be inserted under the mattress
- + dimensions: 250 x 210 mm



Arm surgery support
4-09-035-v4

Main features:

- + it is used to perform hand surgery
- + made of material transparent to X-rays
- + equipped with a mattress with dimensions of 800 x 400 mm, thickness: 80 mm and a telescopic stabilizing foot that allows you to change the height of the operating table
- + the design allows two surgeons to work simultaneously
- + equipped with an integrated mounting bracket



Positioning aids & surgical field assistance

▶ UPPER LIMBS



Arm surgery support, hourglass
800-0026-HG-P

Main features:

- + is used to perform hand surgery
- + made of material transparent to X-rays
- + equipped with a mattress and a stabilizing foot
- + the hourglass-shaped top design allows two surgeons to work simultaneously
- + two handles 800-0085 or 4-09-061 are required



Carbon fiber arm support
4-09-026

Main features:

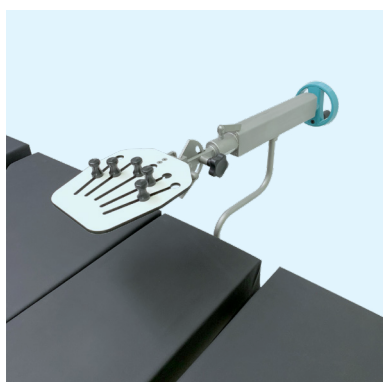
- + it is used to support the patient's hand in a lying position
- + can be inserted under the mattress
- + transparent to X-rays
- + dimensions: 675 x 140 x 5 mm



XPS arthroscopic system
800-0280-EU

Main features:

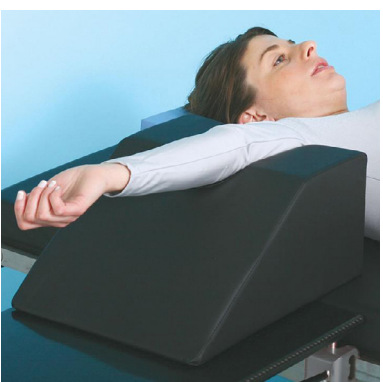
- + portable arm positioner for intra-operative adjustment in beach chair or lateral position
- + available with accessories for elbow, wrist, knee or ankle surgery
- + single release lever releases all joints – locking in place when released
- + no need to have the surgical aid hold the patient's limb during the open or arthroscopic limb procedure



Weinberger hand traction device
4-09-034-v2
Side roll support
4-09-018

Main features:

- + it is used for operating the patient's forearm in a lying and sitting position
- + equipped with a tensioning device and finger clamps
- + the structure enables the operation of the hand placed in the transverse or longitudinal position of the tabletop
- + one-position handle required 4-09-061
- + 4-09-018 side roller or a 4-09-017 cross shaft may be useful



Extremity prep'n'drep positioner
508-0353

Main features:

- + sit is used for the anesthesiologic preparation of the patient
- + made in ultrasonic welding technology
- + dimensions: 410 x 300 x 180 mm



Elbow arthroscopy support
800-0168

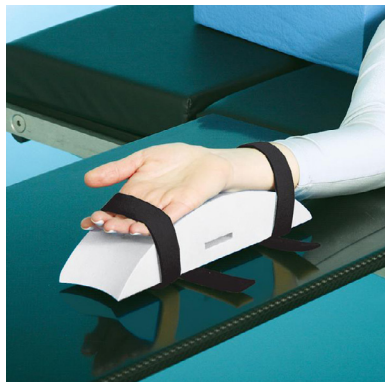
Main features:

- + it is used to safely support the hand during preparation and surgical procedures
- + equipped with a soft, removable mattress
- + handle 800-0134-EU or 4-09-060 is required



Positioning aids & surgical field assistance

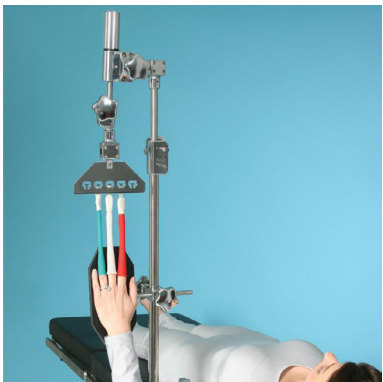
UPPER LIMBS



A-Line Insertion positioner
800-0143

Main features:

- + it is used to safely support the hand during arterial puncture
- + equipped with two fastening straps



Sokolovski tower
800-0135

Main features:

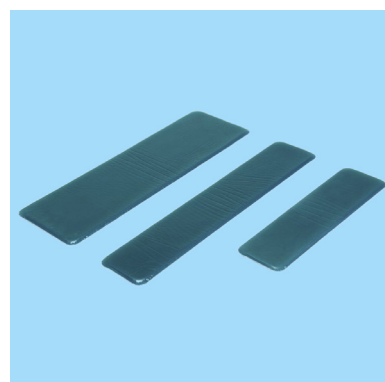
- + it is used to perform arthroscopic procedures of the hand and wrist
- + the design enables intraoperative positioning of the hand in a sterile field
- + fully autoclavable design
- + handle 800-0271 is required



Arm protector
AZ201

Main features:

- + provides protection against damage to the patient's nerves in the supination, pronation and lateral position
- + adjustable to the shape of the patient's hand
- + available versions for children AZ200 and adults AZ201



Armboard pad
0A072

Main features:

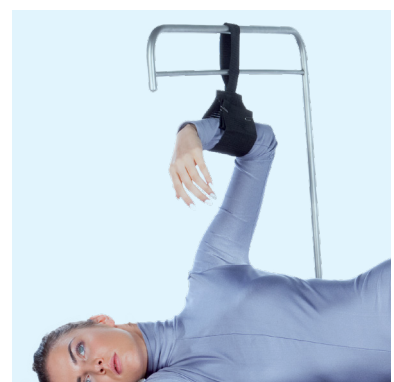
- + provides protection against damage to the patient's nerves in the supination, pronation and lateral position
- + placed on the armrest
- + dimensions: 600 x 125 x 10 mm
- + available in other dimensions



Ulnar/brachial nerve protector
0A061

Main features:

- + provides protection for the ulnar and brachial nerves
- + the form of the band enables quick and easy application
- + dimensions: 460 x 210 x 8 mm
- + available in other dimensions



Arm strap for anesthetic frame
4-09-024

Main features:

- + it is used to support the patient's hand in the supination position and lateral position
- + mounted to the anesthesia screen
- + belt dimensions: 400 x 100 mm



Positioning aids & surgical field assistance

➤ LOWER LIMBS



Platinum surgical stirrups
800-0342-PL

- Main features:**
- + they are used to support the patient's lower limbs in the lithotomic position
 - + equipped with reusable soft inserts
 - + the design enables three-axis adjustment with one lever in the following ranges: up 80° / down -30°, adduction -9° / abduction 25°, internal rotation of the shoe takes place in the range of 20° using the handle
 - + the set consists of left and right stirrups
 - + max. patient weight 272 kg
 - + two handles 800-0338-EU required



Premium surgical stirrups
800-0342-PR

- Main features:**
- + they are used to support the patient's lower limbs in the lithotomic position
 - + equipped with reusable soft inserts
 - + the design enables three-axis adjustment with one lever in the following ranges: up 80° / down -30°, adduction -9° / abduction 25°, internal rotation of the shoe takes place in the range of 20° using the handle
 - + the set consists of left and right stirrups
 - + max. patient weight 181 kg
 - + two handles 800-0338-EU are required



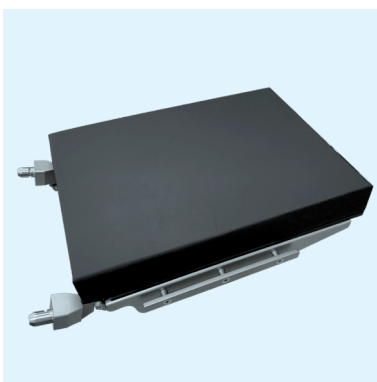
Basic surgical stirrups
800-0049

- Main features:**
- + they are used to support the patient's lower limbs in the lithotomic position
 - + equipped with reusable soft inserts
 - + the set consists of left and right stirrups
 - + max. patient weight 159 kg
 - + two handles 800-0006-EU required



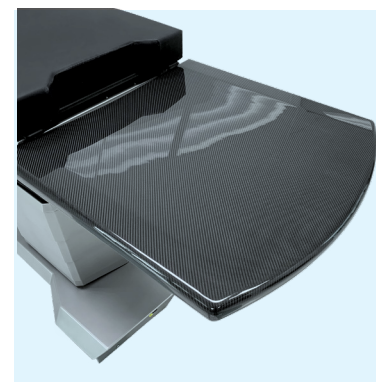
Multipurpose sectional leg support
4-09-066

- Main features:**
- + it is used to support the patient's legs both in a lying and sitting position
 - + the kit consists of a left and right split footrest
 - + equipped with seamless mattresses with shape memory, dimensions: 240 x 250 mm and 450 x 250 mm, thickness: 80 mm
 - + the design allows abduction and angular adjustment in the range +85°/-90°



Single piece leg support
4-09-067-v2

- Main features:**
- + it is used to support the patient's legs both in a lying and sitting position
 - + equipped with mattresses with dimensions 745 x 500 mm, thickness: 80 mm
 - + the design allows angular adjustment in the range -90°/+20°



Carbon fiber leg support
4-09-075
L: 0,6m
4-09-076
L: 1 m

- Main features:**
- + it is used to support the patient's legs both in a lying and sitting position
 - + translucent to X-rays
 - + translucency parameter: 0.35 mmAl eq
 - + available in two lengths: 0.6 m and 1 m with a width of 600 mm



Positioning aids & surgical field assistance

➤ LOWER LIMBS



Goepel knee support
4-09-010

Main features:

- + it is used to support the patient's leg in the lithotomic position
- + the structure allows the support to be rotated around the vertical axis, the mattress surface to be angularly adjusted, and the height to be changed from the tabletop
- + equipped with a contoured mattress and velcro belt
- + required multi-position handle 4-09-060



Lithotomy stirrups
4-09-057

Main features:

- + they are used to suspend the patient's legs in the lithotomic position
- + the structure allows rotation around its vertical axis, as well as changing the height from the tabletop
- + required multi-position handle 4-09-060



Divided legs support
4-09-038-v2

Main features:

- + it is used to support the patient's leg in the Trendelenburg position and the reversed Trendelenburg position
- + the set consists of two supports equipped with a mattress with dimensions of 150 x 245 mm, thickness: 80 mm and an integrated fixing bracket



Leg/thigh strap
4-09-021

Main features:

- + it is used to immobilize the patient's legs
- + equipped with an integrated mounting bracket
- + belt dimensions: 1400 x 100 mm



Bariatric leg strap
4-09-028

Main features:

- + it is used to immobilize the patient's legs
- + belt dimensions: 1620 x 420 mm



Gel extremity strap
0A113

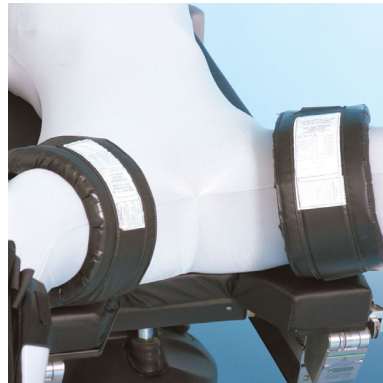
Main features:

- + stabilizes the patient in a lateral position, while protecting tissues and skin from bedsores
- + equipped with a latch for quick fastening and unfastening
- + belt length: 1m
- + gel dimensions: 315 x 45 x 10 mm



Positioning aids & surgical field assistance

▶ LOWER LIMBS



Nissen straps 800-0055

Main features:

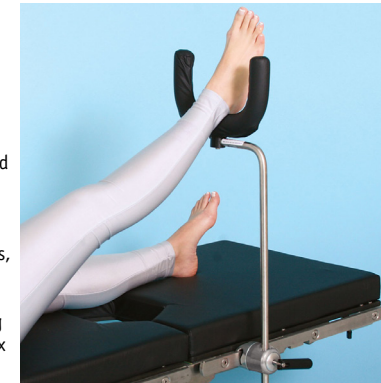
- + are used to support the patient in the deep inverted Trendelenburg position
- + the set consists of two straps, 1220 mm long, padded with a soft mattress, dimensions: 510 x 130 x 30 mm
- + max. patient weight 272 kg
- + two handles 800-0228-EU required



Bariatric Nissen straps 800-0118

Main features:

- + are used to support the patient in the deep inverted Trendelenburg position
- + the set consists of two straps 1830 mm long, padded with a soft mattress, dimensions: 810 x 180 x 30 mm
- + max. patient weight 362 kg
- + two handles 800-0228-EU are required



Leg Prepper 800-0013

Main features:

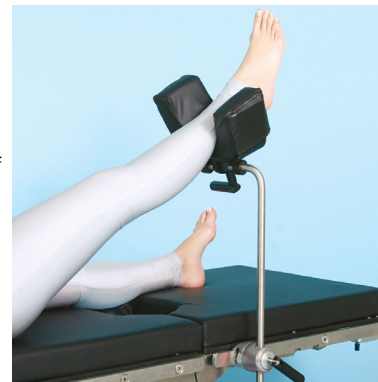
- + it is used to support the patient's leg in the phase of preparation for surgery
- + equipped with a soft, horseshoe-shaped mattress
- + the design allows rotation around the vertical axis and height adjustment
- + handle 800-0134-EU or 4-09-060 are required



Bilateral Leg Prepper 800-0236

Main features:

- + it is used to support the patient's leg in the phase of preparation for surgery
- + equipped with soft, horseshoe-shaped mattresses, 50 mm thick
- + the structure enables rotation around the vertical axis, height adjustment and the offset of one support from the other
- + max. patient weight: 227 kg
- + handle 800-0134-EU or 4-09-060 are required



Universal Prepper 800-0161

Main features:

- + serves to support the patient's leg / arm
- + equipped with a soft, removable, horseshoe-shaped mattress, 50 mm thick
- + the structure enables rotation around the vertical axis, height and angular adjustment
- + handle 800-0134-EU or 4-09-060 are required



Jackknife attachment 4-09-033-v2

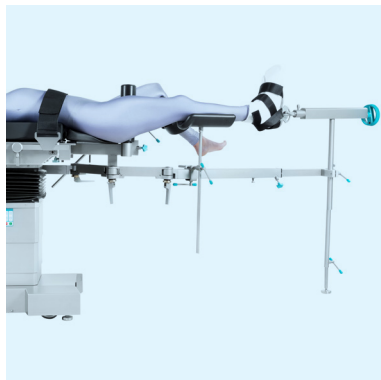
Main features:

- + it is used to place the patient in the Jackknife position
- + the set includes a PU roller, dimensions: $\varnothing 116 \times 500$ mm and a kneeler equipped with a mattress, dimensions: 260 x 500 mm, thickness: 80 mm with integrated fixing handles
- + the design enables the kneeler to be height-adjusted as well as the height and angle of the roller
- + two multi-position handles are required 4-09-060



Positioning aids & surgical field assistance

➤ LOWER LIMBS



Lower limbs traction device

4-09-100-v2

Main features:

- + it is used to operate on lower limb fractures
- + the set includes, among others trapezoidal seat, two tension devices, two tension shoes, two heel holders, supports, thrust roller, plastering roller
- + the design enables the C-arm to work



Tibia nailing device for lower limbs traction device

4-09-110

Main features:

- + it is used for the operation of the knee joint and the nailing of the tibia
- + equipped with a PU roller with dimensions: ø80 x 300 mm
- + it is an additional equipment of the lower limb tensioning system 4-09-100-v2



Lateral position countertraction post for lower limbs traction device

4-09-120-v2

Main features:

- + it is used to support the hip during surgeries and procedures requiring the patient to be placed on their side
- + consists of a horizontal PU roller ø80 mm and two vertical PU rollers ø95 mm
- + the design allows the horizontal shaft to rotate around the vertical axis
- + it is an additional equipment of the lower limb tensioning system 4-09-100-v2

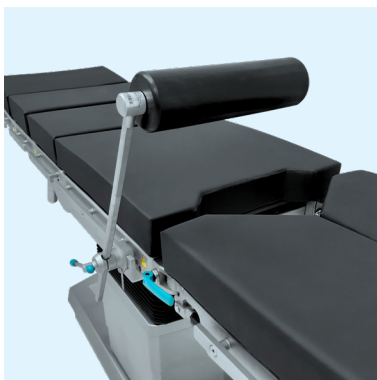


Knee support for lateral position with lower limbs traction device

4-09-121

Main features:

- + serves to support the patient's knee in the lateral position
- + the design allows the support to be rotated around the vertical axis, the mattress surface to be angled, and the height to be changed
- + equipped with a contoured mattress
- + it is an additional equipment of the lower limb tensioning system 4-09-100-v2



Meniscus surgery / Total knee replacement support

4-09-017

Main features:

- + it is used to support the patient's knee joint in the supination position
- + equipped with a PU roller with dimensions: ø80 x 300 mm
- + the design allows for height adjustment and adjustment of the angle of rotation
- + required multi-position handle 4-09-060



Total Knee Replacement support, Lexan

800-0011

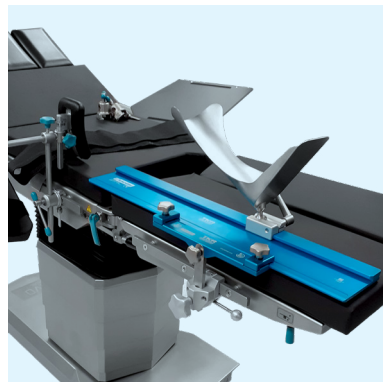
Main features:

- + it is used to support the patient's knee joint in the supination position
- + transparent structure, made of material transparent to X-rays
- + the structure allows rotation around the vertical axis, height and angular adjustment
- + handle 800-0134-EU or 4-09-060 are required



Positioning aids & surgical field assistance

➤ LOWER LIMBS



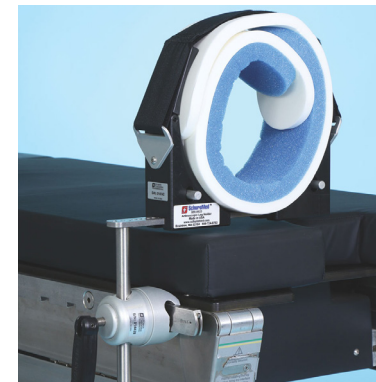
Total Knee Replacement Premium Positioner
800-0141
 with 610 mm L Track System
800-0171
 with 760 mm L Track System

- Main features:**
- + the ball-rail system allows you to position the leg in the appropriate deflection of the knee joint, tilt and rotation of the foot
 - + fully autoclavable design
 - + handle 800-0271-EU is required
 - + available in two lengths: 610 mm and 760 mm



Knee surgery attachment
4-09-030-v2

- Main features:**
- + it is used to support and immobilize the patient's knee joint in the supination position
 - + equipped with a PU roller with dimensions: $\varnothing 95 \times 165$ mm and two profiled PU pressure jaws with distance adjustment
 - + the design allows for height adjustment and adjustment of the angle of inclination
 - + multi-position handle required 4-09-060



Arthroscopic Leg Holder
800-0023

- Main features:**
- + it is used to support and immobilize the leg during knee arthroscopy
 - + the hoops released by the gas spring tighten and fasten the stabilizer in the right place
 - + handle 800-0134-EU or 4-09-060 are required



ACL leg holder
800-0065

- Main features:**
- + it is used to support and immobilize the leg during knee arthroscopy and ACL reconstruction
 - + the structure allows positioning the leg using two independent hoops that freely rotate 360° and open from 80 to 280 mm wide, so you can adjust them to each leg, at any angle
 - + handle 800-0134-EU or 4-09-060 are required



Saphenous Vein Harvesting Pad
508-0385

- Main features:**
- + is used to support the patient's legs in the optimal position for the assessment and retrieval of the saphenous vein during coronary angiography and / or bypass surgery
 - + supports legs gently turned outward, bent during minimally invasive coronary aortic bypass or open saphenous vein retrieval
 - + dimensions: 810 x 520 x 170 mm



Leg protector
AZ400

- Main features:**
- + provides protection against damage to the patient's popliteal nerve in the supination position
 - + adjusts to the shape of the patient's leg
 - + dimensions: 515 x 180 x 40 mm



Positioning aids & surgical field assistance

➤ LOWER LIMBS



**Premium crutch stirrup pads
AZ410**

Main features:

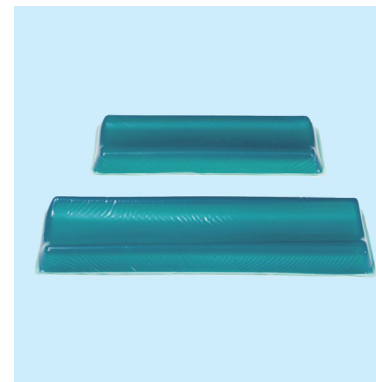
- + provides protection against damage to the nerves and blood vessels of the patient in the supination and lithotomic position
- + designed for use with various types of leg holders
- + dimensions: 370 x 205 x 25 mm



**Lateral leg positioner
EL800**

Main features:

- + is used to position the patient's legs in a lateral position during kidney and hip surgery
- + enables optimal surgical positioning and allows the knee and hip to bend freely
- + dimensions: 650 x 400 x 230 mm



**Knee pad
EL401**

Main features:

- + it is used to protect the patient's knees against abrasions, blisters and bedsores in the pronation position
- + dimensions: 510 x 150 x 40 mm



**Crutch stirrup pads
OA091**

Main features:

- + it is used to protect the patient's calves in the lithotomic position
- + the set consists of two pads
- + dimensions: 395 x 245 x 10 mm
- + available in other dimensional variants



**Heel pads
EL130**

Main features:

- + serves to protect and support the patient's heels
- + support the Achilles tendon and relieve pressure effectively
- + the set consists of two pads
- + dimensions: 180 x 100 x 70 mm



**Heel protector
AZ401**

Main features:

- + serves to protect and support the patient's heels
- + intended for children and adults
- + the set consists of two pads
- + dimensions: 190 x 175 x 30 mm



Positioning aids & surgical field assistance

▶ LOWER LIMBS



Heel and ankle protector

OA200

Main features:

- + it is used to protect the patient's heel and ankle in the supination and lateral position
- + can be used as an ankle and foot protector when using standard lithotomic straps and stirrups
- + the set consists of two pads
- + dimensions: 250 x 120 x 10 mm



Positioning aids & surgical field assistance

➤ HEAD



Width-adjustable headrest
4-09-040-v3

Main features:

- + it is used to support the patient's head in the supination and pronation position
- + -equipped with two contoured PU mattresses with dimensions: 165 x 100 x 30 mm
- + the structure allows you to adjust the height, distance from the tabletop, angular inclination, as well as the distance between the mattresses
- + adapter 4-09-040b-01 is required



Track adjustable headrest flat
4-09-041-v4

Main features:

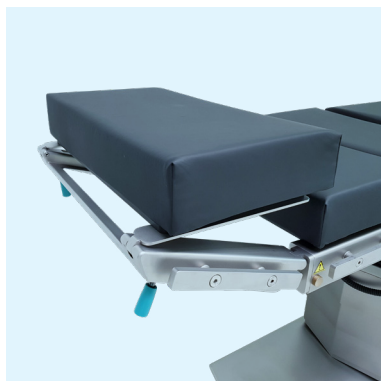
- + it is used to support the patient's head in the supination position
- + equipped with a plate mattress with dimensions of 260 x 500 mm, thickness: 80 mm
- + the structure allows for height adjustment, distance from the tabletop and angular inclination
- + adapter 4-09-040b-01 is required



U-shape headrest
4-09-042-v2

Main features:

- + it is used to support the patient's head in the supination position
- + equipped with a horseshoe-shaped PU mattress with the following dimensions: 225 x 100 x 30 mm
- + the structure allows for height adjustment, distance from the tabletop and angular inclination
- + adapter 4-09-040b-01 is required



Double-articulated headrest
4-09-043-v3

Main features:

- + it is used to support the patient's head in the side position
- + equipped with a mattress with dimensions: 260 x 500 mm, thickness: 80 mm
- + thanks to two gas springs, the design allows you to adjust the angular inclination of the entire headrest and the lifting angle of the mattress



Horseshoe hands support
4-09-044

Main features:

- + serves as a support for the surgeon's hands
- + equipped with a PU horseshoe-shaped mattress with dimensions: 440 x 330 x 60 mm
- + the structure allows for height adjustment, distance from the tabletop and angular inclination
- + two multi-position handles 4-09-060 are required



Head protector
AZ100

Main features:

- + it is used to support the patient's head in the supination, lithotomic and lateral position
- + intended for children and adults
- + dimensions: 260 x 250 x 50 mm



Positioning aids & surgical field assistance

➤ HEAD

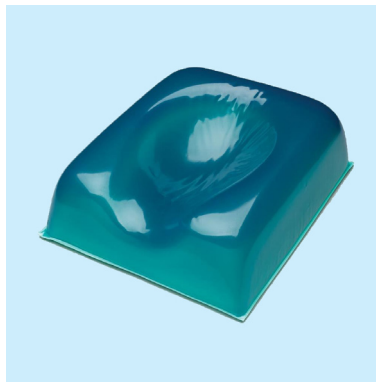


Prone head rest

EL141

Main features:

- + it is used to support the patient's head in the pronation position
- + protects the face and allows the passage of anesthetic lines
- + dimensions: 280 x 240 x 140 mm
- + available in other dimensional variants

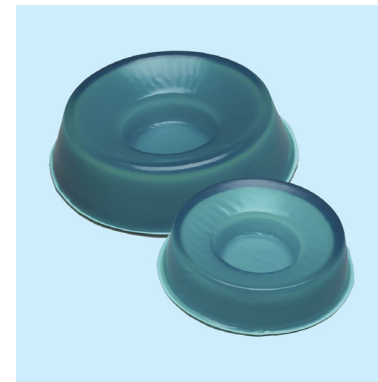


Supine head rest

EL151

Main features:

- + it is used to support the patient's head in the supination position
- + dimensions: 275 x 237 x 90 mm
- + available in other dimensional variants



Closed head ring

EL012

Main features:

- + it is used to support the patient's head in the supination and lithotomic position
- + dimensions: 200 x 50 mm
- + available in other dimensional variants



Open head ring

EL021

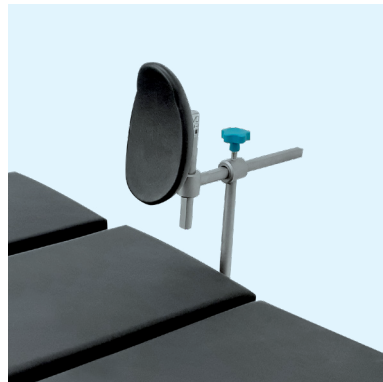
Main features:

- + it is used to support the patient's head in the pronation and lateral position
- + dimensions: 140 x 34 mm
- + available in other dimensional variants



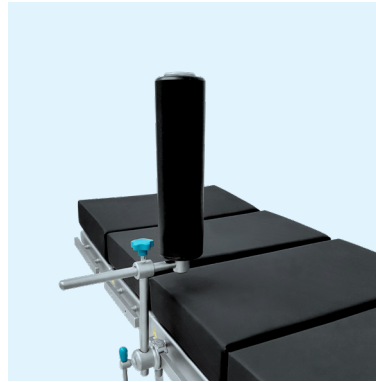
Positioning aids & surgical field assistance

➤ THORAX & ABDOMEN



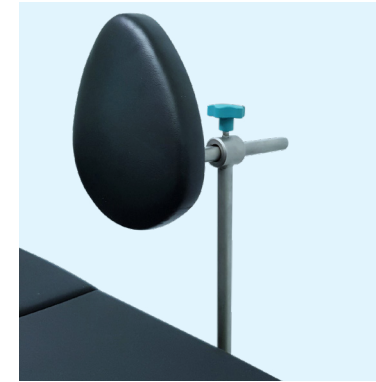
Side-shoulder support
4-09-016-v2

- Main features:**
- + it is used to stabilize the patient in the lateral and supination position
 - + equipped with a profiled PU mattress with dimensions: 165 x 100 x 30 mm
 - + the design allows the support to rotate around the vertical axis, and to adjust the height and distance from the patient
 - + required single-position handle 4-09-061



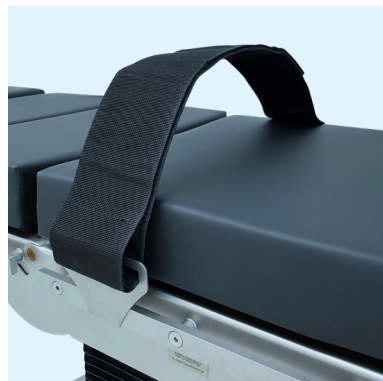
Side roll support
4-09-018

- Main features:**
- + serves to support the patient in a side position
 - + equipped with a PU roller with dimensions: ø80 x 300 mm
 - + the design allows the support to rotate around the vertical axis, and to adjust the height and distance from the patient
 - + required single-position handle 4-09-061



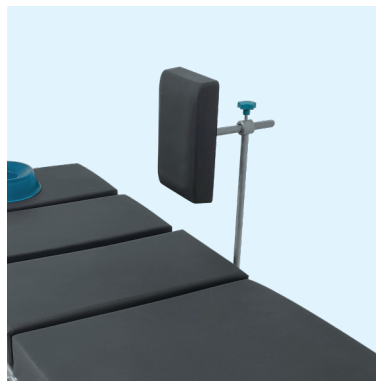
Pubic/chest support
4-09-036

- Main features:**
- + it is used to stabilize the patient in the lateral position at the level of the chest or the pubic symphysis
 - + equipped with an oval PU mattress with dimensions: 165 x 100 x 30 mm
 - + the design allows the support to rotate around the vertical axis, and to adjust the height and distance from the patient
 - + required single-position handle 4-09-061



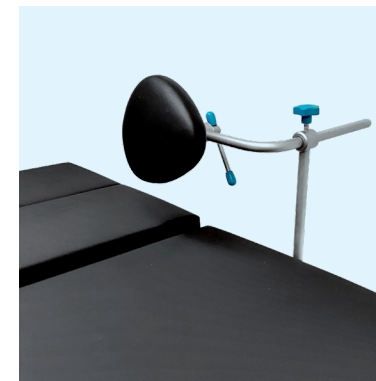
Abdominal strap
4-09-022

- Main features:**
- + it is used to immobilize the patient
 - + equipped with an integrated mounting bracket
 - + belt dimensions: 1350 x 100 mm



Lateral support
4-09-025

- Main features:**
- + it is used to stabilize the patient in the lateral and supination position
 - + equipped with a PU mattress with dimensions: 245 x 150 x 60 mm
 - + the design allows the support to rotate around the vertical axis, and to adjust the height and distance from the patient
 - + required single-position handle 4-09-061



Pubic support
4-09-019

- Main features:**
- + it is used to stabilize the patient in the lateral position at the level of the chest or the pubic symphysis
 - + equipped with an oval PU mattress with dimensions: 165 x 100 x 30 mm
 - + the design allows the support to rotate around the vertical axis, adjust the height and distance from the patient, and angle the mattress
 - + required single-position handle 4-09-061



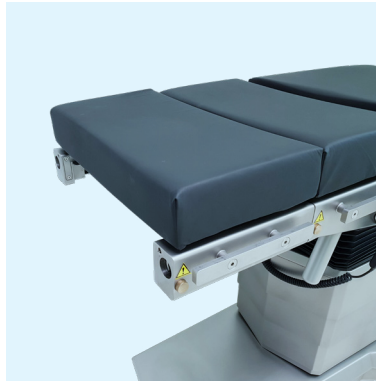
Positioning aids & surgical field assistance

➤ THORAX & ABDOMEN



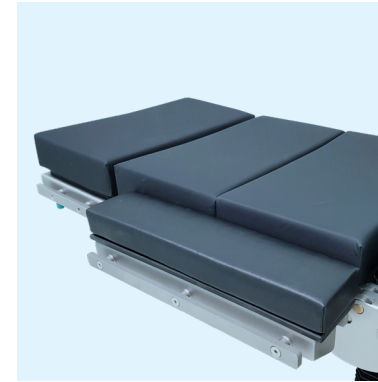
Shoulder surgery attachment
4-09-046-v5
for modular tabletop
4-09-046-v7
for segmental tabletop

- Main features:**
- + it is used to perform surgical operations on both shoulders in the posterior approach
 - + equipped with removable shoulder segments and a helmet with straps for proper stabilization of the head
 - + available in two variants: for modular and segmented tops



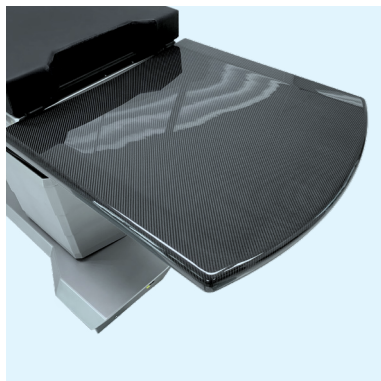
Tabletop extension segment
4-09-047-v2

- Main features:**
- + it is used to extend the tabletop from both the seat and backrest sides
 - + equipped with a mattress with dimensions: 260 x 500 mm, thickness: 80 mm
 - + available with a gynecological excision



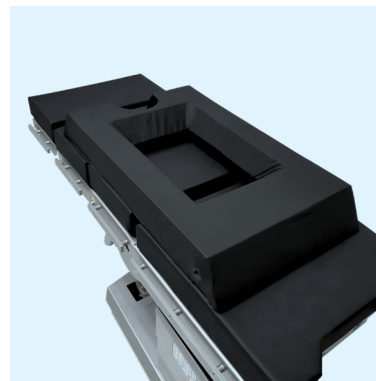
Bariatric extension
4-09-064-v2

- Main features:**
- + it is used to widen the operating tabletop
 - + equipped with seamless mattresses with shape memory, dimensions: 490 x 100 mm, thickness: 80 mm and side rails for attaching accessories
 - + the set consists of two elements



Carbon fiber tabletop extension
4-09-076
L: 1 m
4-09-075
L: 0,6m

- Main features:**
- + serves to support the patient in a lying position
 - + translucent to X-rays
 - + translucency parameter: 0,35 mmAl eq
 - + available in two lengths: 0.6 m and 1 m with a width of 600 mm



Special pad for spine operations
4-09-070

- Main features:**
- + it is used to stabilize the patient in the pronation position
 - + made in ultrasonic welding technology
 - + dimensions: 840 x 460 x 100 mm



Safety gate
4-09-058

- Main features:**
- + it is used to protect the patient against slipping off the operating table
 - + dimensions: ø20 x 990 x 310 mm
 - + two single-position handles are required 4-09-061



Positioning aids & surgical field assistance

➤ THORAX & ABDOMEN



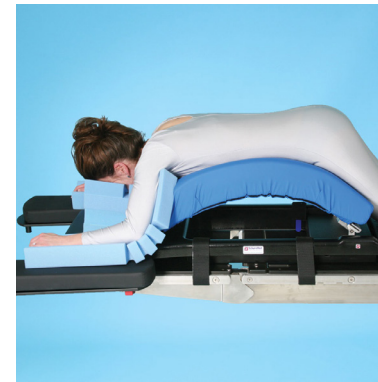
Lateral braces set 800-0042

- Main features:**
- + they are used to stabilize the patient in the side position
 - + the set consists of three supports with soft mattresses
 - + the triaxial structure allows for proper adjustment to the patient in order to obtain complete stabilization of the patient
 - + three handles 800-134-EU or 4-09-060 are required



Lateral positioners set 800-0043

- Main features:**
- + they are used to stabilize the patient in the side position
 - + the set consists of three supports with soft mattresses
 - + three handles 800-134-EU or 4-09-060 are required



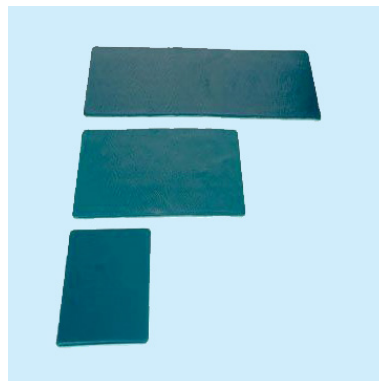
Spine frame 800-0235

- Main features:**
- + it is used to stabilize the patient during spine surgery
 - + the structure enables the adjustment of the frame width and the uplift angle
 - + made of material transparent to X-rays
 - + the set consists of a frame with soft mattresses, a transport trolley and an 800-0277 crank
 - + max. patient weight: 227 kg



Elite shoulder supports 800-0100

- Main features:**
- + are used to stabilize the patient in the Trendelenburg position
 - + the set consists of two supports with soft mattresses
 - + the design enables precise adjustment to the patient
 - + two handles 800-134-EU or 4-09-060 are required



Universal table pad 0A030 (length: 520 mm)

- Main features:**
- + provides protection against bedsores on the patient's body
 - + dimensions: 520 x 520 x 10 mm
 - + available in other dimensional variants



Sacral protector AZ301

- Main features:**
- + provides protection of the sacral spine in the supination and lithotomic position
 - + dimensions: 400 x 380 x 25 mm
 - + available in other dimensional variants



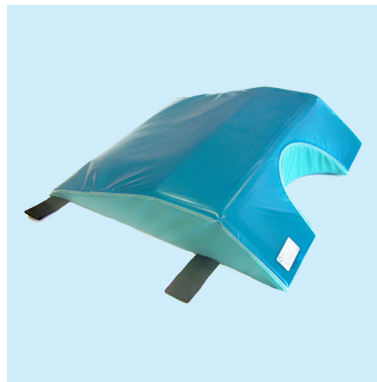
Positioning aids & surgical field assistance

➤ THORAX & ABDOMEN



**Prone positioning system
EL905**

- Main features:**
- + provides protection against the pressure force of the patient in the pronation position and adequate stabilization in the side position
 - + dimensions: 675 x 500 x 100 mm



**Prone positioner
EL903**

- Main features:**
- + provides protection against the pressure force of the patient in the pronation position
 - + dimensions: 610 x 530 x 130 mm



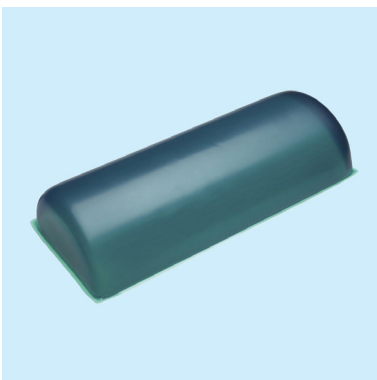
**Large prone positioner
EL904**

- Main features:**
- + provides protection against the pressure force of the patient in the pronation position
 - + facilitates ventilation during long surgical procedures
 - + dimensions: 1125 x 520 x 140 mm



**Lateral positioner
EL900**

- Main features:**
- + provides stabilization and protection of the brachial plexus in the patient's lateral position
 - + enables a safe, easy and quick transition from a lying position to a side position
 - + it has an integrated hand tunnel and a built-in headrest
 - + dimensions: 720 x 500 x 160 mm



**Dome positioner
EL210**

- Main features:**
- + universal gel positioner
 - + dimensions: 350 x 150 x 75 mm



Positioning aids & surgical field assistance

➤ SURGICAL FIELD AIDS



Gynecological bowl
4-09-031-v3

- Main features:**
- + it is used to collect fluids
 - + equipped with a bowl with a capacity of 3.2 l
 - + the design allows rotation around the vertical axis
 - + attached to the table in the footrest segment
 - + available in a version with a bowl with a capacity of 6 l and mounting on the side rails of the table



Urological bowl
4-09-032-v2

- Main features:**
- + it is used to drainage fluids
 - + equipped with a bowl with a capacity of 3.2 l
 - + the design allows rotation around the vertical axis
 - + attached to the table in the footrest segment
 - + available in a version with a bowl with a capacity of 6 l and mounting on the side rails of the table



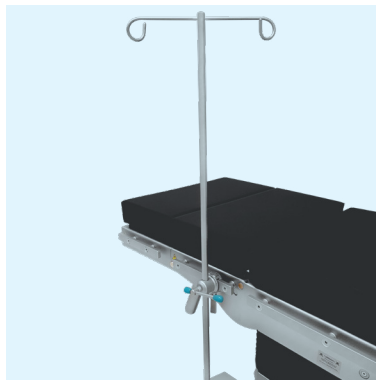
Anesthesia frame
4-09-050

- Main features:**
- + it is used to separate the operating field from the patient
 - + the design allows for height adjustment and rotation around the vertical axis
 - + required single-position handle 4-09-061



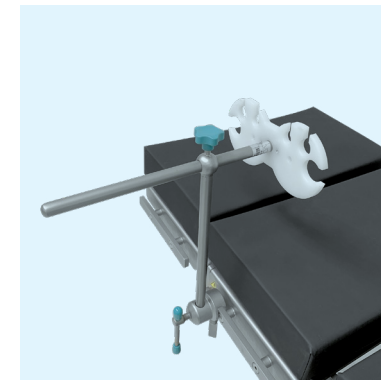
Anesthesia frame - adjustable
4-09-051

- Main features:**
- + it is used to separate the operating field from the patient
 - + the design allows for height and width adjustment and rotation around the vertical axis
 - + required single-position handle 4-09-061



Infusion holder
4-09-052
2 hooks
4-09-052-v2
4 hooks

- Main features:**
- + it is used to suspend containers with infusion fluids
 - + the structure has two or four hooks and allows for height adjustment and rotation around the vertical axis
 - + required single-position handle 4-09-061



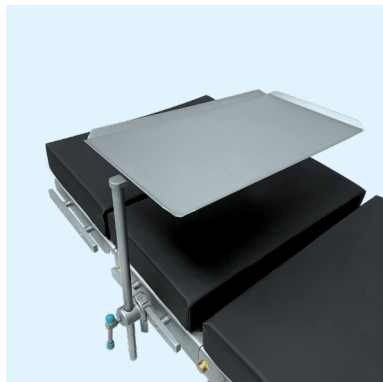
Tubes holder
4-09-054

- Main features:**
- + it is used to suspend the anesthesia tubing
 - + the design allows rotation around the vertical axis, height and distance adjustment from the tabletop
 - + required single-position handle 4-09-061



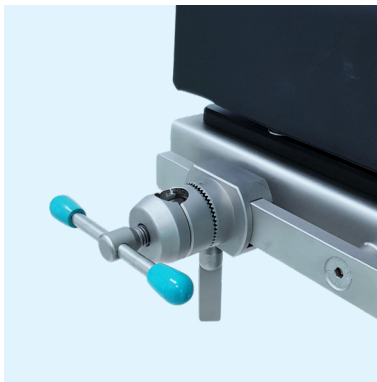
Positioning aids & surgical field assistance

➤ SURGICAL FIELD AIDS



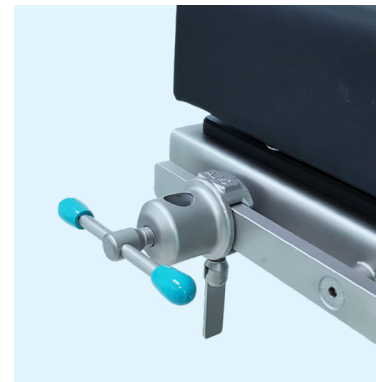
Tray for additional accessories
4-09-055

- Main features:**
- + it is used for the storage of surgical instruments
 - + the design allows rotation around the vertical axis, height adjustment
 - + tray dimensions: 450 x 260 mm
 - + required single-position handle 4-09-061



Radial clamp
4-09-060

- Main features:**
- + used to attach additional accessories with a round seat $\varnothing 16$ mm to the side rails of the table
 - + the design allows you to adjust the tilt



One-position clamp
4-09-061

- Main features:**
- + used to attach additional accessories with a round seat $\varnothing 16$ mm to the side rails of the table



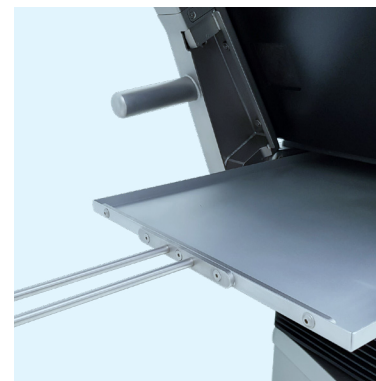
Premium socket
800-0006-EU

- Main features:**
- + used to attach additional accessories with a round seat $\varnothing 16$ mm to the side rails of the table
 - + the design allows you to adjust the tilt, mount the handle on the side rail and press the accessory with a single knob



Clark socket
800-0134-EU

- Main features:**
- + used to attach additional accessories to the side rails of the table with a round $\varnothing 16$ mm and rectangular seat post with dimensions of 25 x 9.5 mm
 - + the design allows you to adjust the tilt, mount the handle on the side rail and press the accessory with a single knob



X-Ray cassette holder
4-09-062

- Main features:**
- + is used to store the X-ray cassette
 - + can be inserted under the tabletop from both the headrest and footrests
 - + tray dimensions: 470 x 385 mm



Positioning aids & surgical field assistance

➤ SURGICAL FIELD AIDS



Side rail extension
4-09-063

- Main features:**
- + it is used to extend the side rail of the table
 - + equipped with an integrated handle
 - + dimensions: 25 x 10 x 275 mm



Clamp for carbon fiber tabletop

- 4-09-065-v3**
L: 180 mm
4-09-065-v6
L: 300 mm

- Main features:**
- + it is used to attach accessories to a table made of carbon fiber
 - + equipped with 25 x 10 mm side rails, available in two lengths, 180 and 300 mm
 - + the handle is available in a fully transparent version, made of plastic



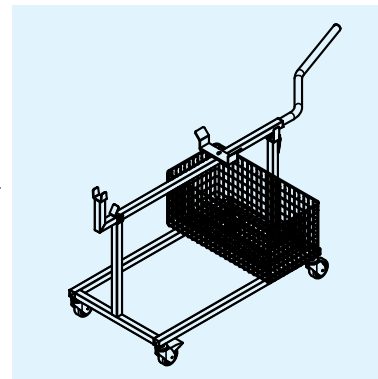
Mobile holder for additional equipment
4-09-000-v2

- Main features:**
- + it is used for storing table equipment and accessories



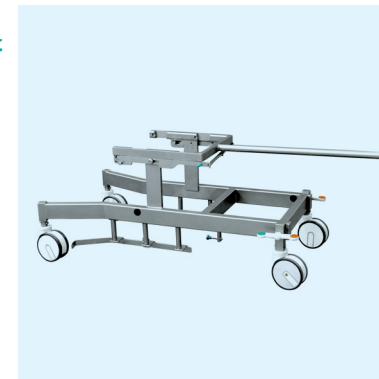
Mobile holder for orthopedic attachment
4-09-001-v3

- Main features:**
- + it is used for storing and transporting elements of the orthopedic attachment 4-09-100-v2
 - + dimensions: 1660 x 870 x 610 mm



Trolley for installing orthopedic attachment
4-09-002

- Main features:**
- + it is used to transport and install an orthopedic attachment 4-09-100-v2
 - + dimensions: 1640 x 790 x 580 mm



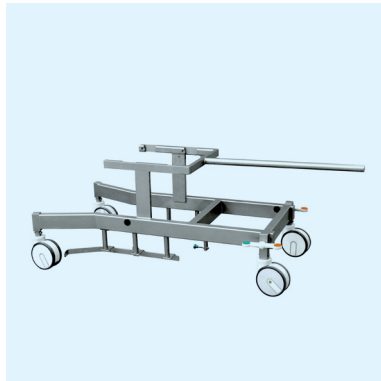
Transport trolley for tabletops and table ALVO Sonata 4-03
4-09-004

- Main features:**
- + it is used to transport the tabletop and tabletop with a flat base
 - + the guide handle allows easy maneuvering of the stroller
 - + equipped with four double wheels with the possibility of blocking



Positioning aids & surgical field assistance

➤ SURGICAL FIELD AIDS



**Transport trolley for tabletops and table
ALVO Sonata 4-03
4-09-005**

Main features:

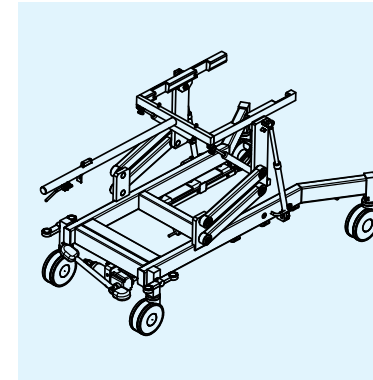
- + it is used to transport the tabletop
- + the guide handle allows easy maneuvering of the stroller
- + equipped with four double wheels with the possibility of blocking



**Transport trolley for tabletops, with height adjustment
4-09-006**

Main features:

- + it is used to transport the tabletop
- + the design allows you to adjust the height of the trolley
- + the guide handle allows easy maneuvering of the trolley
- + equipped with four double wheels with the possibility of blocking



**Transport trolley for tabletops, with height adjustment and tilts
4-09-007**

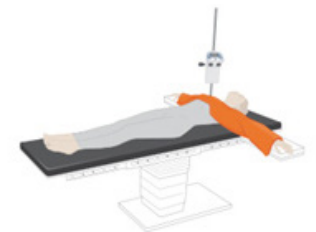
Main features:

- + it is used to transport the tabletop
- + the design allows for height and longitudinal tilt adjustment of the trolley
- + the guide handle allows easy maneuvering of the trolley
- + equipped with four double wheels with the possibility of blocking



PATIENT WARMING SYSTEM

➤ SURGICAL FIELD AIDS



The flexible, conductive and reusable patient warming system is very economical, simple to operate and of great clinical benefit. As the first module for the reduction of perioperative hypothermia, in routine use, it provides effective and economical prevention for all surgical patients. It improves safety against negative side effects of operation and contributes to the general well-being of the patient. It also provides prevention against decubitus when combined with a visco-elastic operating table pad or gel pad.



- + patient warming system is a modern solution using a net of carbon fiber which is permeable to X-rays
- + this is an economic and effective hypothermia prevention method
- + the control units are prepared for battery operation and can optionally be operated with an integratable, rechargeable battery
- + the device has the ability to use two independent heating accessories (pads, blankets)
- + the device has illuminated display and simple operation ensures click-click system, which enables vertical and horizontal installation



The temperature setting in the range from 32-39°C can be individually set in precise 0.5°C steps for each applied part. All high and low temperature alarms are continuously monitored the control unit.

4 or 8 temperature sensors are distributed close to the patient in the applied part. These ensure precise temperature control and monitoring of all of the alarm functions. The alarm function will activate when:

- + temperature increases,
- + cable breaks,
- + exceeding heating temperature.



Warming blankets

Warming blankets are exceedingly soft and supple. They can be used before, during and after surgery, as well as on the ward.



ASTOPAD COV070 680 x 480 mm	Warming blanket as a top and bottom blanket for children and infants with a height of less than 90 cm.
ASTOPAD COV105 1050 x 500 mm	Special warming blanket for surgery in the lithotomy position (primarily urology and gynaecology).
ASTOPAD COV150 1500 x 500 mm	Heated standard model for universal use as a top and bottom blanket.
ASTOPAD COV155 1500 x 500 mm	Warming blanket to cover the upper body with cut-outs for the neck and thorax area.
ASTOPAD COV180 1800 x 800 mm	Heated full body blanket, as a top and bottom blanket for the operating theatre, recovery room and on the ward.
ASTOPAD COV180 2050 x 1350 mm	Heated top blanket for use in the recovery room and on the ward.

Table pads

The heated, pressure relieving operating table pad provides a unique combination of hypothermia and decubitus prophylaxis. The key component is a visco-elastic foam, combined with a dynamic foam base for the best possible decubitus prophylaxis on the operating table.



ASTOPAD SOF	Heated, pressure relieving backrest for operating tables, antistatic. The dimensions are adapted individually, so that it is suitable for all operating tables. All backrests are optionally available with a sacral cut-out.
-------------	---

Positioning aids & surgical field assistance

➤ SURGICAL FIELD AIDS



**Flexible patient slider
800-0067**

- Main features:**
- + it is used to transfer the patient from the operating table to the bed
 - + antistatic, translucent to X-ray radiation
 - + dimensions: 840 x 560 x 20 mm



**Flexible patient slider with belt
800-0352**

- Main features:**
- + it is used to transfer the patient from the operating table to the bed
 - + antistatic, translucent to X-ray radiation
 - + compatible with MRI
 - + dimensions: 910x 510 mm



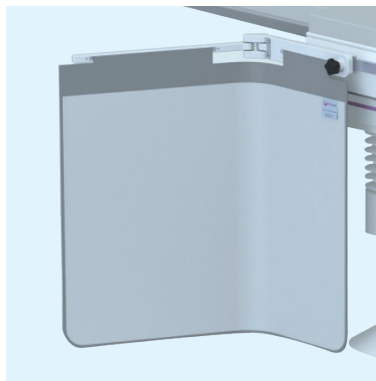
**Stirrups dolly
800-0074-S**

- Main features:**
- + it is used to store lithotomic stirrups with handles
 - + compatible with lithotomic stirrups: 800-0342-PL, 800-0342-PR, 800-0342-M
 - + dimensions: 690 x 310 x 970 mm



**LytaType Double sided apron
907**

- Main features:**
- + a two-sided protective apron with a Pb equivalent of 0.25 mm
 - + fastened with clips
 - + has built-in shoulder pads
 - + available in several sizes and colors



**X-ray shielding
312/E-005**

- Main features:**
- + protective screen with Pb 0.50 mm equivalent
 - + attached to the side rail of the table
 - + designed with a rotating arm
 - + available in several dimensional variants



**Stirrups wall rack
800-0284**

- Main features:**
- + it is used to store lithotomic stirrups with handles
 - + mounted to the wall with the 4 included screws



Positioning aids & surgical field assistance

➤ SURGICAL FIELD AIDS



Surgical field equipment

- + medical stools
- + anesthesia trolleys
- + medical cabinets
- + surgical lights



Instrument tables and stools

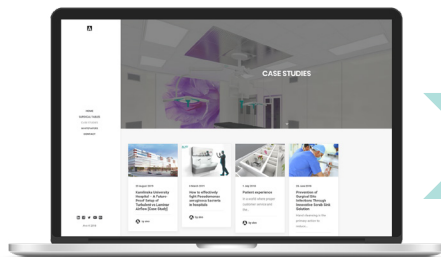
- + instrument tables mayo type
- + trolleys for medical devices
- + sterile container transport trolleys



Diverse equipment

- + infusion holders
- + bowl holders
- + heated bowl holders
- + waste bins

ALVO Premium scrub sink



Visit our website:
www.alvo.pl





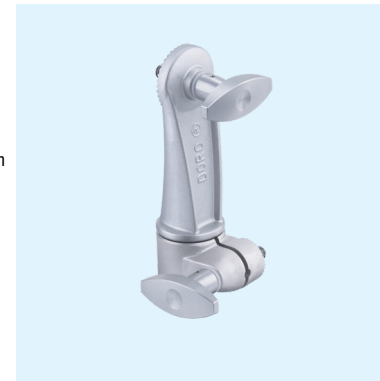
DORO® Skull Clamp
1001.001

- Main features:**
- + made of aluminium
 - + easy to read scale on the torque screw
 - + no play of two pin rocker arm when locked
 - + minimum play between skull clamp and extension arm
 - + reusable Skull Pins not included



DORO® Adjustable Base Unit
3001-00

- Main features:**
- + made of aluminium
 - + attached to the table with an adapter 4-09-040b-01



DORO® Swivel Adaptor
3002-00

- Main features:**
- + made of aluminium
 - + connects the skull clamp to the base unit
 - + provides 360° rotation for optimum flexibility in patient positioning



DORO® Reusable Skull Pins
3004-00 - pediatric size
3005-00 - adult size

- Main features:**
- + made of stainless steel
 - + precise, secure and rigid fixation
 - + sold in sets (3 pcs)



DORO® Crossbar Adaptor
3007-00

- Main features:**
- + for sitting positions
 - + adjustable spacing for different tabletop widths
 - + fastened in Universal Side Rail Fitting



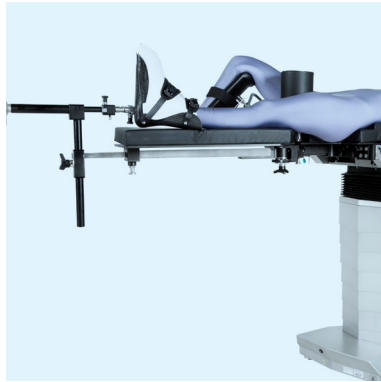
DORO® Universal Side Rail Fitting
3007-50

- Main features:**
- + radial rotation clamp for crossbar adaptor
 - + single release of rotation
 - + height adjustment

Orthopedic Gold Standards

▶ ORTHOPEDIC ATTACHMENTS





Lower limbs traction premium line

R0.160.710

Main features:

- + it is used to operate on lower limb fractures
- + the set includes, among others seat made of carbon fiber with removable buttock segments, tension device, tension shoe, thrust roller, stabilizing foot, trolley for accessories
- + the design enables the C-arm to work

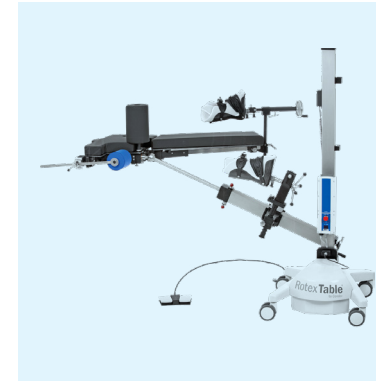


Tibia nailing device for lower limbs traction premium line

R0.160.800.TS

Main features:

- + it is used for the operation of the knee joint and the nailing of the tibia
- + the design enables work on the left and right limbs
- + is an additional equipment of the lower limb tensioning system R0.160.710



RotexTable - DAA and hip arthroscopy powered column

R0.160.540 UL

Main features:

- + an electrically controlled device supporting patient positioning during hip surgery, e.g., anterior approach hip arthroscopy or arthroplasty (DAA)
- + electric height adjustment is done with a hand or foot switch



Orthopedic Gold Standards

▶ ORTHOPEDIC ATTACHMENTS



Fast mount – quick release system



Sonic welded, seamless pads

Carbon fiber pelvis section



Quick-release gluteal muscles relieve system



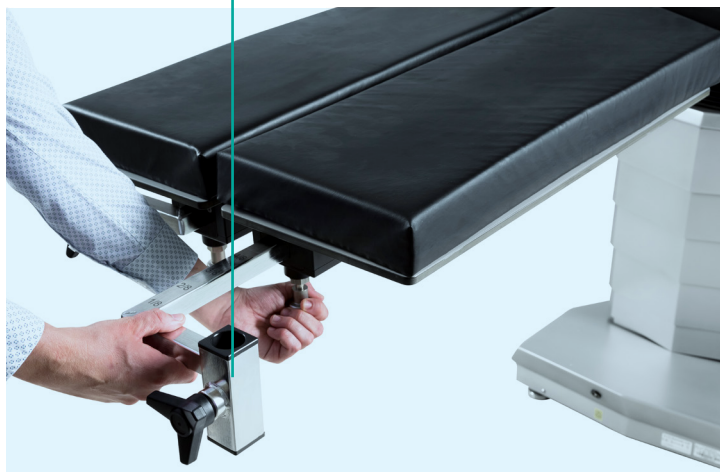
Light limb support with integrated traction beam

Orthopedic Gold Standards

▶ ORTHOPEDIC ATTACHMENTS



X-ray radiotranslucent plate



Retractable beam for traction device



Low friction traction spindle



Carbon fiber countertraction post - quick release, with ability to set the left or right offset up



Orthopedic Gold Standards

▶ ORTHOPEDIC ATTACHMENTS



▶ Selection of padded rolls depending on pulling force

Self aligning Cardan joint

▶ Lightweight traction boot – snowboard fastening system



Orthopedic Gold Standards

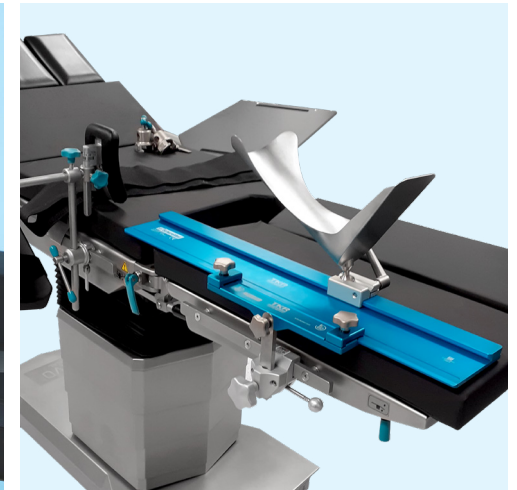
▶ ORTHOPEDIC ATTACHMENTS



▶ Tibia nailing system



ACL/Arthroscopy holder



TKR fixation



EasyPRO accessories

► SURGICAL FIELD AIDS

A next-generation surgical field accessories line compatible with one 360° adapter. Replacing multiple fixing elements with one, multi-purpose adapter that can easily be installed and repositioned at any time during surgery, saves time. And time is money.

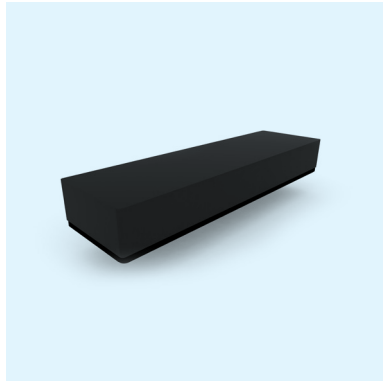
- **first-to-market quick lock (click-in) adapter for different surgical accessories**
- 360° positioning
- easy set-up, smooth change-over via click-in system
- undisturbed access to the surgical field
- fluent, floating positioning
- modular, extendable line
- lightweight design, soft, welded pads
- autoclavable

Prep'n'drep
positioning
time reduced
by half!

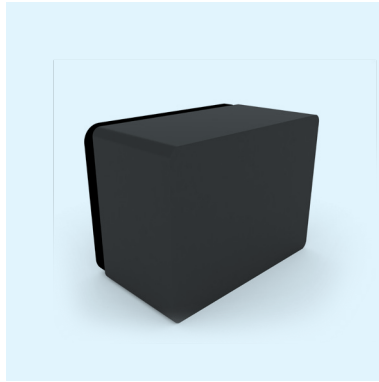


EasyPRO accessories

➤ SURGICAL FIELD AIDS



Arm support
EP-1100



Pubic support
EP-1200



Support roll
EP-1300



Lateral support
EP-1400



IV holder
EP-1500



Anesthesia frame
EP-1600



EasyPRO accessories

➤ SURGICAL FIELD AIDS



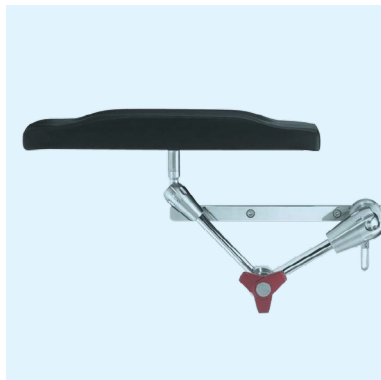
Tubes holder
EP-1700



TUR Bowl
EP-1800



Pin-joint arm
EP-1000

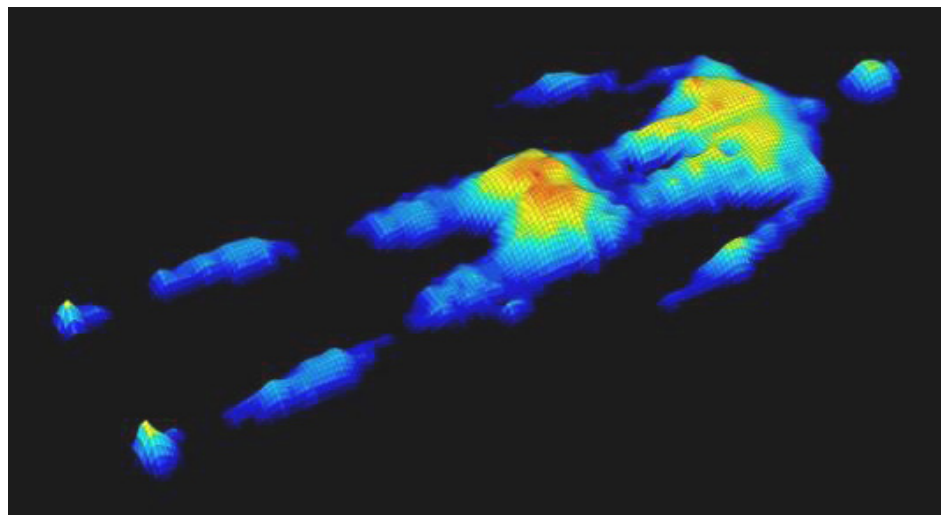
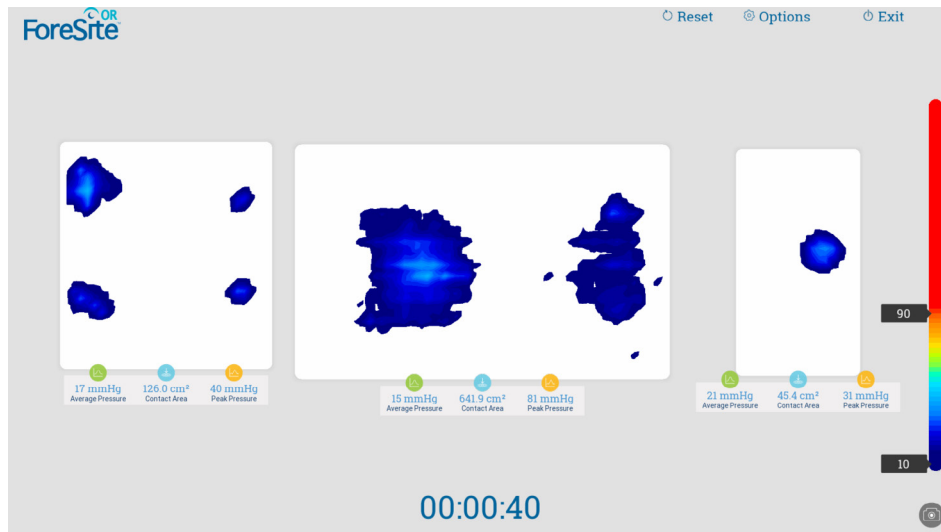


360 deg. swivel
arm support
6646.01



ALVO SENSEi

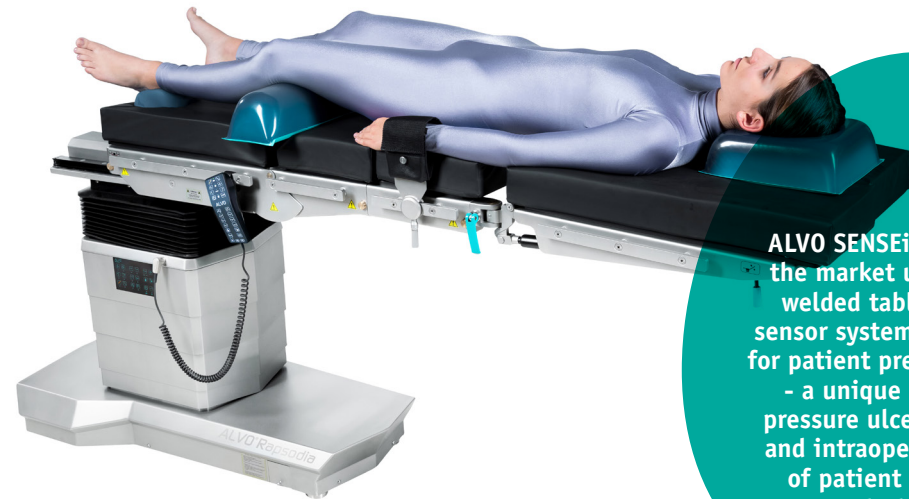
Intraoperative real-time pressure mapping



Patient positioning can be continuously monitored to reduce the risk of pressure ulcers that may occur during prolonged surgeries.

ALVO operating tables are now available with **ultrasonic welded pressure relieving pads and integrated pressure monitoring interfaces**. Special sensors generate and record real-time images of the body surface pressures that surgical staff can observe on any display in the operating theatre. The new anti-decubitus operating details during surgery, on any chosen display. The necessary repositioning can be done remotely, via ALVO Integra OR management screen. Intraoperative pressure monitoring will allow surgeons greater positioning precision, improve patient outcomes, and eliminate the risks of pressure injuries during long surgical procedures.

The modular design of the interchangeable premium tabletops allows the hospital to expand the surgical suite's capabilities with any already existing ALVO operating table, as a step-by-step investment.



ALVO SENSEi - the first to the market ultrasonically welded table pads with sensor system and interface for patient pressure mapping - a unique solution for pressure ulcers prevention and intraoperative control of patient positioning strategies.



ALVO Transpa

Mobile patient transfer solution

Flexible solution

- easy to use in any hospital area, especially in places, where it is not possible to install a fixed patient transfer unit
- lower end user price – approx. 40% of fixed system price
- easier installation and adaptation process

Designed with caregivers' comfort and safety of patients in mind

- effortless manoeuvring and control thanks to motorized castor
- heavy patients handling



Hygienic solution

- no transporters crossing the border between clean and dirty area
- less devices to be cleaned and disinfected

Technical specifications ALVO Transpa

Total length of Transpa	2150 mm	Battery charging time	< 12 h
Total height of Transpa	1320 mm	Work character	interrupted operation 2/18 min
Tabletop width	650 mm	Working time between battery charging	about 60 patient transfers
Total width of Transpa	1100 mm	Battery charger	Built-in
Height adjustment	750-1000 mm	Charging current	230 V ~50/60 Hz
Transpa weight	~250 kg	Power consumption from mains (max.)	1 A / 230 V
Max. dynamic load capacity	250 kg	Lifetime	10 years
Power supply	24 V	International Protection Marking	IP-X4
Batteries (sealed, maintenance-free)	24 V, 22 Ah, 2 pcs	IEC protection class	I
		Application part type	B





ALVO Medical Sp. z o.o.
ul. Południowa 21a
64-030 Śmigiel, Poland
tel. +48 65 518 98 49
www.alvo.pl



We reserve the right to change design, construction and dimensions of our products at any time to incorporate the latest technological developments.