

# Mounting spaces of Planmeca devices

## Planmeca ProX

Planmeca ProX intraoral dental radiological equipment can be installed in a minimum surface area of 0.35 m<sup>2</sup>.

## Planmeca ProOne

Planmeca ProOne can be installed in a minimum surface area of 1,32 m<sup>2</sup>.

Planmeca ProOne together with Planmeca ProX can be installed in a single room with a minimum surface area of 4,96 m<sup>2</sup>.

## Planmeca ProMax 2D S2

Planmeca ProMax 2D S2 can be installed in a minimum surface area of 1.28 m<sup>2</sup>.

Planmeca ProMax 2D S2 with cephalostat can be installed in a minimum surface area of 2,50 m<sup>2</sup>.

Planmeca ProMax 2D S2 together with Planmeca ProX can be installed in a single room with a minimum surface area of 4,67 m<sup>2</sup>.

Planmeca ProMax 2D S2 with cephalostat together with Planmeca ProX can be installed in a single room with a minimum surface area of 6,15 m<sup>2</sup>.

## Planmeca ProMax 2D S3 or Planmeca ProMax 3D

Planmeca ProMax 2D S3 or Planmeca ProMax 3D (Classic) can be installed in a minimum surface area of 1.59 m<sup>2</sup>.

Planmeca ProMax 2D S3 or Planmeca ProMax 3D (Classic) with cephalostat can be installed in a minimum surface area of 2,69 m<sup>2</sup>.

Planmeca ProMax 2D S3 or Planmeca ProMax 3D (Classic) together with Planmeca ProX can be installed in a minimum surface area of 5,24 m<sup>2</sup>.

Planmeca ProMax 2D S3 or Planmeca ProMax 3D (Classic) with cephalostat together with Planmeca ProX can be installed in a minimum surface area of 6,34 m<sup>2</sup>.

## Planmeca ProMax 3D Plus or Planmeca ProMax 3D Mid

Planmeca ProMax 3D Plus or Planmeca ProMax 3D Mid can be installed in a minimum surface area of 1.96 m<sup>2</sup>.

Planmeca ProMax 3D Plus or Planmeca ProMax 3D Mid with cephalostat can be installed in a minimum surface area of 3,22 m<sup>2</sup>.

Planmeca ProMax 3D Plus or Planmeca ProMax 3D Mid together with Planmeca ProX can be installed in a minimum surface area of 5,61 m<sup>2</sup>.

Planmeca ProMax 3D Plus or Planmeca ProMax 3D Mid with cephalostat can be installed in a minimum surface area of 6,87 m<sup>2</sup>.

## Planmeca Viso G3, Planmeca Viso G5 and Planmeca Viso G7

Planmeca Viso G3, G5 and G7 can be installed in a minimum surface area of 2,38 m<sup>2</sup>.

Planmeca Viso G3, G5 and G7 with cephalostat can be installed in a minimum surface area of 3,32 m<sup>2</sup>.

Planmeca Viso G3, G5 or G7 together with Planmeca ProX can be installed in a single room with a minimum surface area of 6,03 m<sup>2</sup>.

Planmeca Viso G3, G5 or G7 with cephalostat together with Planmeca ProX can be installed in a single room with a minimum surface area of 6,97 m<sup>2</sup>.

Erkki Hiltunen



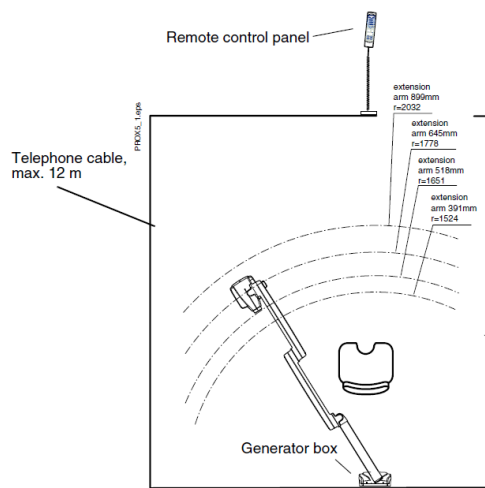
Product Manager  
X-ray Division  
Planmeca Oy



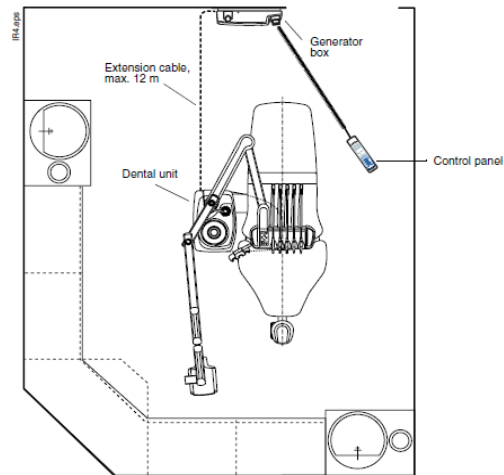
## Planmeca ProX

Operational space requirements for X-Ray unit

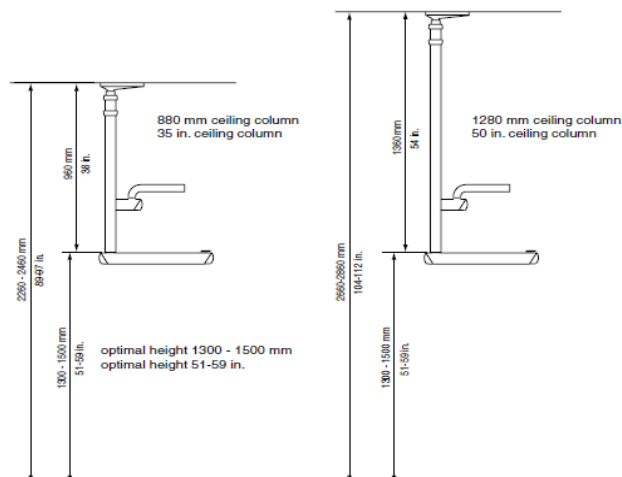
Equipment	Width	Length	Area, m <sup>2</sup>	Room Height
Planmeca ProX X-ray in parking position	1150 mm	305 mm	0,35	2260 mm
	Maximum reach radius			
Planmeca ProX X-ray – Wall mounting	extension arm 391 mm – 1524 mm		3,65	2260 mm
	extension arm 518 mm – 1651 mm		4,28	2260 mm
	extension arm 772 mm – 1778 mm		4,97	2260 mm
	extension arm 899 mm - 2032 mm		6,49	2260 mm
Planmeca ProX X-ray – Dental unit mounting	1456 mm		3,33	2260 mm
Planmeca ProX X-ray – Ceiling mounting	extension arm 391 mm – 1456 mm		6,66	2260 mm
	extension arm 518 mm - 1583 mm		7,87	2260 mm



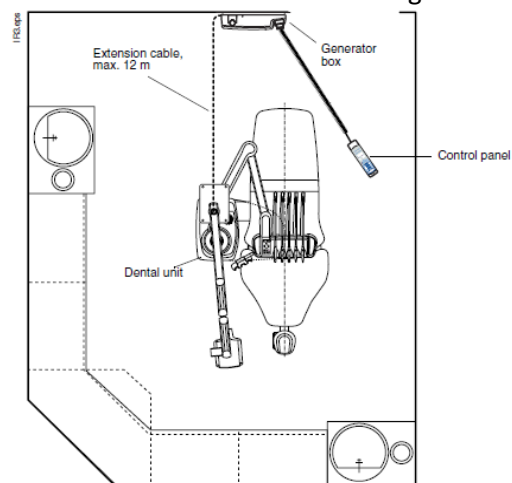
Wall mounting



Dental unit mounting



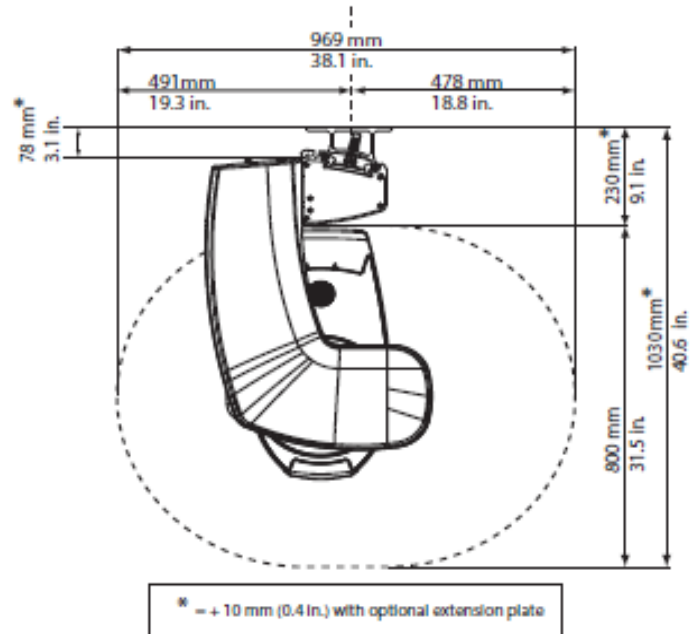
Ceiling mounting



## Planmeca ProOne

Minimum operational space requirements for the X-Ray unit

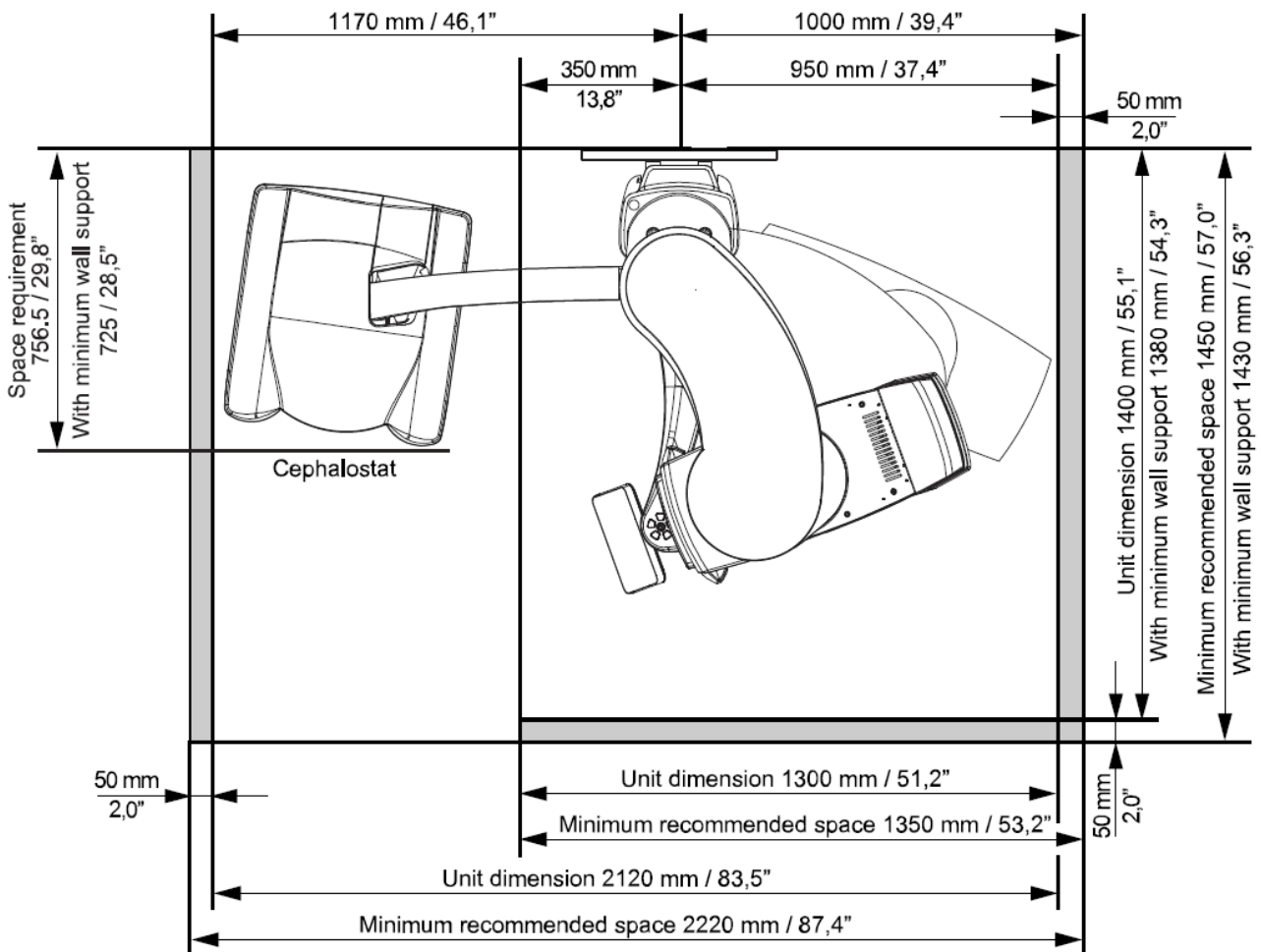
Equipment	Width	Length	Area, m <sup>2</sup>	Room Height
Planmeca ProOne	1219 mm	1080 mm	1,32	2250 mm



**Planmeca ProMax 2D, Planmeca ProMax 3D (Classic), Planmeca ProMax 3D Plus, Planmeca ProMax 3D Mid**

Minimum operational space requirements for the X-Ray unit

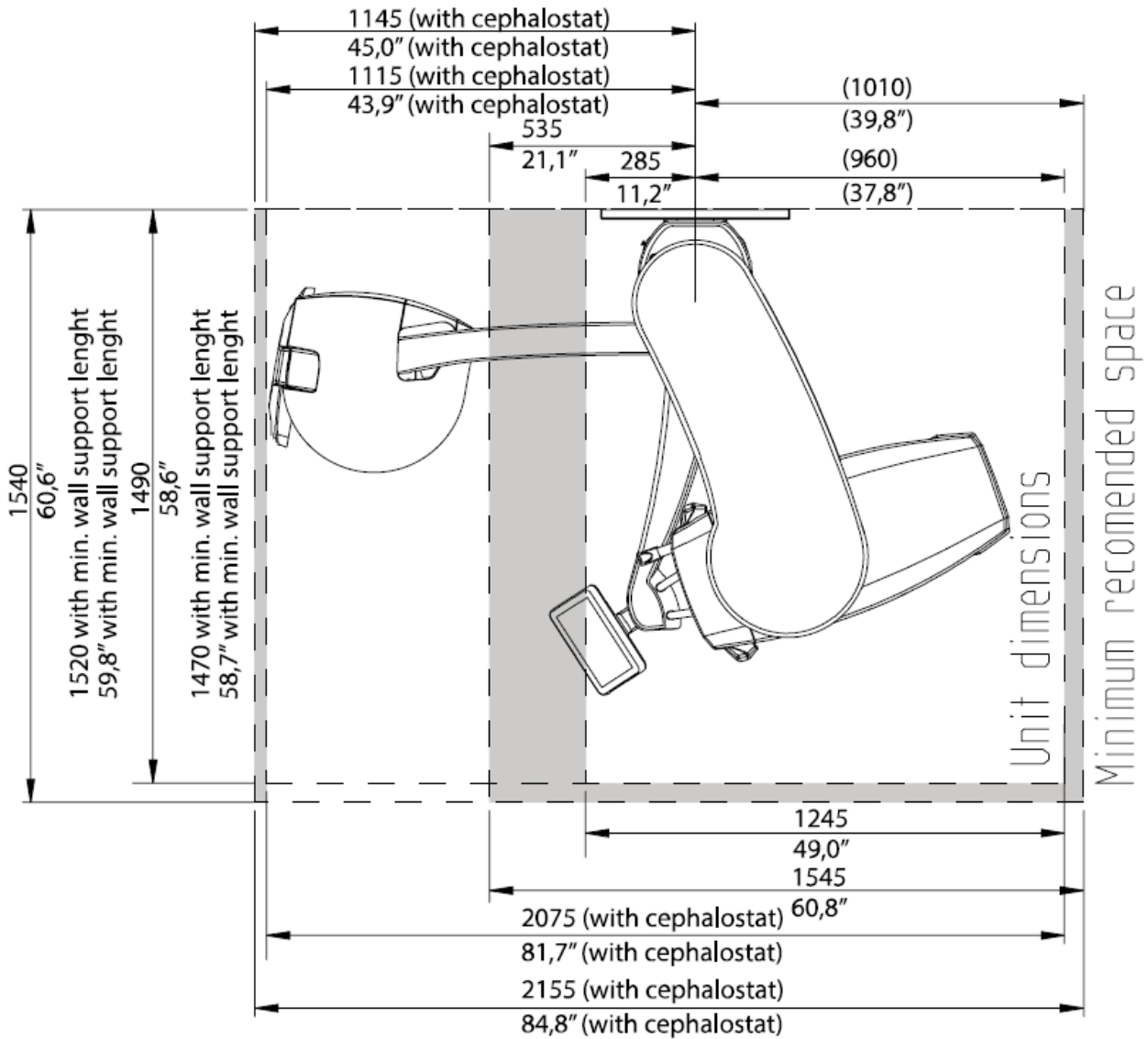
Equipment	Width	Length	Area, m <sup>2</sup>	Room Height
Planmeca ProMax 3D Plus and 3D Mid	1350 mm	1450 mm	1,96	2390 mm
Planmeca ProMax 3D Plus and 3D Mid with cephalostat	2220 mm	1450 mm	3,22	2390 mm



**Planmeca Viso G3, Planmeca Viso G5 and Planmeca Viso G7**

Minimum operational space requirements for the X-Ray unit

Equipment	Width	Length	Area, m <sup>2</sup>	Room Height
Planmeca Viso	1545 mm	1540 mm	2,38	2400 mm
Planmeca Viso with cephalostat	2155 mm	1540 mm	3,32	2400 mm



## Device combinations

### Planmeca ProOne + Planmeca ProX

Equipment		Area, m <sup>2</sup>
Planmeca ProOne		1.32
Planmeca ProX X-ray – Wall mounting	extension arm 391 mm – 1524 mm	3.65
total		4.96

### Planmeca ProMax 2D S2 + Planmeca ProX

Equipment		Area, m <sup>2</sup>
Planmeca ProMax 2D S2		1.28
Planmeca ProX X-ray – Wall mounting	extension arm 391 mm – 1524 mm	3.65
total		4.67

### Planmeca ProMax 2D S2 with cephalostat + Planmeca ProX

Equipment		Area, m <sup>2</sup>
Planmeca ProMax 2D S2 with cephalostat		2.50
Planmeca ProX X-ray – Wall mounting	extension arm 391 mm – 1524 mm	3.65
total		6.15

### Planmeca ProMax 2D S3 or Planmeca ProMax 3D Classic + Planmeca ProX

Equipment		Area, m <sup>2</sup>
Planmeca ProMax 2D S3 or Planmeca ProMax 3D Classic		1,59
Planmeca ProX X-ray – Wall mounting	extension arm 391 mm – 1524 mm	3,65
total		5,24

### Planmeca ProMax 2D S3 and Planmeca ProMax 3D Classic with cephalostat + Planmeca ProX

Equipment		Area, m <sup>2</sup>
Planmeca ProMax 2D S3 and Planmeca ProMax 3D Classic with cephalostat		2,59
Planmeca ProX X-ray – Wall mounting	extension arm 391 mm – 1524 mm	3,65
total		6,34

Planmeca ProMax 3D Plus and 3D Mid + Planmeca ProX

Equipment		Area, m <sup>2</sup>
Planmeca ProMax 3D Plus and 3D Mid		1,96
Planmeca ProX X-ray – Wall mounting	extension arm 391 mm – 1524 mm	3,65
total		5,61

Planmeca ProMax 3D Plus and 3D Mid with cephalostat + Planmeca ProX

Equipment		Area, m <sup>2</sup>
Planmeca ProMax 3D Plus and 3D Mid with cephalostat		3,22
Planmeca ProX X-ray – Wall mounting	extension arm 391 mm – 1524 mm	3,65
total		6,87

Planmeca Viso + Planmeca ProX

Equipment		Area, m <sup>2</sup>
Planmeca Viso		2,38
Planmeca ProX X-ray – Wall mounting	extension arm 391 mm – 1524 mm	3,65
total		6,03

Planmeca Viso with cephalostat + Planmeca ProX

Equipment		Area, m <sup>2</sup>
Planmeca Viso with cephalostat		3,32
Planmeca ProX X-ray – Wall mounting	extension arm 391 mm – 1524 mm	3,65
total		6,97