

Professional streetlight luminaire for LED light sources.

TECHNICAL DATA

Mounting: on pillar $\varnothing 60/76$ mm, on pillar $\varnothing 60/48$ mm (only for luminaires with a degree of regulation $0^\circ \dots +15^\circ$) - modification .834, on outriggers $\varnothing 60/76$ mm, on outriggers $\varnothing 60/48$ mm (only for luminaires with a degree of regulation $0^\circ \dots +15^\circ$) - modification .834

Body: high pressure die-cast aluminum

Lateral Surface Wind Exposed: 0.049 m^2

Colour: gray

RAL: 7035

Operating temperature range [°C]: * max +50

ELECTRICAL DATA

Power supply efficiency: >93%

Power: 220-240V 50/60Hz

Includes light source: yes

Type of equipment: DALI

Light source / lamp: LED

Electrical connection: max $5 \times 2,5 \text{ mm}^2$ wire

OPTICAL DATA

Light distribution: asymmetric

Way of lighting: direct

Type of optic: 078

Diffuser: tempered glass

CRI/Ra: >70

Lumen luminaire [lm]: 22750

Colour

temperature [K]: 4000

ULOR / DLOR: 0% / 100%

GENERAL DATA

Lifetime LED (L90): 100 000 h

Warranty: 5 years

Application: freeways, express roads, local roads, town roads, residential area roads, area lighting, airports, parking areas

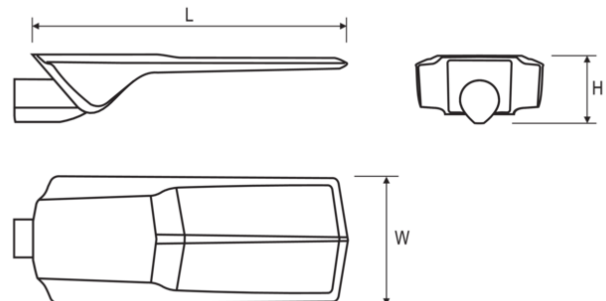
Additional information: Tilt adjustment: 5° , knife switch (for protection class I), access to the driver chamber without the use of tools. The possibility of using one or more power supplies in the luminaire. CRI/Ra >70; CLO; Surge protection 10kV; cos fi of power supply >0.92 for rated power; iBlock

Other remarks: the pole and boom are not part of the luminaire



Code	Protection Class	IK	Luminaire power [W]	Lumen luminaire [lm]	Efficacy [lm/W]	Colour temperature [K]	Type of optic	Colour	Operating temperature range [°C]
-	I	IK09	155	22750	147	4000	078	gray	-40 ... +50

Code	Dimensions [mm] L W H	Pallet quantity	Quantity in package	Net weight [kg]
-	730 295 135	24	1	11,0



In order to apply the luminaire in an aggressive environment, for example with an increased concentration of sulfur, salt or other aggressive substances, a consultation with the LUG Technical Preparation of Production Branch is required. Luminous flux tolerance +/- 10%; power tolerance +/- 5%; colour temperature tolerance +/- 5%.

Lighting beam, light intensity distribution and light efficiency were examined in accordance with the EN ISO 17025:2005 norm for EN13032 norm series and the LM-79 norm.

General Warranty Terms available on our website www.luglightfactory.com

Detailed information on luminous fluxes and powers for individual indexes are indicated on the product data sheet.

The parameters in the data sheet are given for $T_a = 25^\circ\text{C}$.

The operating temperature ranges apply only to luminaires used in the outdoor environment.

ACCESSORIES



□ 150170.00818
■ 150173.00906

Wall bracket ø60mm

ADDITIONAL PHOTOS



In order to apply the luminaire in an aggressive environment, for example with an increased concentration of sulfur, salt or other aggressive substances, a consultation with the LUG Technical Preparation of Production Branch is required.

Luminous flux tolerance +/- 10%; power tolerance +/- 5%; colour temperature tolerance +/- 5%.

Lighting beam, light intensity distribution and light efficiency were examined in accordance with the EN ISO 17025:2005 norm for EN13032 norm series and the LM-79 norm.

General Warranty Terms available on our website www.luglightfactory.com

Detailed information on luminous fluxes and powers for individual indexes are indicated on the product data sheet.

The parameters in the data sheet are given for Ta=25°C.

The operating temperature ranges apply only to luminaires used in the outdoor environment.