

Rapporto di prova

Test Report

num. **PMT.014/2026** – Date of issue: **2026-01-23**

Page 1 of 2

Committente (nome e indirizzo): <i>customer (name and address)</i>	ADD-PRODUCTION s.r.l. 36, Dragomirna str., MD-2008 Chisinau, Republic of Moldova
O.I.F. (numero e data): <i>esplication (number and date)</i>	871/25 of 2025/12/16
Denominazione prova: <i>test description</i>	IP grade Protection
Campione sottoposto a prove: <i>test sample</i>	ADR water meter
Norma di riferimento: <i>standard reference</i>	EN 60529
Procedura tecnica: <i>test procedure</i>	See page 2
Data della prova: <i>date of measurements</i>	2025/12/10÷2026/01/12
Data di ricevimento dei campioni: <i>date of receipt of samples</i>	2025/07/05
Condizioni ambientali: <i>environmental testing conditions</i>	See page 2
Bollettino di prova: <i>test documentation</i>	014/2026

Il presente Rapporto riguarda solo i campioni sottoposti a prova e non può essere riprodotto parzialmente salvo approvazione scritta di PA.L.MER
This report is concerning the only samples submitted to test and it may not be copied, even partially, without written approbation of PA.L.MER

Report digitally signed in accordance with current legislation
If printed it becomes invalid

Direzione tecnica
(Approving Officer)
(ing. Agostino Viola)

Pa.L.Mer. società consortile a r.l.

Parco Scientifico e Tecnologico del Lazio Meridionale
Cap. Soc. € 685.020,00 – C.F. e P.IVA 01695130599
info@parcopalmer.it – Pec: palmer@legalmail.it
www.parcopalmer.it

Sede Legale

Via Carrara, 12/A – 04100 Latina (LT)
Tel. 0773.40.36.16 – Fax 0773.63.02.02

Sede Amministrativa

Via Casilina Nord, 246 (km. 68,200) – 03013 Ferentino (FR)
Tel. 0775.24.00.13 – Fax 0775.24.51.90

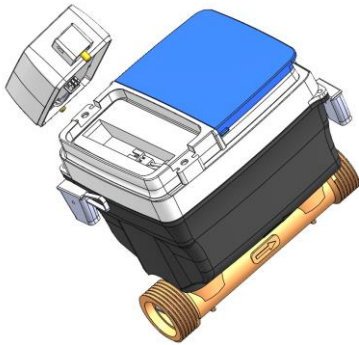


1. Reference

- EN 60529 Degrees of protection provided by enclosures (IP Code)

2. Identification of Samples

Electronic water meter model DN20 serial number 294431



3. Test Equipment and Reliability of Measurements

- Climatic chamber, Angelantoni manufacturer, Challenge 2000 model, internal code PMT.34/000, calibrated with calibration report MET.1179/24 del 2024/12/20

4. Sampling Procedure

Not applicable. Under the responsibility of the customer.

5. Description of the Test

The sample indicated in point 2 has been placed inside the climatic chamber indicated at point 3 at the following conditions;

- IPX8: Immersion in water for 24h at the depth of 1 meter with temperature test water equal to 20 °C
- IP6X A vacuum is created inside the device to simulate the suction caused by thermal cycles. The internal pressure is reduced 20 mbar reative to the external pressure.: The test lasts 8 hours.

Additional test

- IPX8: Immersion in water for 30days at the depth of 3 meters with temperature test water that ranges from 5 °C to 20 °C

The test was performed at the Pa.L.Mer. testing laboratory, Ferentino (FR) branch

6. Test Result

Result for IP6X: At the end of the test, there must be no trace of dust inside the enclosure.

Result for IPX8: At the end of the test, there must be no trace water inside the meter and is working correctly.

Result for IPX8 long: At the end of the test, there must be no trace water inside the meter and is working correctly.