

TWO PIECE BODY WAFFLE GASKET EASY 20 OD 88.0 - OD 530.0



Applications:

For all kind of pipes

Technical specification:

Operating pressure up to PN10 / PN16

Body:

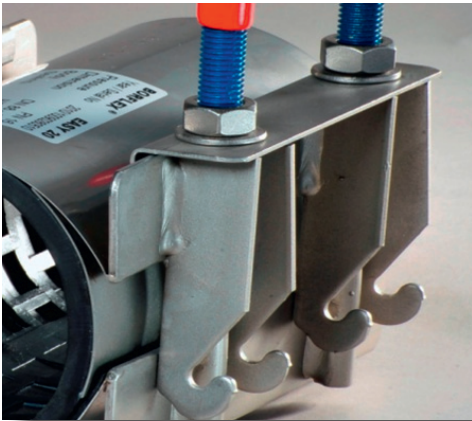
- AISI304
- AISI316
- carbon steel galvanized

Locking system:

- steel galvanized - Dacromet 500 (zinc-chromate with integrated lubricant)
- AISI304
- AISI316

Sealing sleeve:

- EPDM -20°C up to 120°C
Medium: water, waste, air, solids
chemical products
- NBR - 20°C up to 80°C
Medium: water, gas, oil, fuel and
other hydrocarbons

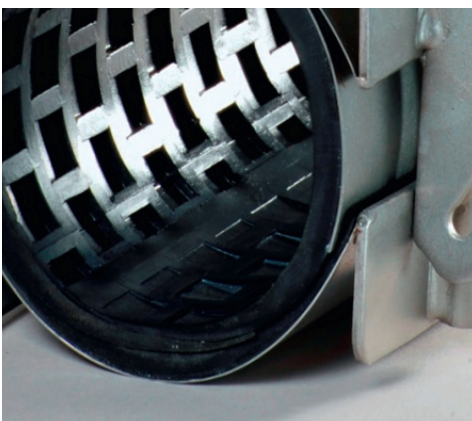


- Safety factor and test pressure according your request

- Radial deformation and vibration absorber

- On axial movement the rubber seal moves with the pipe without any abrasion or any migration

- Most efficient way to repair low pressure pipes



**TWO PIECE BODY WAFFLE GASKET
EASY 20 OD 88.0 - OD 530.0**

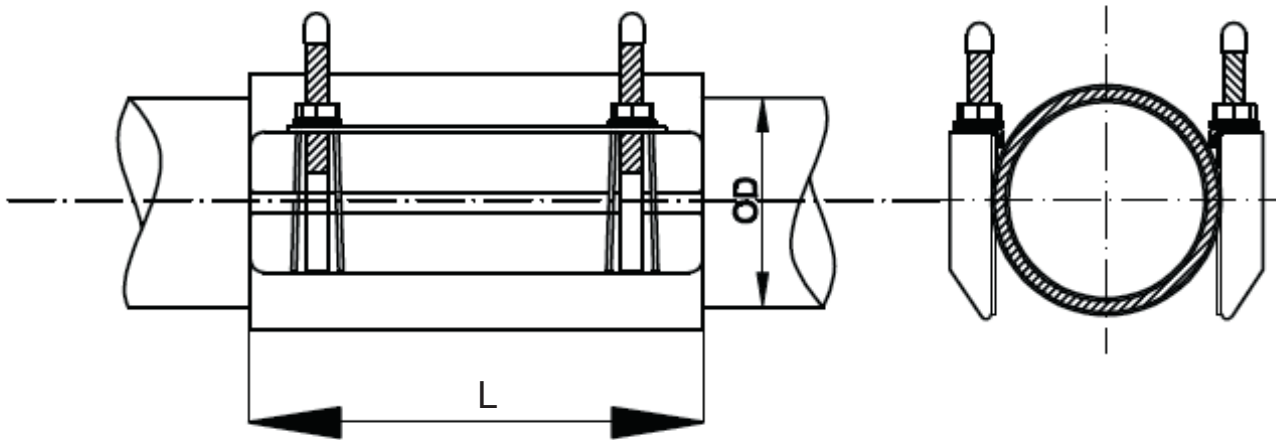
Pipe Outside Diameter	L		L		L		L		L	
mm	mm		mm		mm		mm		mm	
OD	200	Thread	250	Thread	300	Thread	400	Thread	500	Thread
88 - 110	X	2 x M14	X	2 x M14	X	3 x M14				
100 - 200	X	2 x M14	X	2 x M14	X	3 x M14				
108 - 128	X	2 x M14	X	2 x M14	X	3 x M14				
114 - 134	X	2 x M14	X	2 x M14	X	3 x M14				
120 - 140	X	2 x M14	X	2 x M14	X	3 x M14				
130 - 150	X	2 x M14	X	2 x M14	X	3 x M14	X	4 x M14		
135 - 155	X	2 x M14	X	2 x M14	X	3 x M14	X	4 x M14		
140 - 160	X	2 x M14	X	2 x M14	X	3 x M14	X	4 x M14	X	4 x M14
159 - 180	X	2 x M14	X	2 x M14	X	3 x M14	X	4 x M14	X	4 x M14
165 - 185	X	2 x M14	X	2 x M14	X	3 x M14	X	4 x M14	X	4 x M14
168 - 189	X	2 x M14	X	2 x M14	X	3 x M14	X	4 x M14	X	4 x M14
170 - 190	X	2 x M14	X	2 x M14	X	3 x M14	X	4 x M14	X	4 x M14
176 - 196	X	2 x M14	X	2 x M14	X	3 x M14	X	4 x M14	X	4 x M14
190 - 210	X	2 x M14	X	2 x M14	X	3 x M14	X	4 x M14	X	4 x M14
195 - 217	X	2 x M14	X	2 x M14	X	3 x M14	X	4 x M14	X	4 x M14
210 - 230	X	2 x M14	X	2 x M14	X	3 x M14	X	4 x M14	X	4 x M14
218 - 238	X	2 x M14	X	2 x M14	X	3 x M14	X	4 x M14	X	4 x M14
225 - 246	X	2 x M14	X	2 x M14	X	3 x M14	X	4 x M14	X	4 x M14
240 - 260	X	2 x M14	X	2 x M14	X	3 x M14	X	4 x M14	X	4 x M14
250 - 270	X	2 x M14	X	3 x M14	X	4 x M14	X	4 x M14		
269 - 289	X	2 x M14	X	3 x M14	X	4 x M14	X	4 x M14		
273 - 293			X	3 x M14	X	4 x M14	X	4 x M14		
282 - 302			X	3 x M14	X	4 x M14	X	4 x M14		
295 - 315			X	3 x M14	X	4 x M14	X	4 x M14		
315 - 335			X	3 x M14	X	4 x M14	X	4 x M14		
322 - 344			X	3 x M14	X	4 x M14	X	4 x M14		
337 - 358					X	4 x M14	X	4 x M14		
347 - 367					X	4 x M14	X	4 x M14		
365 - 386					X	4 x M14	X	4 x M14		
382 - 402					X	4 x M14	X	4 x M14		
395 - 415					X	4 x M14	X	4 x M14		
400 - 420					X	4 x M14	X	4 x M14		
410 - 430					X	4 x M14	X	4 x M14		
420 - 440					X	4 x M14	X	4 x M14		
435 - 455							X	4 x M14		
450 - 470							X	4 x M14		
468 - 488							X	4 x M14		
510 - 530							X	4 x M14		

Remarks:

Any other size available

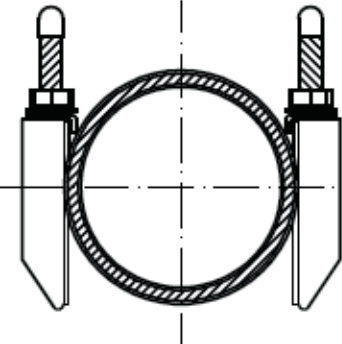
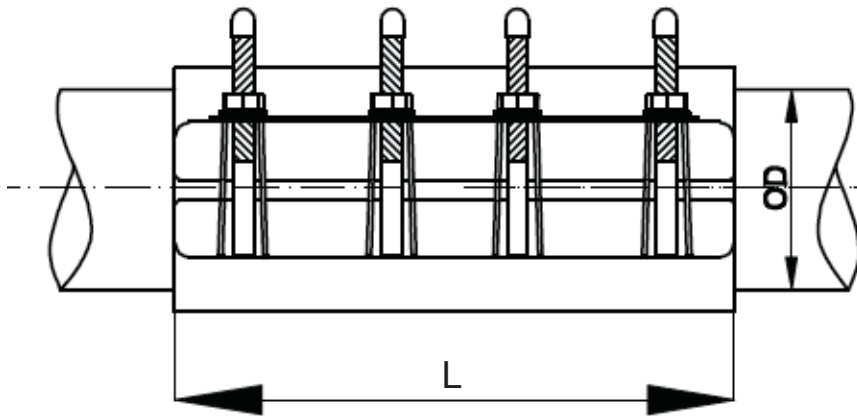
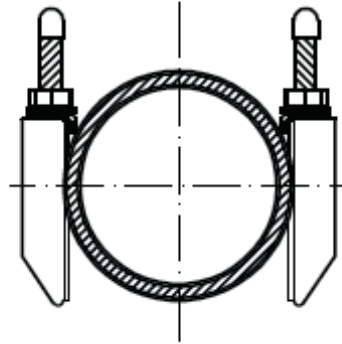
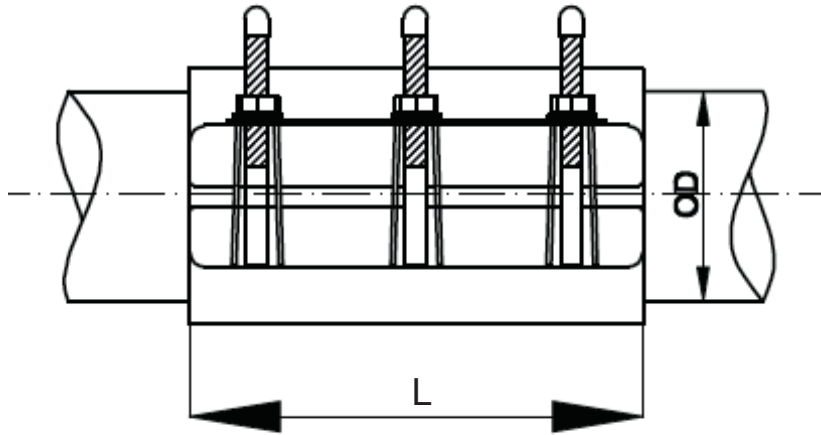
Follow fitting / disassembly instructions

TWO PIECE BODE WAFFLE GASKET
EASY 20 OD 88.0 - OD 530.0



Pressure		
Pipe Outside Diameter (mm)	Working Pressure (bar)	
	Water	Gas
88 - 282	16	4
295 - 530	10	3

**TWO PIECE BODY WAFFLE GASKET
EASY 20 OD 88.0 - OD 530.0**



Materials / Components			
Clamping Range	Body	Threads	Sealing Sleeve
20 mm	AISI 304 AISI 316	AISI 304 AISI 316 teflon coated	EPDM (Waffle Type)
			NBR (Waffle Type) optional

Remarks:

Any other size available
Follow fitting / disassembly instructions