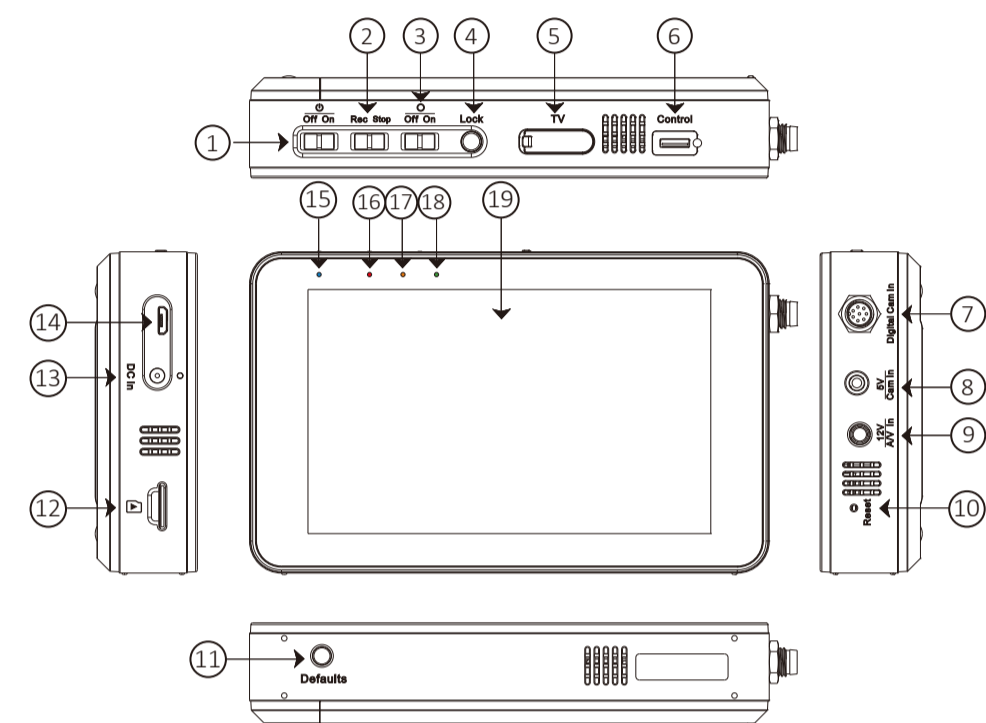


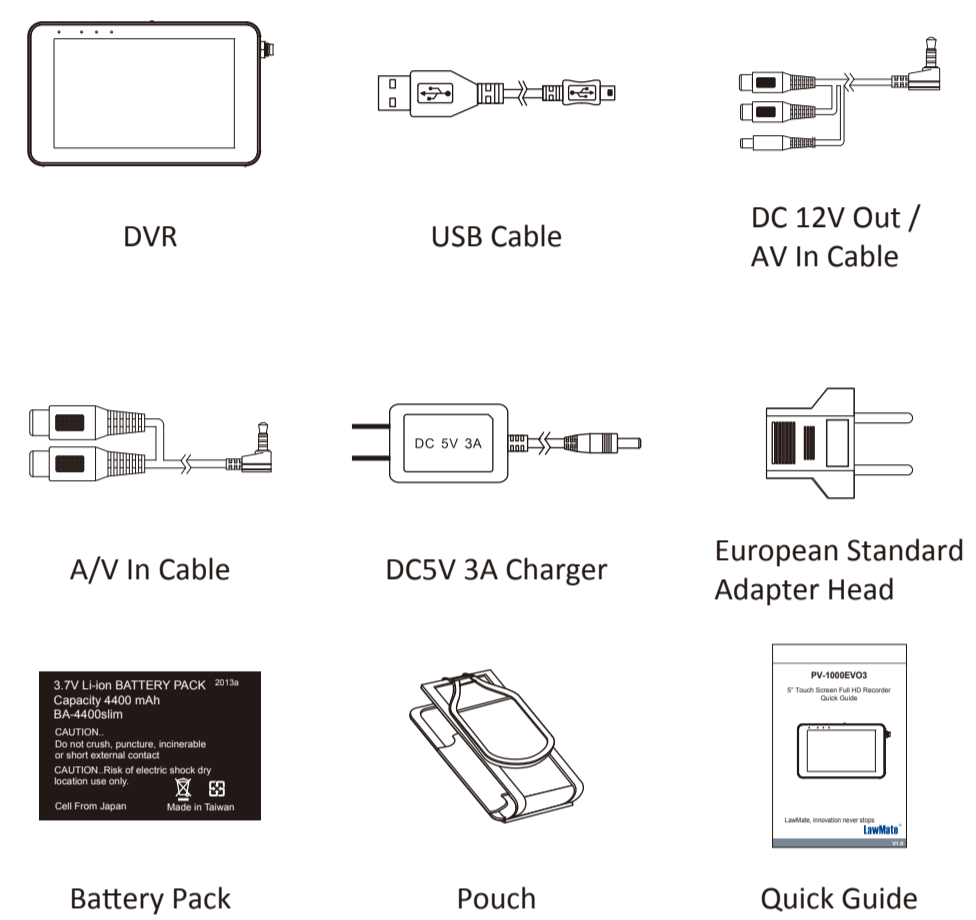
1. Names and Parts



- | | | |
|------------------------|----------------------|----------------------------------|
| 1. Power Button | 8. Analog Cam In | 15. Power - Blue LED |
| 2. Stop/Rec Button | 9. 12V Cam In | 16. Rec. - Red LED |
| 3. Wi-Fi On/Off Switch | 10. Reset Button | 17. Wi-Fi Searching - Orange LED |
| 4. Screen Lock | 11. Defaults Button | 18. Wi-Fi Connected - Green LED |
| 5. Digital AV Out | 12. Memory Card Slot | 19. 5" Touch Screen |
| 6. Controller Port | 13. DC5V 3A In | |
| 7. Digital Cam In | 14. USB Port | |

1

2. Package Content



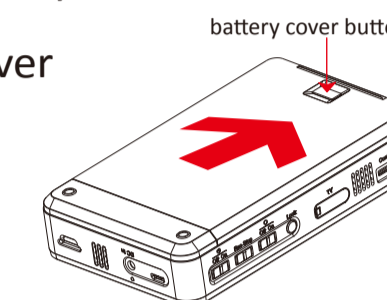
- ※ Note: Only use the supplied AC/DC charger to charge the DVR.
- ※ Do not remove serial number sticker!
Warranty is invalid if the sticker is tampered.

2

3. Install and Charge the Battery

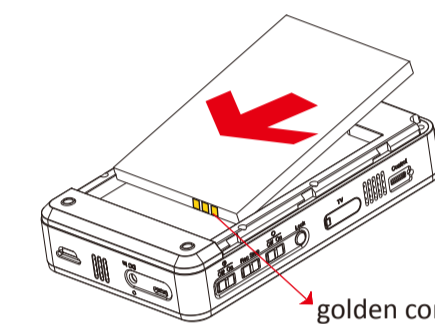
3.1. Remove the battery cover

Press the battery cover button and slide the rear cover at the direction of the red pointing-arrow.



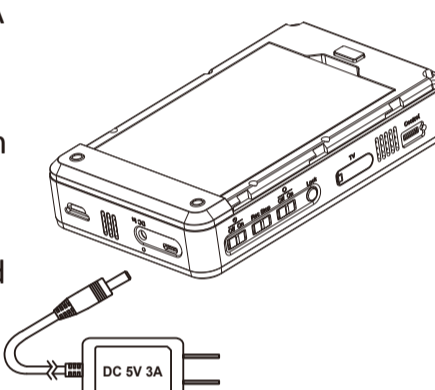
3.2. Insert the battery

Align the golden contacts of the supplied battery with corresponding connectors on the device, then slide in the battery until it fits into place.



3.3. Charging the battery

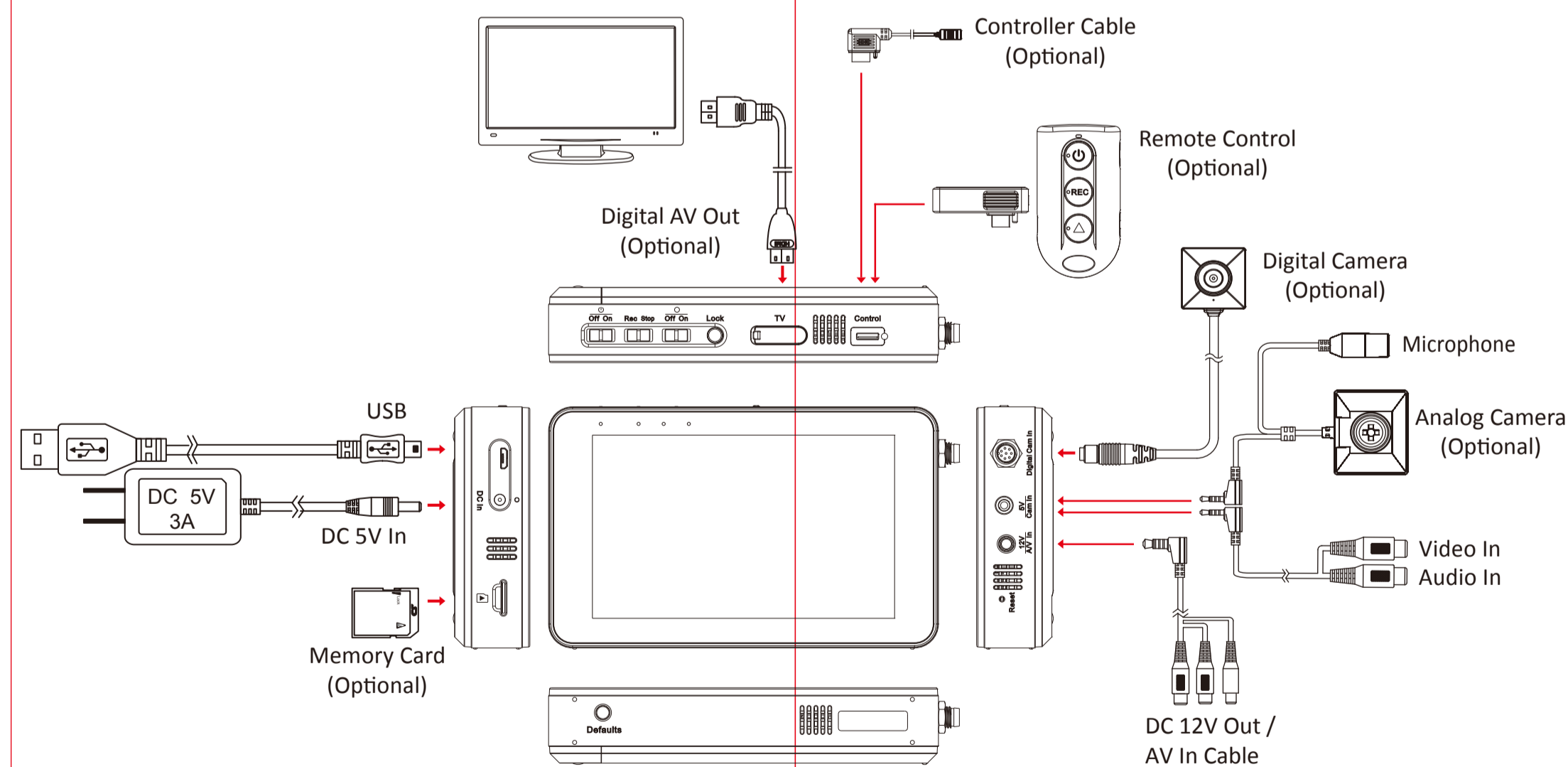
Plug the supplied DC 5V 3A charger to an AC wall outlet, then connect the other end of the power cord to the DC IN socket on the side of PV-1000EVO3. The red LED indicator will illuminate on when the battery is charging. The red LED will turn off when battery is fully charged.



Note: Always power on and off the DVR once after installing a new battery, failing to do so might result in charging failure.

3

4. PV-1000EVO3 Connection Illustration



- Note: CMD-BU20LX is the only compatible digital camera for PV-1000EVO3.
- Note: When connecting to a DC 12V camera, the power consumption of the camera should not exceed 150mA.

4

5

PV-1000EVO3 Dual Cam Input 1080p Wi-Fi DVR Quick Guide



LawMate, innovation never stops

LawMate[®]

V1.0