

**SPECIFICATII TEHNICE LOTUL NR 16 – Microscop de laborator binocular cu 4 obiective**

Nr. d/o	CERINȚE TEHNICE - Specificarea tehnică deplină solicitată, Standarde de referință	DA/NU	OBSERVATII – Specificatia tehnica a produsului oferat
<b>16</b>	<b>Microscop de laborator binocular cu 4 obiective</b>		
	<b>Parametrul - specificatia</b>		
	An producere: 2021	Da	Declaratie atasata
	Stand destinat studiilor în laboratorul clinic.	Da	Superior: Protejat antimicrobian cu vopsea pe baza de Argint. Echipament de laborator : <b>Certificat de conformitate Pag 1 Ref 1, Brosura DM 500 pag 6,10, 11 Ref 1</b>
	Tip iluminare: LED, Koehler	Da	Sistem de iluminare tip LED, <b>Brosura DM 500, Pag 4 Ref 3.</b> Kohler Superior, condensorul Abbe este precentrat -prefocusat fiind eliminata necesitatea ajustarii Kohler. Este gata de lucru fara ajustari gresite. <b>Brosura DM 500, Pag 4 Ref 3.</b>
	Masă specimen: ceramică sau cu acoperire ceramică, pentru operare cu mâna dreaptă cu acționare coaxială pentru deplasarea pe X și Y.	Da	Masa specimen rezistentă la zgărieturi pentru operare mână dreaptă (RH-Right Handle) cu acționare coaxială pentru deplasarea pe X și Y. <b>Brosura DM 500, Pag 9, 10 Ref 4</b>
	Fixator de probe (lamele) universal pentru un singur specimen, detașabil	Da	Fixator de probe universal pentru un singur specimen <b>Brosura DM 500, Pag 10 Ref 5</b>
	Manete focusare și poziționare masă specimene plasate echidistant de utilizator, amplasate în partea inferioară a	Da	Manete focusare și poziționare masă plasate echidistant de utilizator, plasate în partea inferioară a microscopului. <b>Brosura DM 500, Pag 6, 8</b>

microscopului.		<b>Ref 6</b>
Focusare fină( $\leq 2 \mu\text{m}$ ) și grosieră	Da	Superior Sistem de autoajustare a mecanismului de focusare fina <b>Brosura DM 500, Pag 10 Ref 7</b> Focusare grosiere(macroviza) <b>Brosura DM 500 pag 8 Ref 6</b>
Sistem optic: infinit, cu corecție de culoare	Da	Sistem optic infinit, cu corectie de culoare <b>Brosura DM 500 , PAG 18 Ref 8</b>
Tehnici de contrast: Brightfield, Darkfield(optiune), Phase contrast(optiune), Polarized light(optiune)	Da	Tehnici de contrast: Brightfield, Darkfield(optiune), Phase contrast(optiune), Polarized light(optiune) <b>Brosura DM 500, Pag 4 Ref 9</b>
Tub binocular: cu unghi de înclinare 30° sau ajustabil, rotire 360°, cu ajustarea distanței interpupilare în diapazonul minim 52-75 mm, tip Siedentopf;	Da	Tub binocular: cu unghi de înclinare 30° sau ajustabil, rotire 360°, cu ajustarea distanței interpupilare în diapazonul minim 52-75 mm, tip Siedentopf, binoculare in forma de V; <b>Brosura DM 500, Pag 8,9, 10 Ref 10</b>
Oculare: 10x/22 – 2 buc.(cel puțin unul cu focusare)	Da	Superior:Cap binocular cu oculare presetate pentru evitarea erorilor incorecte a diptriilor, oculare 10x/20 set cu pointer <b>Brosura DM 500, Pag 4 10 Ref 11 Draft configurator DZ 2041 Pag 1 Ref 11</b>
Turelă rotativă: pentru $\geq 4$ obiective	Da	Turela rotativa cu 4 pozitii: <b>Draft configurator DZ 2041 Pag 1 Ref 12</b>
Obiective Plan Achromat, din sticlă: 10x, 20x, 40x, 100x/1.25 Ulei	Da	Obiective Plan Achromat, din sticlă: 10x, 20x, 40x, 100x/1.25 Ulei <b>Draft configurator DZ 2041 Pag 1 Ref 13</b>
Condensator tip Abbe prefocusat și precentrat, NA 0.9/1.25 ulei, codificat prin culori sau cu indicarea tipului de obiectiv, cu fantă pentru slider de contrast	Da	Condensator tip Abbe prefocusat și precentrat, NA 0.9/1.25 ulei, codificat prin culori sau cu indicarea tipului de obiectiv, cu fantă pentru slider de contrast <b>Brosura DM 500, Pag 4,10 Ref 14</b>
Unitatea de alimentare încorporată	Da	Unitatea de alimentare încorporată <b>Draft configurator DZ 2041 Pag 1 Ref 15</b>
Accesorii: Ulei de imersie – o sticlăuță, husă - 1 buc.	Da	Accesorii: Ulei de imersie – o sticlăuță, husă - 1 buc. <b>Draft configurator DZ 2041 Pag 1 Ref 16</b>
Cerințe de certificare: Certificat CE sau declarație de conformitate CE cu anexele corespunzătoare pentru produsele oferite, valabil, copie confirmată prin semnatura și ștampila participantului.	Da	Vezi declaratia atasata

Declarație de la Ofertant – confirmată prin semnatura și ștampila, în care să certifice termenul de garanție pentru echipament și accesorii nu mai mic de 36 luni din momentul instalării/darii în exploatare a bunului.	Da	Vezi declaratia atasata
Instalare, darea în exploatare de către participantul câștigător-obligatoriu	Da	Vezi declaratia atasata
Ghid rapid al utilizatorului (max. 4 pagini A4), in limba de stat-obligatoriu.	Da	Vezi QuickStartGuide

From Eye to Insight



Educational Compound Microscopes

# A NEW GENERATION'S CHOICE OF INNOVATIVE EDUCATIONAL MICROSCOPES

Leica DM500 & DM750



# MADE FOR FUTURE NOBEL PRIZE WINNERS

## Science Teaching Revitalized

The more time the instructor has to teach, the more students can learn. The Leica DM500 and Leica DM750 microscopes were specifically developed to revitalize science teaching and to achieve the goal of more hands-on time for Life Science courses. With many student-friendly features and high-quality construction, the Leica DM500 and Leica DM750 invigorate science learning and teach the next generation of scientists effectively and efficiently.

### SUPERB OPTICS

---

- › Based on the same optical platform as Leica Microsystems' research microscope line, students enjoy outstanding optical performance with full access to virtually all accessories from Leica's microscope product line.
- › NEW! 100× dry (no oil needed) objective provides very high resolution (N.A. 0.8) while eliminating the need for oil.

### EZLITE™

---

- › LED illumination provides cool, white light with a lifetime of over 20 years average use. There is no need to change lamps during lab time, and this saves the expense of replacement lamps as well.
- › The cost-savings pays for several microscopes over their lifetimes.

### SAFETSTAGE™

---

- › Microscope stage maintains its dimension, which eliminates the chance of injury from contact with a conventional stage rack.
- › Rounded edges are easy on the skin.

### EZSTORE™

---

- › Integrated vertical handle provides easy carrying and lifting when storing on high shelves; undercut on front of stand works in combination with the handle for safer, two-handed carrying.
- › Integrated cord wrap eliminates damage to microscope components from improper cord wrapping; vertical cord insertion prevents the cord from pulling partially out of the stand while in storage or in use.
- › The unique shape of the microscope stand protects controls from damage when microscopes are stored side-by-side.

### EZGUIDE™

---

- › Student friendly slide holder helps prevent slide chipping

### USB POWER CONNECTOR

---

- › Providing power to the Leica USB cameras is extremely easy. Simply connect the camera via the provided USB cable to the 5 V/1.5 A USB power connector on the rear of the Leica DM500 and Leica DM750 stand. This saves the cost of an external power supply for the camera plus reduces the complexity at the workstation.

### AGTREAT™

---

- › The possible contamination with germs from surfaces is of great concern, especially in educational environments. Leica Microsystems has integrated an additive to the material of all microscope touchpoints to inhibit the growth of bacteria. This helps prevent the spread of disease via the microscope surfaces and leads to a healthier laboratory environment.



# LEICA DM500 – SCIENCE TEACHING MADE EASY

The Leica DM500 is ideal for entry level Life Science courses. The microscope's stand provides "plug and play" capability. All students need to do is turn the power on, place the specimen slide on the stage, focus, and enjoy the view!



Ref 6

Ref 14

**READY TO WORK**

Ref 3

- › Pre-centered, pre-focused Abbe condenser eliminates the need for adjustments

**EZTUBE™**

- › Eyepieces integrated with the eyetubes prevents loss
- › Preset diopter adjustments eliminates the risk of incorrectly setting the diopters

Ref 11

- › Other viewing tubes are also available

**SAFER ROTATION**

- › Captive thumbscrew for safer rotation of the EZTube™

Ref 9

**ALL IN ONE**

- › Abbe Condenser with slot for phase contrast and darkfield sliders, including a 4 position phase slider, which offers brightfield and phase capabilities all in one slider

**PERFECT LIGHT** Ref 3

- › LED illumination designed to provide even lighting across the full field of view without adjustments

# LEICA DM750 – SCIENCE TEACHING FOR A NEW GENERATION

The Leica DM750 is designed specifically for the versatile needs of advanced Life Science courses and for professional training such as medical, veterinary, and dental schools.

## VERSATILE

- › Standard condenser for magnifications 4× – 100×
- › Phase turret condenser for brightfield and phase contrast
- › Flip top condenser for low magnifications
- › The Leica DM750 is available with a 4 position or 5 position nosepiece



## WEAR RESISTANT

- › Special stage finish offers additional protection from friction damage

## ENERGY SAVING

- › Time delay shutoff saves energy by automatically turning off the illumination after 2 hours of no use



## A+ FOCUS, CONTRAST & ILLUMINATION

- › Weighted focus knobs provide inertia and extremely accurate focus capability
- › Koehler field diaphragm available as an option for optimum illumination and contrast



## SHARED VIEWING MADE EASY

- › Variety of viewing tubes provides free rotation while securely fixed to the stand
- › Standard viewing tubes with eyepiece locking screws prevent loss of eyepieces





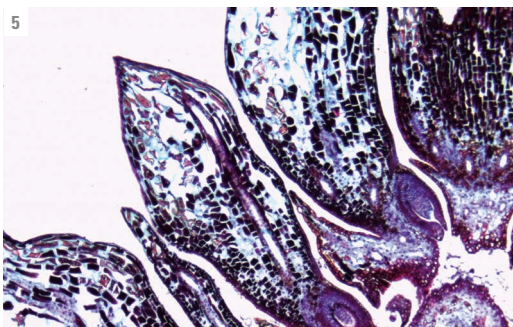
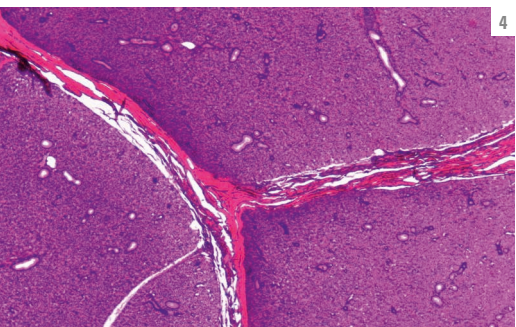
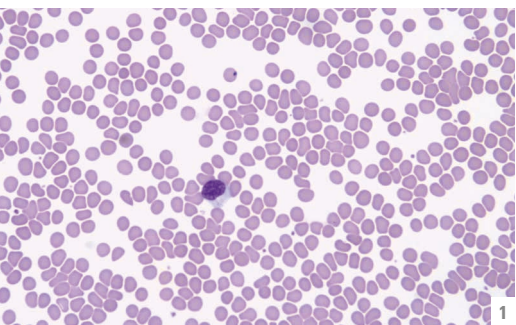
# GO WIRELESS!

Ref 1

The ability to share, capture, and archive images is an important part of the microscopy laboratory. The Leica DM500 and Leica DM750 are compatible with the full range of Leica Microsystems imaging solutions, allowing you to select the camera which best suits the demands of your classroom. Keep students on topic and maximize learning time with the NEW Leica ICC50 W/ E High Definition Wireless camera module.

## THE ICC50 W/ E CAMERA MODULE – INTEGRATED & MODULAR

- › In Ethernet mode, the connection to the camera is provided through your own network, allowing a maximum number of users to connect to the camera. To use this to full extent, all devices have to be on to same network as the microscope.
- › In USB mode you can connect your PC directly via USB cable to the camera, which is helpful when you aim for fastest live images e.g. of moving samples.
- › Computer users can use the Leica Imaging software to connect to the camera and work with the images. For PC use Leica Application Suite software, and use Leica Acquire for MAC.
- › Use lots of options with Leica AirLab App: It enables camera setup, annotations, measuring, image capture, and sharing to email, photo folders, or other social media connections.
- › Leica AirLab App is available free of charge for Android and iOS devices.
- › Stay flexible if there is no PC or mobile device around: Just capture images directly onto a memory card.
- › Fine-tune camera settings conveniently, capture images onto the SD card, and view the SD card gallery – all possible with the remote.
- › Project your images: Use the HDMI port for screen projections or output to HD screens.
- › You don't need any extra power cables: The camera is powered directly from the microscope stand with a USB cable.





Students can connect to the Leica ICC50 W either through its own **internal Wi-Fi signal** using Wi-Fi mode or through the facilities' network using Ethernet mode.



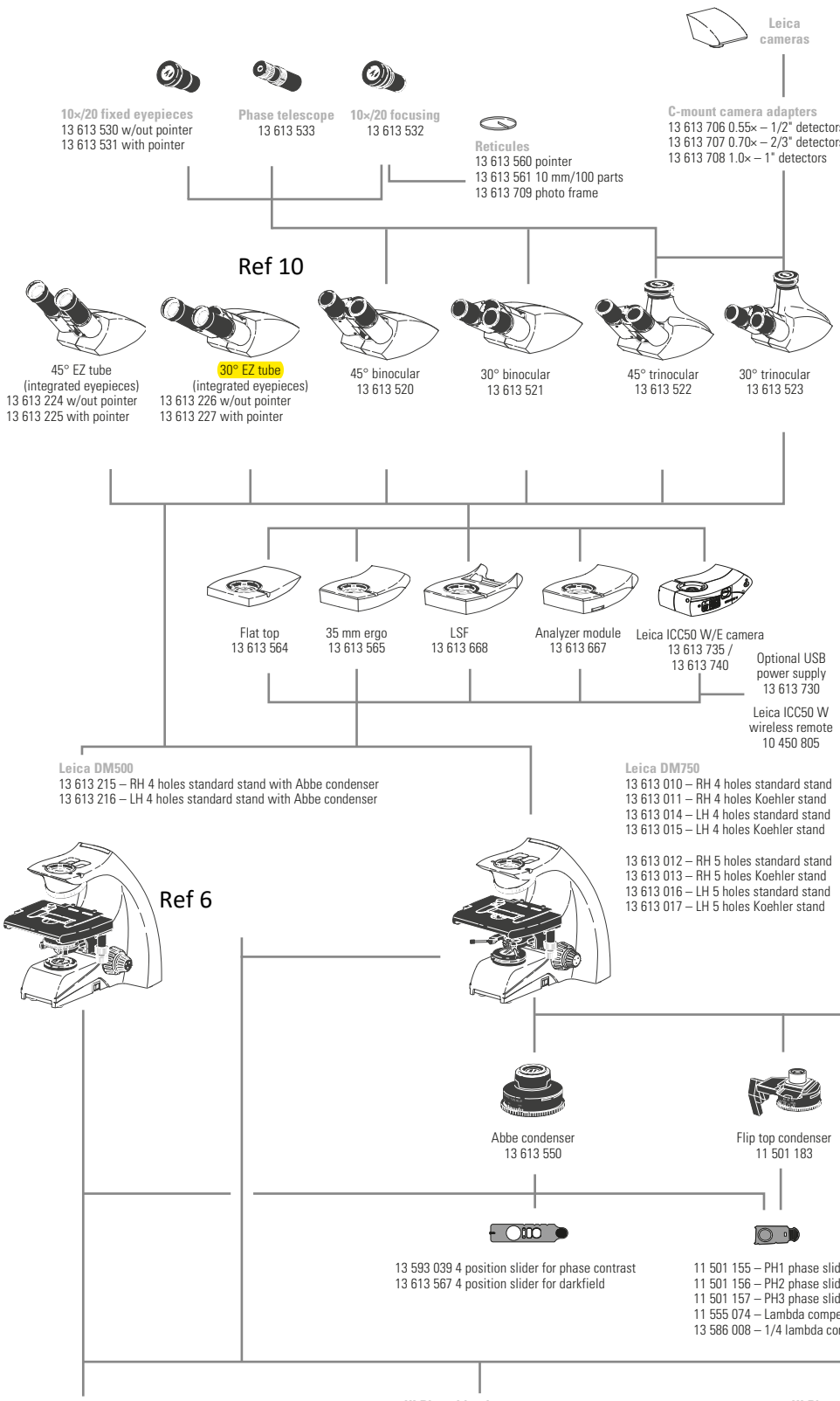
The ICC50 E **exclusively** uses your facilities' **network (WLAN or LAN)** to allow students to connect to the camera. This is an ideal solution if you don't want to add additional Wi-Fi access points to your network.



- 1: Human Blood
- 2: Convallaria – Lily of the Valley
- 3: Giant Chromosomes
- 4: Parotid Gland
- 5: Pine
- 6: Taste Buds

Leica DM750 with Leica ICC50 W digital microscope camera

# SYSTEM DIAGRAM



- 13 613 563 Eyeguard pair
- 13302138946910 Fuses for Leica DM500, Leica DM750
- 13 613 571 Thumbscrew pair for Leica DM750 condenser mount
- 13 613 572 Set screw pair for Leica DM750 condenser mount
- 13 613 584 Dust cover Leica DM500, Leica DM750
- 13 613 210-100 Leica DM500 User documents
- 13 613 510-100 Leica DM750 User documents
- 13 613 735-100 Leica ICC50 W user documents
- 13 613 573 Add-on lens for condensers for Leica DM750 (included with stand)

- Analyzer module sliders**
- 11 555 045 Fixed analyzer slider
  - 11 555 079 180° rotatable analyzer slider
  - 11 555 080 360° rotatable analyzer slider

- Others**
- 13 613 262 Captive thumbscrew for EZ tube
  - 13 613 261 Rubber grips for X/Y controls
  - 13 614 800 Immersion oil
  - 11 513 106 Stage micrometer
  - 11 505 091 Diffuser slider for using 2.5x objective with Abbe condenser
  - 11 505 507 Auxilliary lens for using 2.5x objective with 11 501 183 flip top condenser
  - 13 613 566 32 mm filter holder
  - 13 613 263 Hard carrying case
  - 10 450 245 Soft carrying case
  - 13 613 562 Simple pol kit

- International power cords**
- 13 613 900 U.S.
  - 13 613 901 Europe Continental
  - 13 613 902 U.K.
  - 13 613 903 Switzerland
  - 13 613 904 Denmark
  - 13 613 905 Italy
  - 13 613 906 Australia
  - 13 613 907 China
  - 13 613 908 Japan
  - 13 613 909 Israel
  - 13 613 910 South Africa
  - 13 613 911 India
  - 13 613 912 Argentina

- Plan objectives**
- 13 613 240 – Plan 4x/0.10 NA, 26.2 mm\*
  - 13 613 241 – Plan 10x/0.22 NA, 7.8 mm\*
  - 13 613 242 – Plan 40x/0.65 NA, 0.31 mm\*
  - 13 613 243 – Plan 100x/1.25 NA, 0.10 mm\*, oil
- \* working distance

- HI Plan objectives**
- 11 506 226 – HI Plan 4x/0.10 NA, 18.0 mm\*
  - 11 506 228 – HI Plan 10x/0.25 NA, 12.0 mm\*
  - 11 506 276 – HI Plan 20x/0.40 NA, 0.92 mm\*
  - 11 506 236 – HI Plan 40x/0.65 NA, 0.36 mm\*
  - 11 506 237 – HI Plan 63x/0.75 NA, 0.31 mm\*
  - 11 506 238 – HI Plan 100x/1.25 NA, 0.10 mm\*, oil
  - 11 506 386 – HI Plan 100x/0.80 NA, 0.3 mm\* dry objective
- \* working distance

- HI Plan phase objectives**
- 11 506 230 – HI Plan phase 10x/0.25 NA, 12.0 mm\*
  - 11 506 278 – HI Plan phase 20x/0.40 NA, 0.92 mm\*
  - 11 506 240 – HI Plan phase 40x/0.65 NA, 0.36 mm\*
  - 11 506 241 – HI Plan phase 100x/1.25 NA, 0.10 mm\*, oil
- \* working distance

# PRECONFIGURED OUTFITS

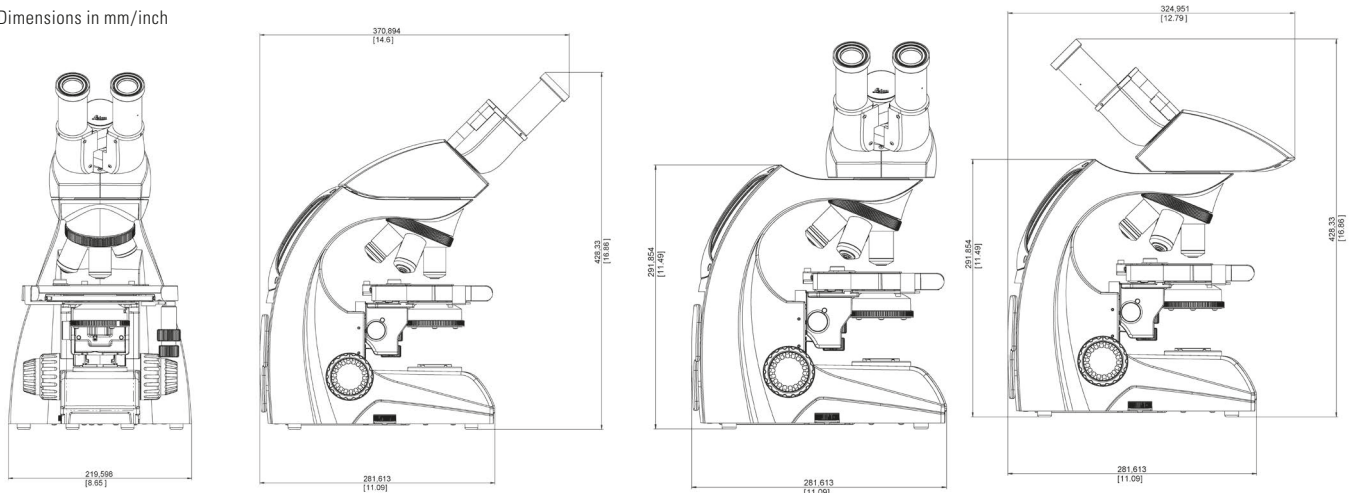
OUTFIT ORDERING NUMBER	13 613 207	13 613 208	13 613 403	13 613 406	13 613 001	13 613 004	13 613 002	13 613 005
	DM500	DM500	DM750	DM750	DM750	DM750	DM750	DM750
<b>STANDS</b>								
	<b>Ref 4</b>							
13 613 215	DM500 RH Stand with Abbe condenser	X	X					
13 613 010	DM750 RH Stand			X	X	X		
13 613 011	DM750 RH Stand Koehler						X	X
<b>TUBES</b>								
13 613 224	45° EZ tube	X		X				
13 613 225	45° EZ tube with pointer		X		X			
13 613 520	45° binocular tube					X	X	X
<b>EYEPIECES</b>								
13 613 530	10×/20 eyepiece w/eyeguard					X		X
13 613 531	10×/20 pointer eyepiece w/eyeguard						X	X
13 613 532	10×/20 focusing eyepiece w/eyeguard					X	X	X
<b>CONDENSERS</b>								
13 613 550	Abbe condenser 0.9 Dry/1.25 oil			X	X	X	X	X
<b>OBJECTIVES</b>								
13 613 240	Plan 4×/0.10 NA, 26.2 mm W.D.	X	X	X	X			
13 613 241	Plan 10×/0.22 NA, 7.8 mm W.D.	X	X	X	X			
13 613 242	Plan 40×/0.65 NA, 0.31 mm W.D.	X	X	X	X			
13 613 243	Plan 100×/1.25 NA, 0.10 mm W.D., oil	X	X	X	X			
11 506 226	HI Plan 4×/0.10 NA, 18.0 mm W.D.					X	X	X
11 506 228	HI Plan 10×/0.25 NA, 12.0 mm W.D.					X	X	X
11 506 236	HI Plan 40×/0.65 NA, 0.36 mm W.D.					X	X	X
11 506 238	HI Plan 100×/1.25 NA, 0.10 mm W.D., oil					X	X	X
13 614 800	Immersion oil	X	X	X	X	X	X	X

**POWER CORD NOT INCLUDED:** Must be ordered separately

# DIMENSIONS LEICA DM500 / DM750

Dimensions in mm/inch

Ref 10



# SPECIFICATIONS LEICA DM500 / DM750

	DM500	DM750		DM500	DM750
<b>SEPARATE EYEPIECES</b>			<b>SAFETSTAGE™</b>		
High eyepoint	X	X	Stage surface 185 mm (150 mm front) wide × 140 mm deep	X	X
10×/20 (20 mm field of view)	X	X	Rounded stage edges	X	X
Available with or without pointer	X	X	Non extending rack	X	X
Available fixed or focusing	X	X	Verniers for X/Y coordinates	Ref 4	X
Focusing eyepieces with reticule holder for 24.5 mm reticle	X	X	Wear resistant stage surface	X	X
Foldable eyeguards	X	X	<b>CONDENSER</b>		
30 mm mounting diameter	X	X	Prefocused and precentered Abbe condenser	Ref 14	X
<b>EZTUBE™</b>			Centerable and focusable condenser mount		X
Preset diopters for corrected vision	X	X	Slot in Abbe condenser for contrast sliders	X	X
45 degree viewing angle	X	X	(phase, darkfield, compensator)	Ref 14	
10×/20 (20 mm field of view)	X	X	Magnification labels on condenser	X	X
Attaches to stand with set screw	X	X	Standard Leica condenser mount for condensers		X
Captive thumbscrew available for safer rotation	X	X	(Abbe, turret, flip top, etc.)		
Eyepieces are integrated with tube	X	X	<b>FOCUS</b>		
Available with pointer and without pointer	X	X	Low position focus controls	X	X
Interpupillary distance range 52 mm – 75 mm	X	X	Self adjusting focus mechanism	X	X
<b>OTHER VIEWING TUBES FOR SEPARATE EYEPIECES</b>			300 microns per fine focus rotation	X	X
45 degree, 30 degree, trinocular	Ref 10	X	Calibrated in 3 micron increments	X	X
Maximum field of view 20 mm	X	X	Weighted focus knobs		X
Rotatable dovetail	X	X	<b>EZLITE™</b>		
Leica tube dovetail standard	X	X	Preset field aperture only	X	
Eyepiece locking screw	X	X	Available with or without adjustable Koehler field diaphragm		X
Interpupillary distance range 52 mm – 75 mm	Ref 10	X	LED Illumination – 6 000 K temp, 25 000 h life at full intensity	X	X
<b>STAND</b>			Continuous intensity adjustment	X	X
Stand shape protects controls	X	X	Illumination sufficient for viewing at lowest intensity	X	X
Stand construction – die-cast aluminium	X	X	Simple polarizing kit available	X	X
External fuses	X	X	2 hour Auto Off (can be disabled or enabled)		X
Knurled nosepiece	X	X	Auto Off default: 4 hole stands enabled, 5 hole stands disabled		X
4 position nosepiece only	X		<b>IMAGING</b>		
4 or 5 position nosepiece available		X	Trinocular tubes available (50 %/50 % light split)	X	X
Drop in holder for 32 mm mounted or unmounted filters	X	X	C-mount adapters with standard Leica mount	X	X
5 V/1.5 A USB power supply to power camera	X	X	Leica ICC50 W intermediate camera module (50 %/50 % light split)	X	X
<b>EZSTORE™</b>			<b>INTERMEDIATE MODULES</b>		
Vertical handle	X	X	35 mm intermediate ergo module available	X	X
Undercut in front of stand	X	X	15 mm flat top module	X	X
Cord wrap	X	X	Module for LSF reflected light illuminator	X	X
Vertical cord attachment to stand	X	X	Analyzer module	X	X
<b>OBJECTIVES</b>			<b>AGTREAT™</b>		
Infinity optics platform	Ref 8	X	Anti microbial treatment	X	X
100× dry objective with N.A. 0.8 (no correction collar)	X	X	<b>CERTIFICATIONS</b>		
Objective labeling laser engraved (HI Plans)	X	X	cULus, CE, RoHS	Ref 1	X
M25 nosepiece thread	X	X	Main optical components meet ISO 9022-11 for Mould Growth	X	X
<b>EZGUIDE™</b>			<b>SHIPPING</b>		
One-handed slide loading	X	X	Dimensions: 40 cm × 37 cm × 39 cm (H×D×W)	X	X
26 mm × 76 mm stage travel	X	X	Weight: 9 kg	X	X

# CLEAN AND GREEN



WE ACTIVELY IMPLEMENT WAYS TO MAKE OUR ENVIRONMENT CLEANER AND SAFER FOR THIS GENERATION AND THE NEXT

SEE MORE AT [WWW.LEICA-MICROSYSTEMS.COM/EDUCATION](http://WWW.LEICA-MICROSYSTEMS.COM/EDUCATION)

- › All packaging is completely recyclable
  - › No lead content in any of the glass components
  - › LED illumination consumes approximately 80 % less energy than standard halogen illumination
  - › The time delay shut-off feature found on the Leica DM750 ensures no energy is wasted
  - › Constantly optimizing our logistics chain keeps the CO<sub>2</sub> footprint as low as possible
  - › AgTreat™ helps prevent the spread of disease via microscope surfaces and leads to a healthier laboratory environment
  - › All products have been tested by independent safety laboratories and carry the cULus and CE mark to indicate their design for safety
  - › All products are RoHs compliant, which means all electrical components meet restrictions on the use of hazardous substances
- › Interactive tour of the Leica DM500 and Leica DM750
  - › Leica E-Series stereomicroscopes for low magnification inspection, dissecting, and image capture
  - › Leica DM750 P Polarizing Microscope for Earth and Materials Science education
  - › Leica DM750 M Microscope for Metallography
  - › Selection of higher level microscopes for research
  - › A selection of instructional booklets, which are free of charge

Ref 1



Leica Microsystems (Schweiz) AG · Max-Schmidheiny-Strasse 201 · 9435 Heerbrugg, Switzerland  
T +41 71 726 34 34 · F +41 71 726 34 44

[www.leica-microsystems.com](http://www.leica-microsystems.com)

CONNECT  
WITH US!



# DRAFT

QUOTATION DZ2041

Date

5 / Jul / 2021

Sales Person Medist Grup SRL

Item	Description	Qty	Total EUR
------	-------------	-----	--------------

Leica DM500

Features & Benefits:

Ref 11

- Optional EZTube™ with preset diopter avoids incorrect adjustments
- EZStore™ design with Handle and cord wrap allows easy carrying, easy lifting, and protection against microscope component damage
- Pre-focused and pre-centered condenser eliminates the chance the students will make improper settings.
- Leica EZLite™ LED illumination saves the cost of replacement lamps and provides a cool white light for over 20 years of average use



## Stand

Ref 12

100	<p><b>DM500 Rt.Hnd.Stage Std Stand w/condense</b>            DM 500 Right Hand Stage Standard Stand with 4 position nosepiece, Universal Power Supply plus USB Power with integrated connector, mechanical stage with non extending rack and slide holder, Pre-Centered and Pre-Focused Abbe condenser with slot for Phase and Darkfield Sliders and labels for matching objective magnifications, LED illumination, built in handle and cord wrap, Dust cover, User Manual - Note: appropriate Power Cord must be ordered separately</p> <p><b>No : 13613215</b></p>	1	
-----	---	---	--

## Tube

200	<p><b>30 degree Binocular Tube</b>            30 degree Binocular Tube  <b>No : 13613521</b></p>	1	
-----	--	---	--

## Eyepieces

300	<p><b>10X/20 eyepiece w/eyeguard</b>            10X/20 eyepiece w/eyeguard  <b>No : 13613530</b></p> <p>Ref 11</p>	1	
400	<p><b>10X/20 Pointer eyepiece w/eyeguard</b>            10X/20 Pointer eyepiece w/eyeguard</p>	1	



Item	Description	Qty	Total EUR
	No : 13613531		

**Objectives**

500	<p><b>Obj. HI PLAN 10x/0.25</b>                      Objective HI PLAN 10x/0.25                      Free working distance: 12.0 mm                      For use with and without Cover Glass Ref 13  <b>No : 11506228</b></p>	1	
600	<p><b>Obj. HI PLAN 20x/0.40</b>                      Objective HI PLAN 20x/0.40 Free working distance: 0.9 mm                      For use with a 0.17 mm Cover Glass (DIN/ISO)                      Not suitable for Incident Light, except Fluorescence  <b>No : 11506276</b></p>	1	
700	<p><b>Obj. HI PLAN 40x/0.65</b>                      Objective HI PLAN 40x/0.65                      Free working distance: 0.36 mm                      For use with a 0.17 mm Cover Glass (DIN/ISO)  <b>No : 11506236</b></p>	1	
800	<p><b>Obj. HI PLAN 100x/1.25 OIL</b>                      Objective HI PLAN 100x/1.25 OIL                      Free working distance: 0.10 mm                      For use with a 0.17 mm Cover Glass (DIN/ISO)                      Not suitable for Incident Light, except Fluorescence  <b>No : 11506238</b></p>	1	

**Accessories**

900	<p><b>Immersion oil, 7,4 ml</b> Ref 16  <b>No : 13614800</b></p>	1	
-----	--	---	--

**Power Cables**

1000	Europe Continental power cord	1	
------	-------------------------------	---	--

**QUOTATION** DZ2041

**Date**

5 / Jul / 2021

---

<b>Item</b>	<b>Description</b>	<b>Qty</b>	<b>Total EUR</b>
-------------	--------------------	------------	----------------------

---

**Validity : 05/07/21 to 04/08/21**

# CERTIFICATE OF COMPLIANCE

**Certificate Number** 20140926-E306713  
**Report Reference** E306713-A10-UL  
**Issue Date** 2014-SEPTEMBER-26

**Issued to:** LEICA MICROSYSTEMS (SCHWEIZ) AG  
MAX SCHMIDHEINY-STRASSE 201  
CH-9435 HEERBRUGG SWITZERLAND


**This is to certify that representative samples of** LABORATORY USE ELECTRICAL EQUIPMENT  
Microscope- DM 500 LH,DM 500 RH

Have been investigated by UL in accordance with the Standard(s) indicated on this Certificate.

**Standard(s) for Safety:** UL 61010-1, 3rd Edition, 2012-05-11 (ELECTRICAL EQUIPMENT FOR MEASUREMENT, CONTROL, AND LABORATORY USE - Part 1: General Requirements)  
CAN/CSA-C22.2 No. 61010-1, 3rd Edition, 2012-05, (ELECTRICAL EQUIPMENT FOR MEASUREMENT, CONTROL, AND LABORATORY USE - Part 1: General Requirements)

**Additional Information:** See the UL Online Certifications Directory at [www.ul.com/database](http://www.ul.com/database) for additional information

Only those products bearing the UL Listing Mark for the US and Canada should be considered as being covered by UL's Listing and Follow-Up Service meeting the appropriate requirements for US and Canada.

The UL Listing Mark for the US and Canada generally includes: the UL in a circle symbol with "C" and "US" identifiers:  the word "LISTED"; a control number (may be alphanumeric) assigned by UL; and the product category name (product identifier) as indicated in the appropriate UL Directory.

Look for the UL Listing Mark on the product.



William R. Carney, Director, North American Certification Programs  
UL LLC

Any information and documentation involving UL Mark services are provided on behalf of UL LLC (UL) or any authorized licensee of UL. For questions, please contact a local UL Customer Service Representative at [www.ul.com/contactus](http://www.ul.com/contactus)



