

# EL Series Ultraviolet Hand Lamps

## User's Guide

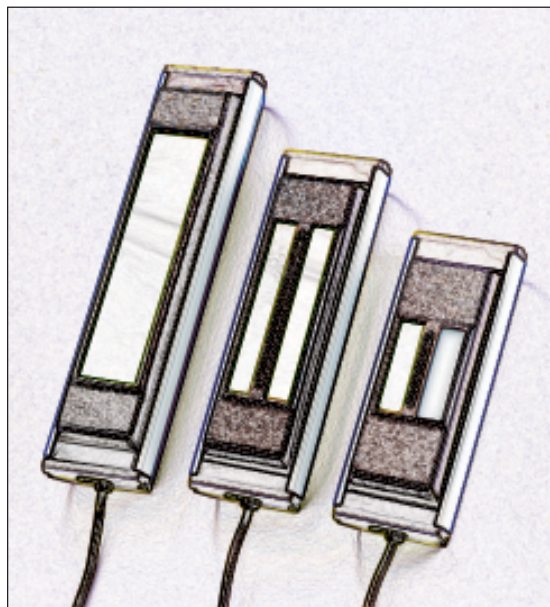
---

### Introduction

The EL Series of Ultraviolet Lamps offer a uniform and intense source of ultraviolet light (radiation). The lamps emit one of three UV wavelengths or white light in four watt, six watt and eight watt configurations for exposure/illumination of materials. All EL Series Lamp models can be used with the universal J138 Lamp Stand. The four watt models can be used with C-10E Cabinet for viewing materials in a darkroom environment. Eight watt lamps can be used with the C-65 Cabinet.

### Important Safety Information

Caution: Shortwave and midrange UV radiation will cause damage to unprotected eyes and skin. Before operating any unit, be sure all personnel in the area are properly protected. UV Blocking Eyewear should be worn as well. UVP has a complete line of UV Blocking Eyewear: Spectacles, Goggles and Faceshield designed for this purpose.



### Operation

Plug power cord into a properly grounded electrical outlet. The proper voltage of the lamp is found on the product information label.

A rocker switch is conveniently located on top of the unit to turn the lamp on or off. For models with multiple wavelengths, the rocker switch accommodates for the selection of wavelength or to shut the unit off.

Each lamp comes with two UV tubes or one UV and one white light tubes; the UVLSM-38 is equipped with three tubes. Models with two tubes of the same wavelength operate with both tubes on at same time. Other models operate with only a single tube at one time.

### Specifications

Physical dimensions for four, six and eight watt lamps:

Four watt lamps:	9.8"L x 2.5"H x 3.8"W (249 x 64 x 97 mm)
Six watt lamps:	11.9"L x 2.5"H x 3.8"W (302 x 64 x 97 mm)
Eight watt lamps:	14.9"L x 2.5"H x 3.8"W (376 x 64 x 97 mm)



C-10E Cabinet with four watt lamp



C-65 Cabinet with eight watt lamp



Universal stand for all EL Series Lamps

#### Four Watt Lamp Specifications

Model	Wavelength	Part Number	Nominal Volts/Hz/Amp
UVS-14	254nm/White Light	95-0266-01 95-0266-02 95-0266-03	115/60/0.16 230/50/0.16 100/50-60/0.16
UVL-14	365nm/White Light	95-0264-01 95-0264-02 95-0264-03	115/60/0.16 230/50/0.16 100/50-60/0.16
UVS-24	254nm	95-0269-01 95-0269-02 95-0269-03	115/60/0.32 230/50/0.32 100/50-60/0.32
UVL-24	365nm	95-0267-01 95-0267-02 95-0267-03	115/60/0.32 230/50/0.32 100/50-60/0.32
UVLS-24	365nm/254nm	95-0271-01 95-0271-02 95-0271-03	115/60/0.16 230/50/0.16 100/50-60/0.16

#### Six Watt Lamp Specifications

Model	Wavelength	Part Number	Nominal Volts/Hz/Amp
UVS-16	254nm/White Light	95-0274-01 95-0274-02 95-0274-03	115/60/0.16 230/50/0.16 100/50-60/0.16
UVL-16	365nm/White Light	95-0272-01 95-0272-02 95-0272-03	115/60/0.16 230/50/0.16 100/50-60/0.16
UVM-16	302nm/White Light	95-0273-01 95-0273-02 95-0273-03	115/60/0.16 230/50/0.16 100/50-60/0.16
UVS-26	254nm	95-0277-01 95-0277-02 95-0277-03	115/60/0.32 230/50/0.32 100/50-60/0.32
UVL-26	365nm	95-0275-01 95-0275-02 95-0275-03	115/60/0.32 230/50/0.32 100/50-60/0.32
UVM-26	302nm	95-0276-01 95-0276-02 95-0276-03	115/60/0.32 230/50/0.32 100/50-60/0.32
UVLS-26	365nm/254nm	95-0279-01 95-0279-02 95-0279-03	115/60/0.16 230/50/0.16 100/50-60/0.16
UVLM-26	365nm/302nm	95-0278-01 95-0278-02 95-0278-03	115/60/0.16 230/50/0.16 100/50-60/0.16

## Eight Watt Lamp Specifications

Model	Wavelength	Part Number	Nominal Volts/Hz/Amp
UVS-18	254nm/White Light	95-0200-01	115/60/0.16
		95-0200-02	230/50/0.16
		95-0200-03	100/50-60/0.16
UVL-18	365nm/White Light	95-0198-01	115/60/0.16
		95-0198-02	230/50/0.16
		95-0198-03	100/50-60/0.16
UVM-18	302nm/White Light	95-0199-01	115/60/0.16
		95-0199-02	230/50/0.16
		95-0199-03	100/50-60/0.16
UVS-28	254nm	95-0249-01	115/60/0.32
		95-0249-02	230/50/0.32
		95-0249-03	100/50-60/0.32
UVL-28	365nm	95-0248-01	115/60/0.32
		95-0248-02	230/50/0.32
		95-0248-03	100/50-60/0.32
UVM-28	302nm	95-0250-01	115/60/0.32
		95-0250-02	230/50/0.32
		95-0250-03	100/50-60/0.32
UVLS-28	365nm/254nm	95-0201-01	115/60/0.16
		95-0201-02	230/50/0.16
		95-0201-03	100/50-60/0.16
UVLM-28	365nm/302nm	95-0251-01	115/60/0.16
		95-0251-02	230/50/0.16
		95-0251-03	100/50-60/0.16
UVLMS-38	365/302/254nm	95-0252-01	115/60/0.16
		95-0252-02	230/50/0.16
		95-0252-03	100/50-60/0.16

## Replacement Tubes and Switches

Replacement Part	Part Number
Switch, On/Off	53-0134-01
Switch, On/Off/On	53-0135-01
Tube, 4 watt, 365nm	34-0005-01
Tube, 4 watt, 254nm	34-0066-01
Tube, 4 watt, white light	34-0003-01
Tube, 6 watt, 365nm	34-0034-01
Tube, 6 watt, 302nm	34-0044-01
Tube, 6 watt, 254nm	34-0015-01
Tube, 6 watt, white light	34-0063-01
Tube, 8 watt, 365nm	34-0006-01
Tube, 8 watt, 302nm	34-0042-01
Tube, 8 watt, 254nm	34-0007-01
Tube, 8 watt, white light	34-0056-01

## Accessories

Accessories	Part Number
J138 Lamp Stand	18-0063-01
C-65 Cabinet	95-0257-01
C-10E Cabinet	95-0072-08
Spectacles	98-0002-01
Goggles	98-0002-02
Faceshield	98-0002-04

## Changing the Replacement Tubes

Always disconnect the lamp from the electrical power source prior to replacing tubes. Remove the two Phillips Head Screws located in the End Cap. Grasp the extruded housing and slide the chassis and filter out together away from the switch. Disconnect the interior Molex Connector (see Figure 1) and slide chassis and filter out of the housing completely. Once out of the extrusion, the chassis and filter will come apart. Carefully grasp the tube ends and twist one quarter turn until it works free (see Figure 2). Insert the new tube, giving it a twist to lock in place. Reassemble the lamp. Be careful not to pinch wires during assembly.

Figure 1

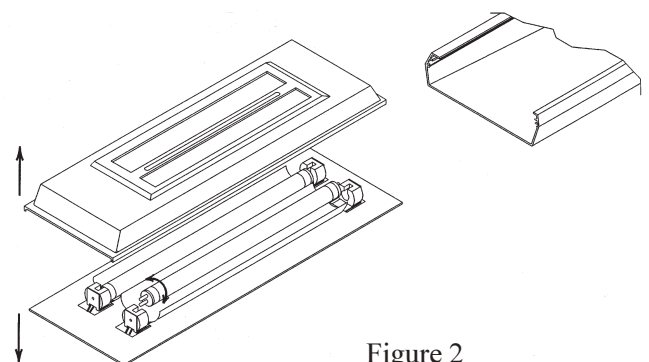
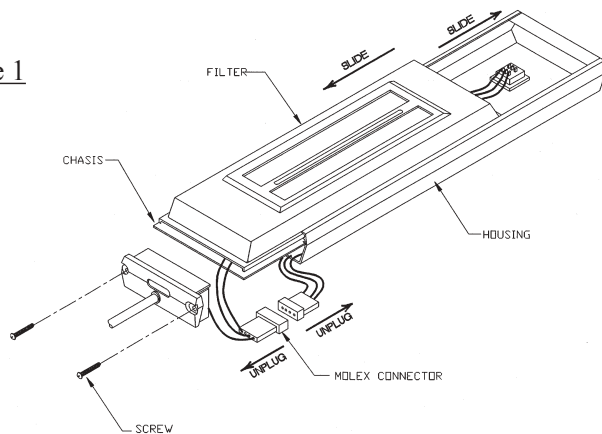


Figure 2

## Cleaning the EL Series Lamps

The painted surfaces and filter areas of the lamp should be cleaned with a damp sponge or cloth towel and mild soap. Never use abrasive cleaners, solvent based cleaners or scouring pads.

ALWAYS DISCONNECT THE LAMP FROM THE ELECTRICAL POWER PRIOR TO CLEANING.

## Maintenance/Repair/Technical Assistance

UVP offers technical support for all of its products. If you have any questions about the product's use, operation or repair, call or fax UVP Customer Service at the following offices:

In the US: Tel: (909)946-3197 or toll free (800)452-6788; Fax (909)946-3597; E-Mail [uvp@uvp.com](mailto:uvp@uvp.com)  
Europe/UK: Tel: +44(0)1223-420022; Fax: +44(0)1223-420561; E-Mail: [uvp@uvp.co.uk](mailto:uvp@uvp.co.uk)

A **Returned Goods Authorization (RGA)** number must be obtained from UVP Customer Service before returning any products.

## Warranty

UVP, Inc. warrants its EL Series Lamps to be free of defects in materials and workmanship for a period of one (1) year from the date of purchase. Tubes and filters are warranted for a period of 90 days. If equipment failure or malfunction occurs during the warranty period, UVP shall examine the inoperative equipment and have the option of repairing or replacing any part(s) which, in the judgement of UVP, were originally defective or became so under conditions of normal usage and service.

No warranty shall apply to this instrument, or part thereof, that has been subject to accident negligence, alteration, abuse or misuse by the end user. Moreover, UVP makes no warranties whatsoever with respect to parts not supplied by UVP or that have been installed, used and/or serviced other than in strict compliance with the instruments appearing in this manual.

In no event shall UVP be responsible to the end user for any incidental or consequential damages, whether foreseeable or not, including but not limited to property damage, inability to use equipment, lost business, lost profits, or inconvenience arising out of or connected with the use of instruments produced by UVP. Nor is UVP liable or responsible for any personal injuries occurring as a result of the use, installation and/or servicing of equipment.

This warranty does not supersede any statutory rights that may be available in certain countries.



Internet: <http://www.uvp.com>

### Corporate Headquarters: UVP, Inc.

10555 N. Nimitz Freeway, Suite 100, San Jose, CA 95131  
Tel: (408) 291-1111 or toll free in the US: (800) 452-6788  
Fax: (408) 291-1112 Email: [uvp@uvp.com](mailto:uvp@uvp.com)

### European Sales Office: Ultra-Violet Products Ltd.

Unit 1, Trinity Farm, Nuffield Road, Cambridge CB4 7TD, UK  
Tel: (44) 1223 420022 Fax: (44) 1223 420561  
Email: [uvp@uvp.co.uk](mailto:uvp@uvp.co.uk)