

Slabozia project



Professional streetlight luminaire for LED light sources.

- Possible illuminance control
- Modern design
- Reliability



Other pictures



Code	Type of optics	Luminaire power [W]	Lumen luminaire [lm]	Efficacy [lm/W]	Colour temperature [K]	CRI/Ra	Operating temperature range [°C]
-	O47	22	3750	170	4000	>70	-40 ... +50
-	O47	45	7750	172	4000	>70	-40 ... +45

Mechanical data

Mounting

on outriggers ø48-60mm

Body colour

gray

RAL

7035

Body

high pressure die-cast
aluminum

Lateral Surface Wind

Exposed

0.033 m²

Electrical data

Power supply efficiency

≤90%

Power

220-240V 50/60Hz
(Input voltage AC:
198-242V AC)

Includes light source

yes

Type of equipment

ED

Optical data

Way of lighting

direct

Diffuser

tempered glass

ULOR / DLOR

0% / 100%

Photobiological risk

group RG1

General data

Additional information

the standard version of the luminaire is corrosion resistant according to class C4; the luminaire is fitted with a cable which must not be exposed to UV radiation

Other remarks

the pole and boom are not part of the luminaire; luminaire available in protection class I and II

LED lifetime [h]

(L75) 100 000, (L90) 100 000

Warranty

5 years

Compliant with British Standards: BS 5489-1 2020; BS EN 13201 2015; BS EN 60598-2-3:2003+A1:2011 and BS EN IEC 60598-1:2021+A11:2022.

Luminous flux tolerance +/- 10%.

Power tolerance +/- 5%.

Lighting beam, light intensity distribution and light efficiency were examined in accordance with the EN ISO 17025:2005 norm for EN13032 norm series and the LM-79 norm.

General Warranty Terms available on our website www.luglightfactory.com

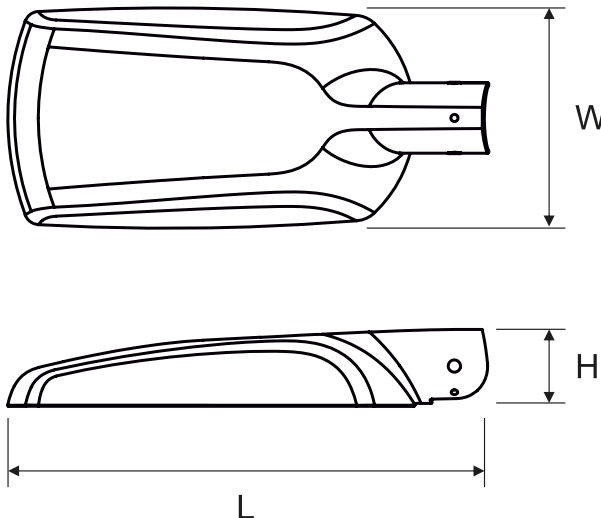
Detailed information on luminous fluxes and powers for individual indexes are indicated on the product data sheet.

The parameters in the data sheet are given for Ta=25°C.

The operating temperature ranges apply only to luminaires used in the outdoor environment.

Colour temperature tolerance +/- 5%.

Dimensions

Dimensions [mm] LxWxH	Pallet quantity	Quantity in package	Net weight [kg]	
505x230x80	70	1	3.5	

Accessories



□ 150172.01021 TRAFFIK LED Adjustable
bracket ø60mm



150170.01022 2 field connectors IP68



150170.01023 3 field connectors IP68



150170.01024 4 field connectors IP68



150170.01025 5 field connectors IP68