

Specificație Tehnică Completată

Modelul: Peony 2301B; Producător: Being Forshan; Țara: China.

Specificația tehnică deplină solicitată de către autoritatea contractantă	Specificația tehnică deplină propusă de către autoritatea ofertantă
<p>Unitate stomatologică (caracteristici avansate) Cod 120120 Descriere Reprezintă echipamentul stomatologic esențial pentru igienă dentară și tratament stomatologic. Parametrul Specificația Scaun stomatologic Unghi de înclinare de la 100° pînă la 180° Tetieră reglabilă Urcare/ coborîre ≥ 40cm Greutate maximă ≥ 180kg Comandă pedală Suprafața rezistentă la prelucrarea chimică Programe de poziționare minim 3 Accesorii cotiere Scaun medic Suprafața rezistentă la prelucrarea chimică Sarcina maximă ≥ 150kg Înălțime reglabilă Suport spate reglabil Suport picior da Masa dentistului Turbină Seringă cu 3 căi apă, aer, spray vîrf angulat 90°, detașabil Scaler cu minim 6 vîrfuri cu iluminare LED Micromotor electric Piesă contraughi Braț asistentă Aspirator de salivă 2 furtunuri Panou de comandă cu aceleași funcții ca la masa dentistului Camera intraorală Lampă fotopolimer Bloc hidraulic "Bol din ceramică sau sticlă detașabil" Clătitor Filtru pentru impurități Posibilitatea programării volumului de apă Turbină dentară Sistem buton la schimbul borului Presiune de lucru de la 2.5 pînă la 2.7 bar Sursa de lumină LED Răcire apă/aer minim 3 orificii separate Rotatii ≥300000 rot/min Piesă contraughi Rotații ≥40000 rot/min Adaptabilă la micromotor Autoclavabilă Schimbarea frezei buton Răcire apă/aer minim 3 orificii separate Sursa de lumină LED Poziții 2 ≥ 4000 Lux</p>	<p>Unitate stomatologică (caracteristici avansate) Cod 120120 Nr. Înreg AMDM: DM000579526 Descriere Reprezintă echipamentul stomatologic esențial pentru igienă dentară și tratament stomatologic. Parametrul Specificația Scaun stomatologic Unghi de înclinare de la 100° pînă la 180° (pagina 4, manual) Tetieră reglabilă Urcare/ coborîre ≥ 30cm (pagina 4, manual) Greutate maximă 250 kg (pagina 5, manual) Comandă pedală (pagina 5, manual) Suprafața rezistentă la prelucrarea chimică - da Programe de poziționare minim 3 (pagina 5, manual) Accesorii cotiere (pagina 4, manual) Scaun medic Suprafața rezistentă la prelucrarea chimică Sarcina maximă ≥ 150kg (pagina 4, manual) Înălțime reglabilă (pagina 4, manual) Suport spate reglabil (pagina 4, manual) Suport picior da (pagina 4, manual) Masa dentistului Turbină (pagina 4, manual) Seringă cu 3 căi apă, aer, spray vîrf angulat 90°, detașabil Scaler cu minim 6 vîrfuri cu iluminare LED Micromotor electric (pagina 4, manual) Piesă contraughi Braț asistentă Aspirator de salivă 2 furtunuri Panou de comandă cu aceleași funcții ca la masa dentistului (pagina 4, manual) Camera intraorală - da Lampă fotopolimer - da Bloc hidraulic "Bol din ceramică sau sticlă detașabil" (pagina 3-4, manual) Clătitor Filtru pentru impurități Posibilitatea programării volumului de apă - da Turbină dentară Sistem buton la schimbul borului Presiune de lucru de la 2.5 pînă la 2.7 bar Sursa de lumină LED Răcire apă/aer minim 3 orificii separate Rotatii ≥300000 rot/min (pagina 4, manual) Piesă contraughi Rotații ≥40000 rot/min (pagina 4, manual) Adaptabilă la micromotor Autoclavabilă Schimbarea frezei buton Răcire apă/aer minim 3 orificii separate Sursa de lumină LED</p>

<p>de la 30 000 Lux "conectarea / deconectarea prin senzor" Axa de rotație ≥3 Unghi de iluminare reglabilă Înălțime reglabilă Tip lumină alb/rece Detartror (scaler) 5 vîrfuri cu iluminare LED Mîner detașabil, autoclavabil da Frecvența de lucru 25 pînă la 31 KHz Intensitate reglabilă Tip vîrfuri ≥ 4 Compresor Fără ulei Putere ≥1,5kw Monitor ≥ 19 Camera intraorală Conectare la calculator prin USB Tip CCD Revenirea automată la poziția inițială Comanda de oprire urgentă Control multifuncțional de la picior mobil Tensiune 220-240V Frecvența 50-60 Hz</p>	<p>Poziții 2 ≥ 4000 Lux (pagina 4, manual) de la 30 000 Lux "conectarea / deconectarea prin senzor" - da Axa de rotație ≥3 (pagina 4, manual) Unghi de iluminare reglabilă Înălțime reglabilă Tip lumină alb/rece Detartror (scaler) 5 vîrfuri cu iluminare LED (pagina 4, manual) Mîner detașabil, autoclavabil da Frecvența de lucru 25 pînă la 31 KHz Intensitate reglabilă Tip vîrfuri ≥ 4 Compresor Fără ulei (pagina 4, manual) Putere ≥1,5kw Monitor ≥ 19 - da Camera intraorală Conectare la calculator prin USB Tip CCD - da Revenirea automată la poziția inițială - da Comanda de oprire urgentă Control multifuncțional de la picior mobil (pagina 4-5, manual) Tensiune 220-240V Frecvența 50-60 Hz</p>
---	--



Instruction Manual

PEONY-2301B

Product name: Integral Dental Unit

Model: PEONY-2301B

Manufacture: Being Foshan Medical Equipment Co., Ltd.

Register address: A: No. 9, North Park East Road, Shishan Town, Nanhai District, 528225
Foshan,Guangdong, PEOPLE'S REPUBLIC OF CHINA

BEING FOSHAN MEDICAL EQUIPMENT CO., LTD



Version: 4.0 Date: 2017-01-12





Contents

1. User instructions	2
2. Safety notes	3
3. Product description	3
4. Technology specifications	4
5. Installation	4
6. Debugging	6
7. Using and operating instructions	7
8. Maintenance	10
9. Analysis and removal of common faults	11
10. Contraindication and announcements	12
11. Packing list	12
12. Electrical connection diagram	13
13. Water and air connection diagram	14

1. User instructions

1.1 User guide


Read the operation manual carefully prior to the first operations to avoid misuse and prevent damage.


1.2 Target group

This document is for dentists and dental office staff.

1.3 Symbol descriptions

The following symbols may appear in this manual, on the marking label, or on its accessories. Some of the symbols represent standards and compliances associated with the dental unit and its use.


 CE Mark: conforms to essential requirements of the Medical Device Directive 93/42/EEC.


 Date of manufacture.

 Manufacturer

SN Specifies serial number

 Type BF applied part

 Disposal: Do not dispose this product as unsorted municipal waste. Collection of such waste separately for special treatment is necessary.

 Refer to instruction manual / booklet

1.4 Safety Classification

1.4.1 Class II equipment;

1.4.2 Type BF applied part;

1.4.3 IPX4 for footswitch;

1.4.4 Not category AP / APG equipment

1.4.5 Mode of operation:Defibrillation type, chair motor continuous operation;

1.5 General warning

1.5.1 Do not dispose of electrical appliances as unsorted municipal waste, use separate collection facilities. Contact your local government for information regarding the collection systems available. If electrical appliances are disposed of in landfills or dumps, hazardous substances can leak into the groundwater and get into the food chain, damaging your health and well-being.

1.5.2 The device is not suitable for use in the presence of flammable anesthetic mixtures with air or with oxygen or nitrous oxide.

1.5.3 The device requires no calibration.

1.5.4 The device is not repairable and contains no user serviceable parts.

1.5.5 No modification of this equipment is allowed.

1.5.6 The user must check that the equipment functions safely and see that it is in proper working

condition before being used.

1.5.7 The manufacturer does not require such preventive inspections by other persons.

1.5.8 To avoid risk of electric shock, this equipment must only be connected to a supply mains with protective earth.

1.5.9 Do not position the equipment so that it is difficult to operate the disconnection device.

2. Safety notes

2.1 General

The user must ensure that the unit works properly and is in satisfactory condition before each use.

HARMONIC unit is designed for using in dentistry only and may only be used by trained medical personnel. Any other type of use is not permitted.

2.2 Purpose-Proper use

“Proper use” includes following all the instructions for use and ensuring that all inspections and service tasks are performed.

2.2.1 Installation, instructions, expansions, adjustments, changes or repairs were carried out by technicians trained by BEING FOSHAN or third parties authorised by BEING FOSHAN, or by the personnel of authorised distributors.

2.2.2 The unit was operated in accordance with the instructions for use, care and installation.

2.2.3 The unit must be cleaned and serviced according to instructions.

2.2.4 Ensuring four wheels of cart locked when diagnosis and cure, preventing medical negligence.

2.3 There is Emergency Red Switch on the back of each BEING FOSHAN dental chair, under any situations pushing the red button of switch, dental chair will stop at once.

3. Product description

3.1 Structure diagram



3.2 Environmental requirements

3.2.1 Operating conditions

Temperature: 5°C - 40°C

Humidity: 15% - 93% RH

Pressure altitude: 700 hPa - 1060 hPa

3.2.2 Storage and shipping conditions

Temperature: -25°C - 70°C

Humidity: 15% - 93% RH

Pressure altitude: 700 hPa - 1060 hPa

4. Technology specifications

Dental chair:

- Dental chair can be adjusted between 100 and 180 degrees
- Adjustable headrest
- Adjustable height from 30 cm and up
- Allowed maximum load from 150 kg and up
- 2 armrests,
- Multifunctional pedal, initial position button,
- Minimum 3 presets for chair position,
- Emergency stop button

Doctor's chair:

- Doctor's chair maximum load from 150 kg and up, height can be adjusted, footrest, backrest,
- Emergency stop button

Doctors console:

- Turbine terminal, with led, with turbine min 300000 RPM, 3-way irrigation, with button for bur. Possibility to adjust turbine's water volume
- Water/Air/Spray Syringe, angle 90 degrees, detachable
- Scaler with led, 6 tips, adjustable intensity, detachable handpiece, 25-31 kHz
- Electric micromotor with CA 1:1 with led (40000 rpm)

Assistant's console:

- Saliva and surgical suction
- The same controls like in the doctor's console
- Hidro unit, with detachable cuspidor, washer, equipped with filter
- Curing light
- Intraoral Camera, CCD sensor (with USB connection to the computer)
- 19 inch Monitor

Lighting:

- Led light, adjustable on 3 axis, more than 20000 lux (with possibility to adjust the intensity), 4000-5000K light temperature

Compressor:

- oil free
- minimum power 1,5kWh

High speed air turbine HP's no-load speed(air pressure0.22Mpa)	≥300×1000rpm
Low speed air motor's no-load speed (air pressure0.30Mpa)	≥18×1000rpm
Electric micro motor's no-load speed	2×1000rpm~ 40×1000rpm
Illuminance of operating lamp	20000~23000lx, 4000-5000K
Film viewer bulb's luminance	≥2000cd/m ²
Dental Chair's jack-up capacity	≥150 kg
Maximum height from the chair seatrest to ground	≤800mm
Minimum height from the chair seatrest to ground	≥300mm
Scope of dental chair backrest leaning back	100 °~180 °
Scope of headrest moving	100mm, adjustable
Dimension of bottom board	90 x 80mm
Grid Power	AC100V~230V, 50/60Hz, 400VA
Max consumed power	290W
Air pressure	0.5~0.8Mpa
Water pressure	0.2~0.4Mpa
Air displacement	55L/min
The total Weight	N.W.:250.00kgs G.W.:280.00kgs
Foot pedal	Multifunctional
Memory preset	≥3 positoins
Emergency stop button	available
Doctor's chair	load ≥150 kg, height adjustable, with footrest, backrest

-
-
-
-

Accessories: Fuse 5A , Operation manual, Water tube & air tube 2m

Applied part: High speed air turbine hand-piece, Low speed air motor (electric micro motor), contra angle and straight handpiece, 3-way syringe, suctions, led curing light, ultrasonic scaler, intraoral camera.

- Water/Air/Spray Syringe, angle 90 degrees, detachable
- Scaler with led, 6 tips, adjustable intensity, detachable handpiece, 25-31 KHZ
- Saliva and surgical suction
- Hidro unit, with detachable cuspidor, washer, equipped with filter
- Curing light
- Intraoral Camera, CCD sensor (with USB connection to the computer)

EMC Declaration according to IEC60601-1-2.

5. Installation

5.1 Installation conditions

The installation site of the dental unit depended on the overall working situation in practice, such as daylighting, easy operation etc. The working situation required should be clean, dry, ventilated and cool; The floor should be smooth and firm, no obstacles for dental unit operation.

5.2 Installation preparation

Referring to Figure 1, Figure 2 and Figure 4 positioning air inlet pipe, water inlet pipe, drain-pipe and cable pipe on floor of practice.

5.2.1 The outer diameter of both “water inlet pipe” and “air inlet pipe” is same as 22mm (namely ZG1/2”), bends should be 10mm higher than floor (there should be thread inside of bends ZG1/2”).

5.2.2 The outer diameter of drain-pipe is 48mm (namely ZG1/2’)

5.2.3 The cable pipe should be 90mm higher than floor.

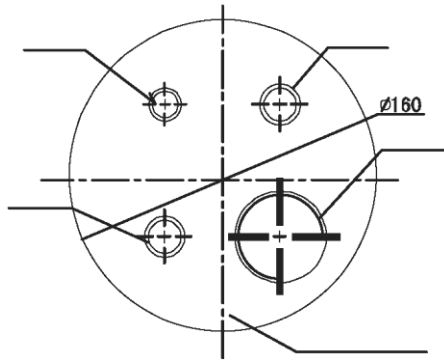


Figure 1

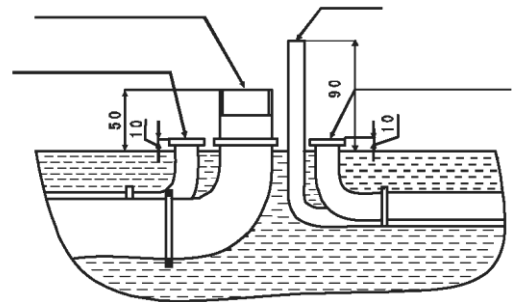


Figure 2

5.3 Installation steps

5.3.1 Taking down the front cover component before installation.

5.3.2 Placing dental unit at proper position refer to Figure 3, making marks on the floor for screws.

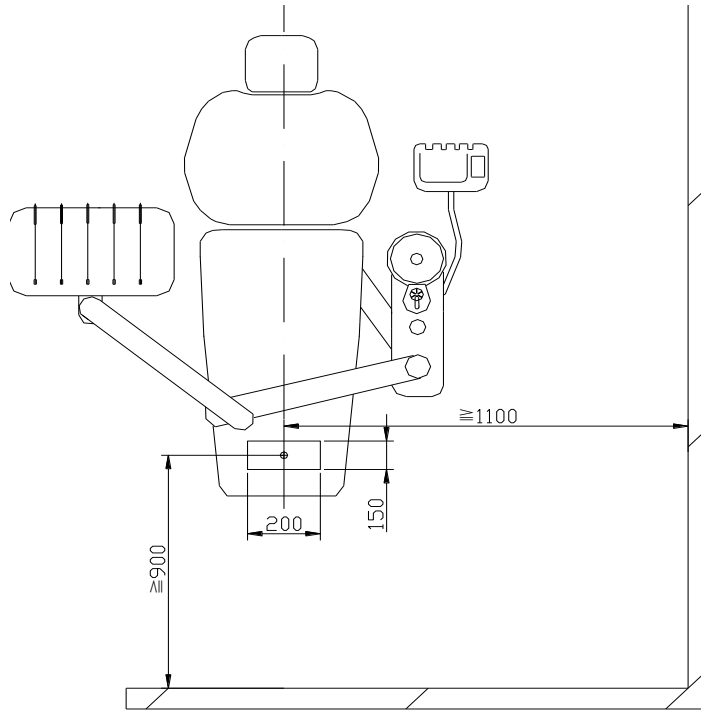


Figure 3 installation layout

5.3.3 Drill screws installation holes on floor according to marks and move back the dental unit.

5.3.4 Adjusting dental unit to steady level and using the self-tapping screw to tighten the dental unit, then place the front cover back the proper position, installation end.

5.4 Installation of the pipeline

Cleaning the water/air inlet pipe, respectively connecting them with pipes of city potable water and air compressor. Connecting drain-pipe of dental unit with drain-pipe on floor of practice, drainage must be smooth.

5.5 Installation method of lamp arm and operating lamp

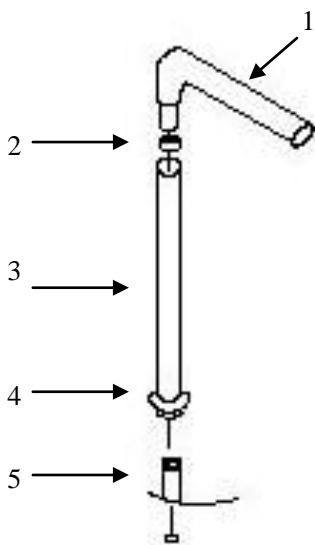


Figure 4

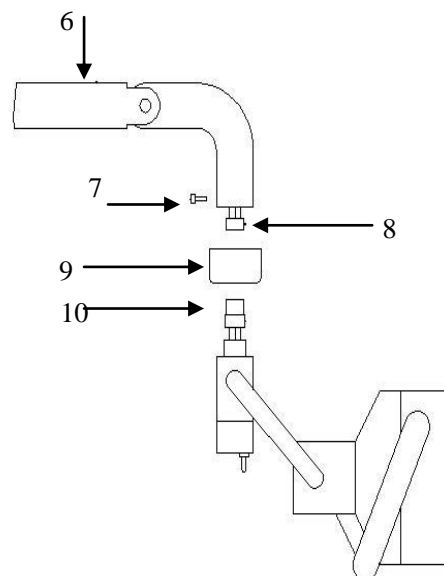


Figure 5

1	Lamp arm	2	O ring	3	Lamp pole
4	O ring	5	Shaft of side box	6	Lamp arm
7	Bolt	8	Connector	9	O ring
10	Connector				

6. Debugging

6.1 Open the compressor air source and check the gas-pressure meter below the air filtering & reducing-pressure valve whose value should be 0.50~0.55Mpa. If the gas pressure is too large or too small, the gas pressure of the air filtering reducing valve needs to be debugged to make it vary following the above-mentioned value. (The concrete method is open the front cover, pull the knob at the top of the air filtering&reducing-pressure valve upward, and then revolve the knob in the direction of clockwise to increase the pressure; revolve it in the direction of anti-clockwise, the pressure will be reduced) .

6.2 **Firstly**, after water and air supplies were normally connected, pls connect the power, and then turn on the general air switch (**NOTE**: it is located at right side of Instruments Tray), our dental unit will singsound “Bi----” showing the water, air and power supplies have been connected well.

Secondly, turn on the Operating lamp and observe whether the strong and weak two-gear light change is normal. (refer to Using and Operating Instruction)

6.3 Take off each connection heads of these air turbine Hand-pieces and three Way Syringe from the holder respectively, step on the Foot Control of dental unit to discharge water and air inside the pipeline 1 minute, and then install hand-pieces (high-speed and low speed) to connection heads.

Notes !: Ensuring bur installed in Hand-piece when testing, lest any damage.

6.4 There are all control knobs at instruments Tray, including air/water pressure adjustment valves for handpieces and syringe, power adjustment valve of scaler and general air switch.

Adjusting air/water pressure adjustment valve to proper value. Read value by gauge on the tray.

(**remarks**: for high speed air turbine Handpiece, value is 0.22 – 0.24 Mpa; for low speed air turbine handpiece, value is 0.3 – 0.34Mpa)

6.5 Press key “mouthwash water” and “spittoon flushing” slightly to check whether the water flow is normal or not. (water flow rate set pls refer to “Using and Operating Instruction”)(**Remarks**: the temperature of mouthwash water is fixed value, not adjustable)

6.6 Saliva ejector (weak/strong suction) checking: taking a cup of water and put the saliva ejector into water to observe whether it is absorbing water smoothly (finishing about 250ml water within 30 seconds means normal).

6.7 Check of Three Way Syringe. Three Way Syringe has two buttons separately, one is for air and the other is for water, while you press them together, the nozzle spray vapor.

6.8 Check of pure water supply system. Pure water storage bottle is inside the side case and it can be independently used for three Way Syringe and Handpieces of instrument Tray.

Switching the knob at side case of dental unit to change water supply between tap water and pure water.

6.9 Check the chair movement separately by keys: Backrest down/up and Seatrest down/up.

Note! During the operation, pls clear all obstacles around the dental chair in case of accidents.

6.10 Check of operating lamp, press the key: operating lamp, lamp will light on, then operating lamp can light on/off by sensor.

6.11 Check of film viewer, press the key: film viewer, the film viewer will light on.

7. Using and operating instructions

7.1 Marks and functions of each keys on the main/vice-control panel are shown in the following picture.

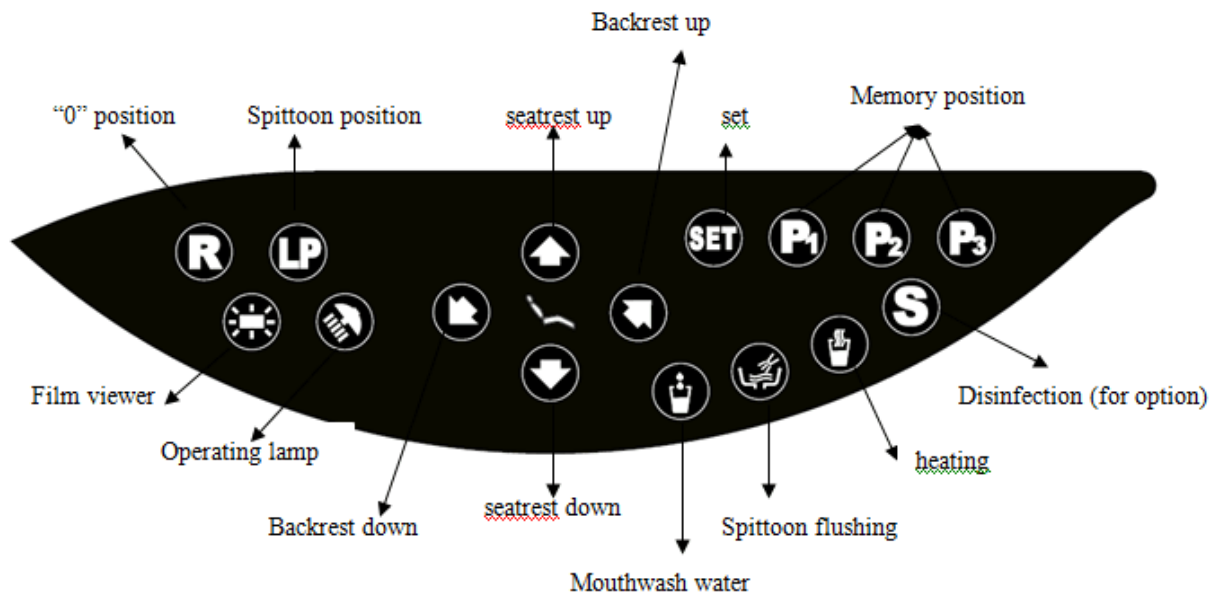


Figure 6 main control panel

7.2 Statements of Marks and functions of each keys:

7.2.1 Seatrest up/down: seatrest move up or down.

7.2.2 Backrest up/down: backrest move up or down

7.2.3 Zero position

Press the key, dental chair will move to zero position automatically. Zero position means: seatrest down to limiting position, backrest up to limiting position. Press any key to stop

7.2.4 Spittoon flushing

Press key to flush spittoon automatically, press again flushing stop.

7.2.5 Mouthwash water

Press the key to pour water, press again stop.

7.2.6 Disinfection (if applicable)

Press disinfection key, disinfection indicator light on, start to disinfect for pipes. Disinfection time set 90s (within 90s, the disinfection process will stop if pressing disinfection key again)

7.2.7 SET

7.2.7.1 Mouthwash water set

Step 1. Press SET key, SET indicator on;

Step 2. Press mouthwash water key, water supply start, keep to press key until cup is full of water, then release, water supply stop.

Step 3. Press SET key again, SET indicator light off.

7.2.7.2 Flushing spittoon

Step 1. Press SET key, SET indicator on.

Step 2. Press spittoon flushing key, the time of flushing spittoon is as follows:

- Pressing one time, flushing time is 55s, indicator flash one time
- Pressing two times, flushing time is 30m, indicator flash two times
- Pressing three times, flushing time is 60m, indicator flash three times
- Pressing four times, flushing time is 12s, indicator flash four times (only for factory using)

Step 3. Press SET key again, SET indicator light off.

7.2.8 Memory position

There are 3 memory positions for user, SET ways as follows:

Press "SET" key indicator on, adjusting seatrest & backrest to suitable position, Press key P1, then Press "SET" key, SET indicator off, the position given stored in P1. Under any situations, Press key P1, both seatrest and backrest will automatically move to position stored. Repeat above steps to set P2, P3.

7.2.9 Operating lamp on/off

On/off by hand: Press key operating lamp, lamp on again lamp off.

On/off by sensor: Press key operating lamp, lamp on, put hand close to the sensor area of lamp the lamp off, put hand again lamp on.

7.2.10 Film viewer on/off

Press key film viewer, film viewer on, press key again, film viewer off.

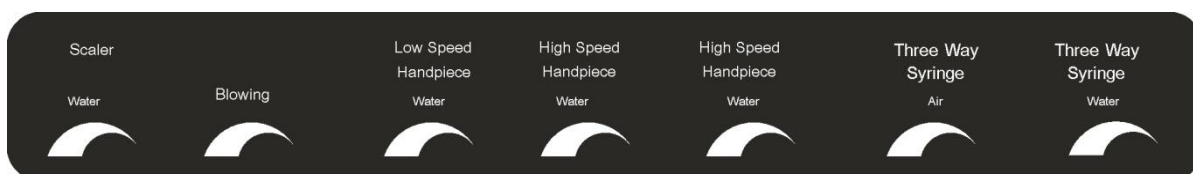
7.2.11 Spittoon position

Press this key, backrest move to the pre-set mouthwash position, press it again, backrest will back to the original position automatically; press any key to stop.

7.2.12 General switch

General switch is mounted on the right side of the instrument Tray, switching on, the whole dental unit's water supply, power and air source will be turned on, switching off, all will be turned off.

7.2.13 Control knobs at the right side of instrument Tray. As shown in the following pictures:



7.2.19 Foot control

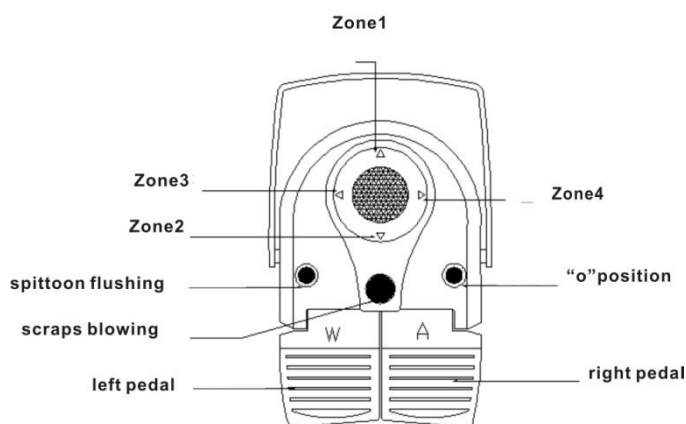


Figure 7 foot control

7.2.19.1 Zone 1: seatrest up; zone 2: seatrest down; zone 3: backrest down; zone 4: backrest up.

7.2.19.2 Spittoon flushing & zero position refer to point 7.2.4 and point 7.2.5

7.2.19.3 Scraps blowing: step it, hand-piece will have air to blow scraps

7.2.19.4 Right pedal (A): step it, hand-piece start to work

7.2.19.5 Left pedal (W): step it, hand-piece will have water supply

Step A & W at same time, hand-piece start to work and spray!

8.Maintenance

Daily maintenance shall keep the equipment clean, the pipeline smooth and removal of leakage and lubricating oil on the turning parts timely to ensure the equipment works with good conditions.

8.1 To guarantee the normal using of this equipment, water/air filter has been mounted on the water/air-inlet position inside the equipment's case preventing impurities inside the water and air from entering the equipment. But after it was used for a certain time, dirt may block the filters and affecting water/air flowing, so pls clean it in time.

8.1.1 Generally speaking, the water filter shall be cleaned or replaced as long as one of the following situations occurred:

- a) Over one year using.
- b) Pressure lost of the filters is over 0.1Mpa.
- c) The water filter is polluted.
- d) Water supply is getting muddy.

8.1.2 Methods for cleaning or replacement of the water filter:

- a) Cut off power and water supplies.
- b) Open the front cover of dental chair and then unscrew the transparent plastic cup of water filter in anti-clockwise direction.
- c) clean or replace it.

8.1.3 Generally speaking, for air filter once one of the following conditions occurred, the water drainage must be conducted to the air filter:

- a) Over one week using.
- b) Water inside the filter cup has over 3/4 of the volume.
- c) Water inside the filter cup has changed color (instead of colorless and transparent water).

8.1.4 Methods for water drainage:

- a) Cut off power and water supplies.
- b) Open the front cover of dental chair, press the three way syringe till to exhaust the remained air inside the equipment, unscrew the water drain valve plug located on the bottom of the air filter to drain all water out and then Screw it tightly.


8.2 Hand piece are precision and valuable devices and are key devices to be maintained. Please read user's manual of hand piece carefully before using. Every day clean and oil and pieces with the temperature vapor disinfections and oiling as specified (High-temperature vapor disinfection: 135°C for 15min).

8.3 Lamp light film of the oral cold light should be maintained in normal temperature; clean it with soft cloth and clean water slightly; however the inner part (upper face) of the light film cannot be wiped instead only through blowing the dust away with compressed air (LED lamp not applicable).

8.5 During the suction of spit, solid dirt is often discharged together with the spit and stockpiled inside the filter, so the spit sucking filter should be cleaned regularly (Every day is better).

8.6 Surface and appearance of Electric Dental unit and Seat cushion should be cleaned regularly, and medical alcohol can be used to wipe, clean and sterilize the surface.

8.7 Turn off the power supply, and open the front cover. Use medium size screwdriver to remove the fuse cup. Then install a new fuse.

 **WARNING!** We advise performing the maintenance operations for the instruments with the equipment turned off.

9. Analysis and removal of common faults

Faults	Reason analysis	Way of exclusion	Remark
Oral Bulb is not enlightened	Burnt out bulb Poor contact of light film Poor contact of connector and contact chip Wire inside the turning joint is twisted off	Change the bulb with the same model Revise with tools Plug in after tool revising Change new wire	12V 50W
Water outlet of the mouthwash can't be closed	Obstacles have locked the valve plug of the magnetic valve	Unpick and wash the valve plug	
Mouthwash failed to flow out	Water pipe has been twisted and hollow Coil of the magnetic valve is burnt out	Neaten or change a new pipe Change a new magnetic valve	

Drainage of the jar flushing is not smooth	Pipeline has been blocked by dirt The plastic pipe has been hollow Drain-pipe line has appeared W-shape	Remove the dirt Unpick and soak it in hot water to rehabilitate or change a new pipe Straighten the pipe	
Suction and spit are not smooth	Dirt is inside the pipe Dirt is inside the filter Piston of the duplex air control valve is not on right position	Absorb clean water for cleaning or unpick and clean it with clean water Unpick the filter, clean and then recover it Unpick the piston, clean it with alcohol and recover it after smearing silicone grease on the O ring	
Sputum flushing has no water flowing out	Water pipe has been twisted and hollow Coil of the magnetic valve is burnt out	Neaten it or change a new pipe Change a new magnetic valve	

10. Contraindication and announcements

10.1 Contraindication:

10.1.1 Forbidden for hemophiliac.

10.1.2 Forbidden for patients and doctor with cardiac pacemaker.

10.1.3 Caution in cardiac path, pregnant woman and children.

10.2 Announcements:

10.2.1 Ensure the equipment's outer power supply and grounding environment good and stable.

10.2.2 There's no component allowing customer's repairing on this equipment, and disassembling by the customers themselves are prohibited if faults occurred.

10.2.3 This equipment should be away from the environment with high temperature, high humidity, vibration, inflammable, out-of-balance and superfluous smoke during its operation.

10.2.4 There's no reach of any object within the equipment's working and moving scope.

10.2.5 Get rid of the water logging inside the air filtering reducing valve and clean or change the filter element immediately.

10.2.6 The dental chair should be descended to the lowest position during out of operation and turn off the general air switch.

10.2.7 The equipment is prohibited to be used in condition of hidden dangers which are obvious or can be

foreseen, and the dangers may cause damages to the patients or medical workers.

10.2.8 This equipment is not allowed to be used in the site with too strong electromagnetic radiation.

10.2.9 Personnel without professional training are not allowed to use this equipment to prevent wrong operation.

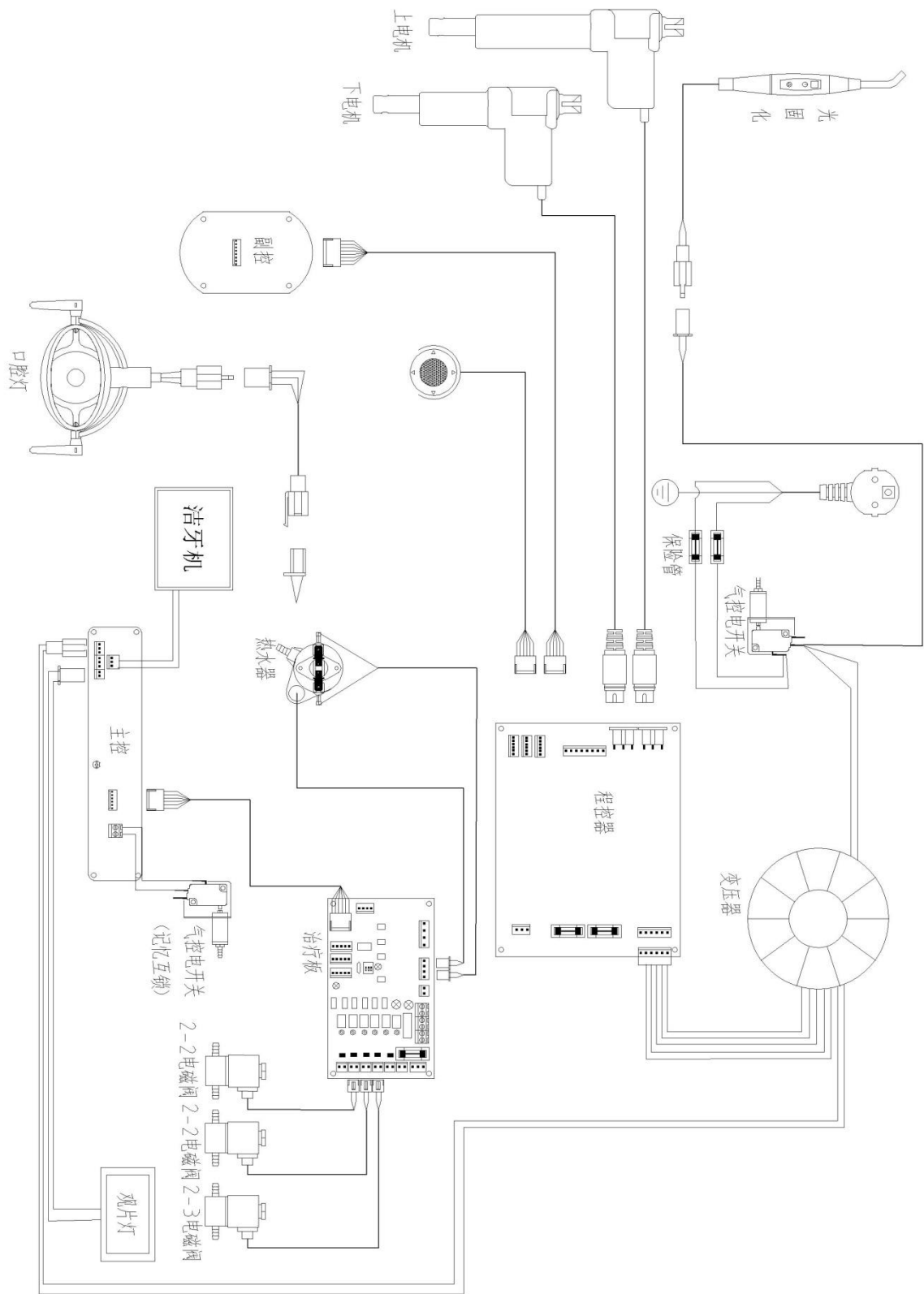
10.2.10 This machine has discontinuous operation.

10.2.11 This machine and its accessories should be declared worthless after its using life was expired according to the local laws and regulations.

11. Packing list

Dental unit.....	1 piece
Nurse stool.....	1 piece
Strong suction nozzle.....	2 pieces
Weak suction nozzle.....	2 pieces
Nozzle of 3 ways syringe.....	2 pieces
Adjusting level screws.....	4 pieces
Fuse.....	3 pieces
Certificate of qualification.....	1 piece
Warranty card.....	1 piece
Operation manual.....	1 piece
Inspection report.....	1 piece

12. Electrical connection diagram



13. Water and air connection diagram

Product Registration No.: Yue Shi Yao Jian Xie (Zhun) Zi 2012 No. 2550232

Production license: Yue Shi Yao Jian Xie Production License No. 20051140

BEING FOSHAN MEDICAL EQUIPMENT CO., LTD

Company address: No. 9, North Park East Road, Shishan Town, Nanhai District, 528225
Foshan,Guangdong, PEOPLE'S REPUBLIC OF CHINA

Postal code: 528225

Tel: 0757-86406507, 86406509

Fax: 0757-86406509, 86406506

After-sale service: 0757-86406508 (or contact with the local agent)

Website: www.beingfoshan.com

E-mail: beingfoshan@beingfoshan.com

Europe Representative:

Name:Shanghai International Holding Corp.GmbH(Europe)

Dimdi NO.:DE/0000040627

Add:Eiffestrasse 80,20537 Hamburg,Germany

Tel:+49-40-2513175 Fax: +49-40-255726

E-mail:shholding@hotmail.com

Company reserves the right of product improvements