



HS Hi-R NEO 900

For first class surgery



Tradition and Innovation – Since 1858, visionary thinking and a fascination with technology have guided us to develop innovative products of outstanding reliability. Anticipating trends to improve the quality of life.

 **HAAG-STREIT**
SURGICAL



M.DIS

Quick reference on microscope settings

Choose halogen or LED illumination

Ophthalmoscopic system EIBOS 2

0° assistant scope for teaching

Intraoperative OCT

HS MIOS 5

- » Intraoperative live OCT
- » Individual configuration exactly for your needs and ergonomic demands
- » Impressive optical image quality
- » Extraordinary movability and precise positioning

HS Hi-R NEO 900A NIR
on floor stand FS 2-21 / FS 2-25

Foot switch EF 5001



04 | 05

HS Hi-R NEO 900

Better vision – The key to higher precision

Precision optics and optical systems have been developed and manufactured in our German production facility since 1864. We work according to an elaborated and certified quality process, and the assurance of our optics exceeds the requirements of the relevant ISO standards.

A perfect example of the product's optical quality is the large depth of field achieved by HS Hi-R NEO 900. It limits focusing procedures to a minimum. For further increase of this effect especially in high magnification a Double Iris Diaphragm can be added. Looking through the oculars of the microscope HS Hi-R NEO 900 will tell you more than a thousand words could.



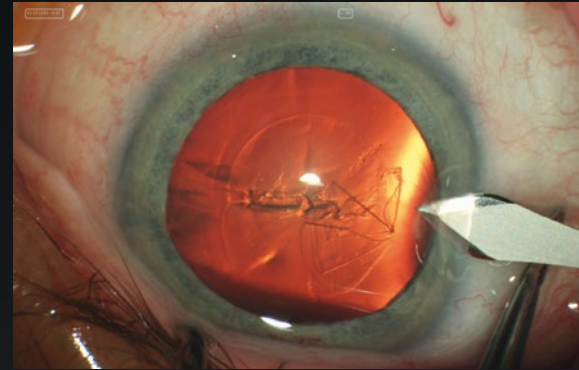
ABOUT HAAG-STREIT SURGICAL

C.RED 900

The microscope's integrated red reflex enhancer is especially designed to clearly show all details during capsulorhexis and polishing of the capsular bag. For light hazard protection even at low illumination levels a bright reflex is visible. The red reflex enhancer can be individually adjusted to always achieve a perfect red glow as well as switched off for corneal surgery.



ABOUT RED REFLEX



HS Hi-R NEO 900A

HS Hi-R NEO 900A offers the assistant full stereoscopic vision. The 0° assistant scope with its 12.5x oculars has its own magnification changer (5 steps) and focusing device allowing both surgeons independently to select the focal plane and magnification. It easily swivels laterally and, for relaxed working, the eyepiece head may be inclined and rotated into the most comfortable position.



Floor stands More than just carrying systems

Mechanical solutions

The floor stands FS 2-11 (halogen) and FS 2-15 (LED) are equipped with newly designed mechanical brakes, which are preadjusted in the factory for free-floating movements as well as for stable working positions. The light source is mounted externally for easy access. A tray to carry a camera control unit may be attached to the column.



HS Hi-R NEO 900 with M.DIS
on floor stand FS 2-11 / FS 2-15

High-tech solutions

Electromagnetic brakes in the floor stands FS 2-21 (halogen) and FS 2-25 (LED) support the smooth movements of HS Hi-R NEO 900. A holder for a foot switch can be mounted directly to the column as can trays for camera control units or other equipment. The front side accepts a high-resolution monitor (optional).

The system is computer-controlled with a graphic display for programming the individual start settings of the operating surgeons and the surgical procedures. The microscope parameters, brightness, and the carrying weight of the articulated arm are also adjustable and controlled on the graphic display.

The shape and internal reinforcements of the column make the floor stands extremely stable against vibrations. The cables are inside a cable duct. A plastic surface protects the base of the floor stand against corrosive liquids.



HS Hi-R NEO 900A
on floor stand FS 2-25



HS Hi-R NEO 900

Technical specifications



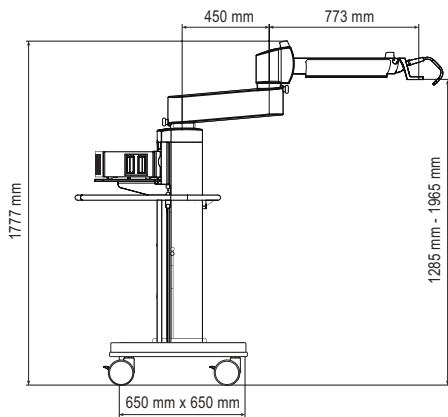
Tradition and Innovation – Since 1858, visionary thinking and a fascination with technology have guided us to develop innovative products of outstanding reliability. Anticipating trends to improve the quality of life.

 **HAAG-STREIT**
SURGICAL

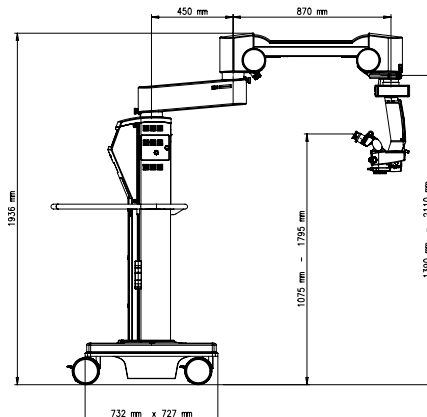
HS Hi-R NEO 900

Technical specifications

Operating microscope	HS Hi-R NEO 900	HS Hi-R NEO 900A	HS Hi-R NEO 900A NIR
Optics	apochromatic		apochromatic, optimized for Near Infra Red (NIR)
Stereo base	25 mm		
Focusing	+17 mm to -33 mm		
Working distance	200 mm (exchangeable)	175 mm (exchangeable)	
Magnification (Mot. zoom 1:6)	3.9x to 23.2x	4.4x to 26.6x	
Diameter visual field	9.0 mm to 54.2 mm	7.9 mm to 47.4 mm	
Illuminated field	31 mm to 59 mm	27 mm to 51 mm	
Inclinable eyepiece head	200° (10x wide angle oculars)	surgeon 200° (10x wide angle oculars) assistant 160° (12.5x oculars)	
Diopter settings	+5 D to -8 D		
Inclination angles	coarse -70° to +90°, fine +/-10°		
Rotation	540°, electromagnetic		
X-Y coupling	60 mm x 60 mm		
Filter	UV, softlight, daylight, blue		
Weight (without accessories)	9.2 kg	11.5 kg	



Floor stands
FS 2-11 / FS 2-15



Floor stands
FS 2-21 / FS 2-25

Floor stands	FS 2-11	FS 2-15	FS 2-21	FS 2-25
Arm reach (max.)	1223 mm		1320 mm	
Swivel area	2 x 270°			
Door height	1777 mm		1936 mm	
Floor stand carriage	650 mm x 650 mm		732 mm x 727 mm	
Carrying capacity	4.5 kg to 15.0 kg		5.5 kg to 17.0 kg	
Brakes	mechanical, preadjusted		electromagnetic	
Balancing	mechanical		mechanical, sensor-aided	
Height at oculars	964 mm to 1644 mm		1069 mm to 1789 mm	
Illumination	2 x 150 W halogen	2 x 50 W LED	2 x 150 W halogen	2 x 50 W LED
Protection filter	UV, IR			
Operating voltage	100 VAC, 115 VAC, 230 VAC, 240 VAC; 50/60 Hz; selectable			
Max. power consumption	600 VA	450 VA	1200 VA	1000 VA
Weight	198 kg		240 kg	
Foot switch	14 functions			

Subject to alterations.

OCULUS | SDI® 4/BIOM® 5

Wide Angle Observation



The OCULUS BIOM[®] 5

Perfect View for Non-Contact Wide Angle Observation

- > The OCULUS BIOM[®] was a revolution in vitreoretinal surgery and forever changed fundus viewing.
 - > The Original: Made in Germany, made by OCULUS.
- > The BIOM[®] 5 series continuously incorporates the principle of indirect ophthalmoscopy in the operating microscope.

Enlarge Your
Perspective!



The Next Evolution in Non-Contact Wide Angle Observation



> Intelligent activation of the SDI® 4c

Efficiency Meets Function

Surgeons appreciate the easy handling of the BIOM® 5. While observing the vitreous and the fundus the BIOM® 5 is aligned coaxially with the operating microscope. During extraocular phases of surgery it is swung out of the observation beam while the inverting action of the SDI® is neutralised: Automatically, by a surgeon controlled footswitch or manually.

Intelligent

The convenience of automatic inversion provided by the SDI® 4c ensures the surgeon's view is always orientated properly. This is accomplished by OCULUS' patented design, utilising a fully autoclavable micro switch.

BIOM® 5c (With Electronic Focus)

When used with the SDI® 4c the BIOM® 5c offers the convenience of electronic foot pedal focusing and intelligent and automatic image inversion.



> BIOM® 5c in working position

OCULUS BIOM® 5

The Advantages



Slim and Sleek

The slim and open design is lightweight and increases accessibility for the surgeon's hands and instruments as well as reprocessing. Space consumption in the operating field is also minimised.



Optimized Surgical Efficiency

The reduction lens is designed to optimise the view of the retina and the limbus without the need to refocus during extraocular phases of surgery.



Precision Engineered for Maximum Accuracy

OCULUS' high design and manufacturing standards ensure greater stability and precision. Selected materials, including titanium, offer increased durability, with excellent resistance to today's rigorous and sometimes harsh sterilisation methods.



Wide-Field in High Definition

The OCULUS BIOM® HD Disposable Lens is designed to provide superior clarity with wide-angle viewing. This unique design also provides high definition during high magnification, reducing the necessity of a separate lens for macula work.



Compatibility and Continuity

The BIOM® 5 is interchangeable with most accessories of the earlier BIOM® 3 and BIOM® 4 versions.

Also special adapter available to use it on microscopes equipped with Zeiss Resight®.

Still the Best: OCULUS SDI® 4

Stereoscopic Diagonal Inverter

- > High transmission glass optics
 - > Slim design for reduced microscope stack height
- > Integrates into most ophthalmic microscopes

Automatic Inversion

- Intelligent automatic inversion activated by the position of the BIOM® 5c
- Surgeon controlled electronic focus when combined with the BIOM® 5c
- Multiple BIOM® connectors for increased flexibility and convenience



> SDI® 4c

Motorized Inversion

- Surgeon controlled electronic inversion
- Integration into most microscope foot pedals
- For use with the BIOM® 5m



> SDI® 4e

Manual Inversion

- For use with the BIOM® 5m
- No power supply, cables or foot pedal required



> SDI® 4m

BIOM® Connecting Spacer

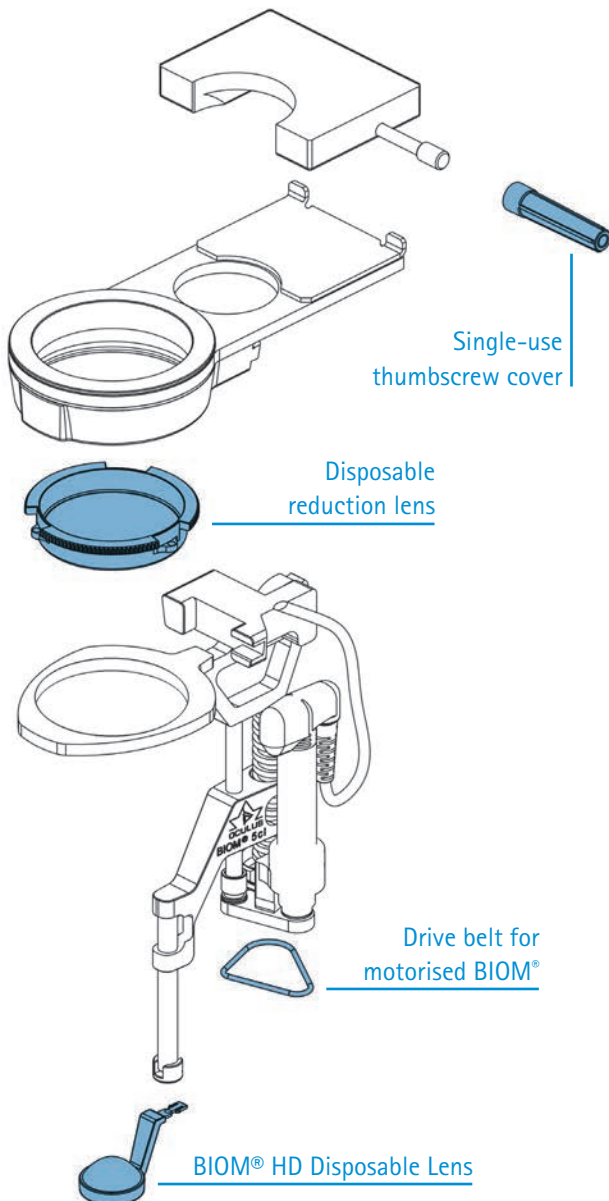
If your microscope already incorporates a stereoscopic diagonal inverter, you don't have to miss out on the benefits of the OCULUS BIOM® 5c and BIOM® 5cl. Ask the OCULUS team about the BIOM® Connecting Spacer.

The OCULUS BIOM® Optic Set

Enhancing 3D
visualization systems

The OCULUS BIOM® HD Disposable Lens combines an extremely wide field of view with high definition clarity. This makes it ideal for all stages of vitreoretinal surgery including macula viewing under high magnification.

- Innovative single-use design by OCULUS ensures a perfect view in every case
- 130° wide angle field of view
- Outstanding resolution in periphery – whether in a fluid filled eye or under air
- HD clarity under high magnification reduces the need for a contact lens when working in the macula region
- Superb depth of field – even under high magnification
- Single-use design for increased O.R. efficiency and lower costs
- Compatible with all OCULUS BIOM® 3/4/5
- Ideal for 3D Heads-up applications



> The convenient and sterile blister package is easy to handle. It includes thumbscrew cover and drive belts for the motorized BIOM® version.

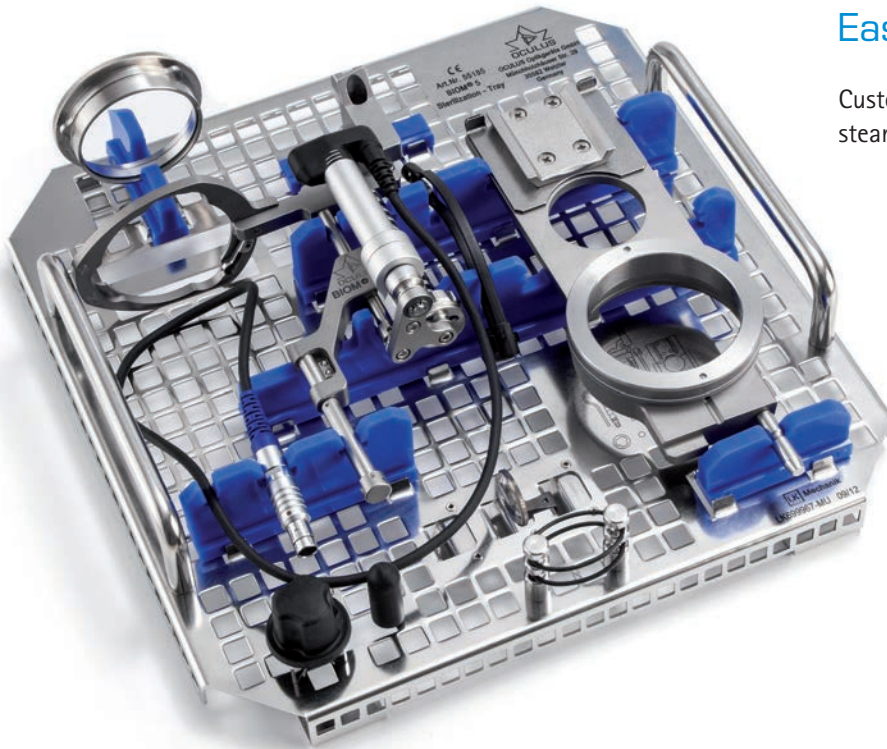


> BIOM® HD Disposable Lens: Innovative design ensures a perfect view in every case.

BIOM® 5 Accessories

Easy Sterilization

Customized sterilization tray for all steam autoclavable BIOM® 5 parts.



> Complete sterilization container packed with BIOM® 5



> BIOM® 5 tray also available for STATIM 5000 G4

OCULUS SDI® 4 / BIOM® 5

Wide Variety of BIOM® Lenses

	Max. observation angle	Outer diameter	Steam autoclavable with temperature of	Features
Mini Wide Field Lens	approx. 70°	12 mm	134° C	small / deep seated or infants' eye
Hi Res Macula Lens	approx. 60°	19 mm	134° C	for high magnification
90 D Lens	approx. 90°	19 mm	134° C	intermediate field
Wide Field Enhanced Lens	approx. 120°	19 mm	134° C	wide field
Wide Field High Definition Lens	approx. 60° - 130°	20 mm	134° C	high resolution combined with wide field of view
WiFi HD Mini	approx. 60° - 110°	17 mm	134° C	wide field of view with reduced diameter

Combinations of BIOM® Optic Sets (disposable)

Objective lens	BIOM®	BIOM® Optic Set (disposable)
f = 175 mm	BIOM® 3 m/c, 4 m/c, 5 m/c	HD Professional for f = 175 mm
f = 200 mm	BIOM® 3 ml/cl, 4 ml/cl, 5 ml/cl	HD Professional for f = 200 mm
	BIOM® 3 m/c, 4 m/c, 5 m/c	HD Flex

Adaptions

SDI® 4/BIOM® 5 adaptations are currently available for the following microscope types:	
Alcon	LuxOR*
Huvitz	HOM-700
Kaps	SOM
Leica	M500 / M501, M620, M650, M690, M841, M820, M822*, M844*, Proveo 8*
Möller	Ophtamic 900, Hi-R 900, Hi-R NEO 900, EOS 900, Allegra 900
Takagi	OM-18, OM-9, OM-8
Topcon	OMS-110, OMS-600, OMS-610, OMS-650, OMS-710, OMS-800 Standard, OMS-800 Pro, OMS-850 Standard, OMS-850 Pro
Zeiss	OPMI VISU 150 / 160, VISU 200 / 210, Lumera® 700, Lumera® T, Lumera® i, Lumera® 300, OPMI CS with Retrolux 1/3/CS or with Retroskop 1/2/CS, OPMI MDI/MDO/MDU, OPMI 1/6

* Specific: All SDI® 4c/BIOM® 5c functions can be controlled with the foot pedal of Leica M844 / M822/Proveo 8 surgical microscope and ALCON LuxOR™ Ophthalmic microscope.

! Slitlamp adaptations on request.

CE in accordance with Medical Device Directive 93/42/EEC

WWW.OCULUSSURGICAL.COM

OCULUS Optikgeräte GmbH

Postfach • 35549 Wetzlar • GERMANY

Tel. +49-641-2005-0 • Fax +49-641-2005-299

Email: support@oculussurgical.de • www.oculussurgical.com

- OCULUS Surgical USA, info@oculussurgical.com
- OCULUS Asia, info@oculus.hk
- OCULUS Czechia, oculus@oculus.cz
- OCULUS Iberia, info@oculus.es
- OCULUS Poland, biuro@oculus.pl
- OCULUS Turkey, info@oculus-turkey.com.tr



OCULUS is certified by TÜV according to DIN EN ISO 13485





surgiTrend

SURGEON'S CHAIR



2024V02

ENJOY QUALITY AND DESIGN

surgiTrend



Item No.: 2200 0012 with Comfort seat (Illustration)

Item No.: 2200 0010 with Dynamic seat

For back protection and maximum work flexibility in confined spaces. Sophisticated, space-saving drive mechanism with reduced size for ample foot space combines tilt stability with easy and smooth maneuvering. Outstanding sitting comfort and a wide range of adjusting functions allow every surgeon to find his or her personal best and healthiest working position for any work scenario. Available in two seating system types: Comfort or Dynamic.



Seating systems



Comfort

Seat angle adjustment



Back angle adjustment



Back height adjustment



Upholstery/color card

Standard color
black
Item No.: 3037 0223



"PeriLine" Page 105

Comfort



Dynamic

Dynamic-function



Lumbar support angle adjustment



Lumbar support height adjustment



Standard color
black
Item No.: 3037 0021



"Stamskin Top" Page 104

Dynamic

Armrests

- Stable, ergonomically shaped armrests with curved support surface (350 x 120 mm)
- Height-adjustable and equipped with a ball joint for 360-degree rotation
- Designed for personalized adjustment to the surgeon
- Optionally available with one-hand release
- Optionally available with linear guide and one-hand release



Chassis

- 4 high-quality, smooth-running double castors
- 5th castor for added resistance to tipping
- Optimized foot space
- Central braking system effective on 4 castors
- Integrated foot keypad panel for seat height adjustment
- Power supply-independent battery box with emergency stop button



Technical specifications

Lifting column

- Drive 3,000 N (IPX4)
- Lifting height 200 mm

Chassis

- L x W (incl. braking system/foot keypad) 650 x 600 mm
- Castors \varnothing 100 mm
- 5th castor \varnothing 65 mm
- Central brake acting on all four castors
- Emergency stop button

Battery unit

- Battery box with 2 batteries (lead-gel), pollution free, maintenance-free, cadmium-free 2 x 12 V, 7.2 Ah
- Universal battery charger: Input: 100 – 240 V
Output: 30 V

Seating systems:

Comfort | Dynamic

- Min. sitting height 550 mm | 600 mm
- Max. sitting height 750 mm | 800 mm
- Seat angle adjustments $-5^{\circ}/+5^{\circ}$ | -12°
- Back angle adjustments $-25^{\circ}/+5^{\circ}$ | -16°

Weight

45 kg

Max. load

150 kg

Subject to technical modifications.

Technical dimensions

Seating system Comfort

Minimum



Specifications in mm

Maximum



Seating system Dynamic

Minimum



Maximum



Components



surgiTrend
Dynamic seat Item No.: 2200 0010



surgiTrend
Comfort seat Item No.: 2200 0012



surgiLine
Formed seat Item No.: 2200 0008

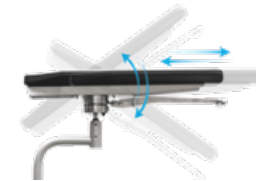


surgiLine
Comfort seat Item No.: 2200 0013



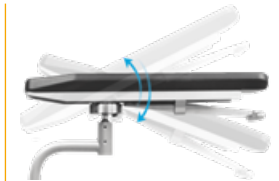
Backup battery

Item No.: 3047 0000



Armrest pair with linear guide and one-hand release, factory-fitted

Item No.: 33511 006



Armrest pair with one-hand release, factory-fitted

Item No.: 3351 1004



surgiTrend
Footswitch plate
480x715 mm, height 53 mm

Item No.: 3351 1011



surgiLine
Footswitch plate
480x715 mm, height 53 mm

Item No.: 3351 0014

“Stamskin® Top”



User friendly: High flexibility of the material ensures a perfect finish.

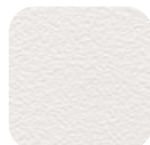
Safe for the user: Phthalate-free, easy to clean and fulfills fire safety standards.

Product Specification

- Extremely durable
- Phthalate free
- Easy to clean
- Flame protection
- Mildew resistant

surgiTrend Dynamic seat 2200 0010
assistTrend 2500 0002

+ Item No.: 3037 0...



F4340-10120
Item No.:023



F4340-07422
Item No.:016



F4340-20130
Item No.:084



F4340-20156
Item No.:207



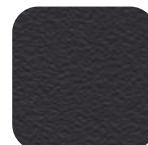
F4340-50622
Item No.:215



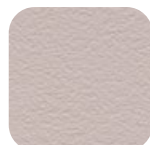
F4340-50623
Item No.:216



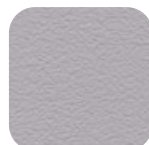
F4340-20129
Item No.:146



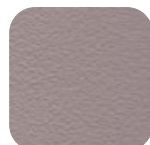
F4340-00002
Item No.:021



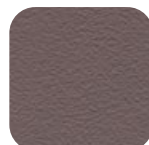
F4340-20162
Item No.:205



F4340-20161
Item No.:206



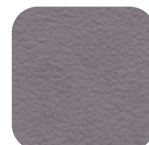
F4340-20150
Item No.:204



F4340-5015
Item No.:198



F4340-07496
Item No.:046



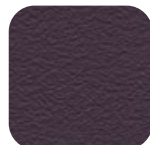
F4340-07432
Item No.:002



F4340-20154
Item No.:208



F4340-07445
Item No.:030



F4340-50621
Item No.:199



F4340-07480
Item No.:039



F4340-07436
Item No.:020



F4340-10295
Item No.:044



F4340-07459
Item No.:028



F4340-20157
Item No.:211



F4340-5347
Item No.:209



F4340-50454
Item No.:210



F4340-20149
Item No.:212



F4340-50619
Item No.:214



F4340-20127
Item No.:079



F4340-07477
Item No.:036



F4340-07476
Item No.:035



F4340-50618
Item No.:220



F4340-07485
Item No.:034



F4340-50620
Item No.:213



F4340-07478
Item No.:037



F4340-07479
Item No.:038

The colors displayed on your device may differ slightly from the original colors. If you wish to receive original color charts, please contact us at info@ufsk-osys.com.

“PeriLine”



Product Specification

- Without Phthalates
- Biocompatibility: cytotoxicity (EN ISO 10 993-5) and epicutaneous test (EN ISO 10 993-10)
- Urine resistance
- Blood resistance
- Resistance to perspiration
- Resistance to spitting
- Light fastness
- Color fastness to rubbing
- Flame retardant

<i>surgiForce</i>	Comfort seat	2600 0004
<i>surgiForce light</i>	Comfort seat	2600 0006
<i>surgiTrend</i>	Comfort seat	2200 0012
<i>surgiLine</i>	Comfort seat	2200 0013
<i>assistPro F</i>		2400 0005
<i>assistPro H</i>		2400 0009
<i>easyPro F</i>		2400 0010
<i>easyPro R</i>		2400 0013
<i>easyLine F</i>		2400 0020
<i>easyLine R</i>		2400 0022

+ Item No.: 3037 0...

				
kastanie 015817 Item No.:240	light brown 016037 Item No.:239	creme 015812 Item No.:225	weiß 010881 Item No.:224	stein 015813 Item No.:236
				
saphir 015814 Item No.:231	delft 010766 Item No.:241	antistatisch schwarz Item No.:223	schwarz 011499 Item No.:235	anthracit 016046 Item No.:234
				
azur 015815 Item No.:230	aubergine 016041 Item No.:229	lavendel 016042 Item No.:228	rot 010878 Item No.:238	orange 016040 Item No.:237
				
kiwi 015816 Item No.:232	lime green 016043 Item No.:232	lemon 016039 Item No.:226	safran 010879 Item No.:227	

The colors displayed on your device may differ slightly from the original colors. If you wish to receive original color charts, please contact us at info@ufsk-osys.com.

Upgrade your OR to perfection.



eyeForce



500 XLE



500 XLE comfort



500 XLS



500 ECO



400 XL



motionLine



motionLine-E



surgiForce



surgiForce light



surgiTrend



surgiLine



stayClean



stayClean roll



stayClean kick bucket



supportLine



assistTrend



assistPro F



assistPro H



easyPro F



easyPro R



easyLine F



easyLine R



assistLine

CONTACT US



UFSK
INTERNATIONAL

OSYS

UFSK-International OSYS GmbH
Kirchhoffstraße 1
93055 Regensburg
Germany

Tel. +49 (0) 941 78862 15
Fax +49 (0) 941 78862 35
E-Mail info@ufsk-osys.com
Web ufsk-osys.com

MADE IN GERMANY
Design | Construction | Manufacturing