

220-240V
50/60 HzIK
08IP
66

Professional streetlight luminaire for LED light sources.

TECHNICAL DATA

Mounting: on pillar $\varnothing 60\text{mm}$, on horizontal and vertical pillars, on outriggers $\varnothing 60\text{mm}$, with mounting bracket (included)

Body: high pressure die-cast aluminum

Lateral Surface Wind Exposed: $0,029\text{ m}^2$

Colour: gray

ELECTRICAL DATA

Power supply efficiency: $>89\%$

Power: 220-240V 50/60Hz

Includes light source: yes

Type of equipment: ED

Electrical connection: luminaire equipped with $3 \times 0,75\text{ mm}^2$ wire with a length of 4 m (I class)

OPTICAL DATA

Light distribution: circular

Way of lighting: direct

Type of optic: 09 - for bike paths **Lifetime (L90B10):** 100 000 h

GENERAL DATA

Other remarks: the pole and boom are not part of the luminaire

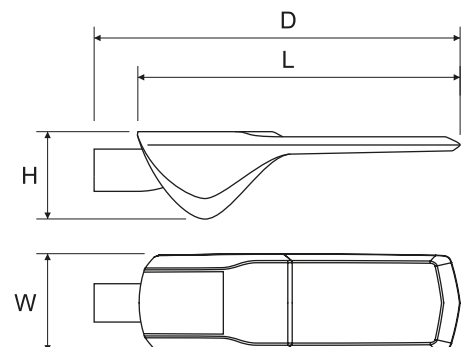
Warranty: 5 years

Application: cycle paths, avenues, sidewalks, parks, parking areas, residential, public spaces, playgrounds, promenade, residential area roads



Code	Type of optic	Luminaire power [W]	Lumen luminaire [lm]	Efficacy [lm/W]	Colour temperature [K]	CRI/Ra	Operating temperature range [°C]
130232.5L101.101.001	09	35	3750	107	4000	>70	$-40 \dots +50$
130232.5L101.101.002	09	30	3250	108	4000	>70	$-40 \dots +50$

Code	Dimensions [mm] L W H D	Mounting dimensions [mm] $\varnothing S$	Pallet quantity	Net weight [kg]
130232.5L101.101.001	407 110 120 490	60	156	2.9
130232.5L101.101.002	407 110 120 490	60	156	2.9



Please note that the standard luminaire is not intended for use in an environment with an increased corrosivity category. The use of the luminaire for work in an environment for which additional corrosion protection is necessary requires the use of an index with the extension .985 (on request).

Luminous flux tolerance $\pm 10\%$.
Power tolerance $\pm 5\%$.

Lighting beam, light intensity distribution and light efficiency were examined in accordance with the EN ISO 17025:2005 norm for EN13032 norm series and the LM-79 norm.

General Warranty Terms available on our website www.luglightfactory.com

Detailed information on luminous fluxes and powers for individual indexes are indicated on the product data sheet.

The parameters in the data sheet are given for $T_a = 25^\circ\text{C}$.

The operating temperature ranges apply only to luminaires used in the outdoor environment.

OTHER PICTURES



ACCESSORIES



150170.00817

Reducer 60/76 mm


 150170.00818
 150173.00906

Wall bracket ø60mm

LIGHT BEAM CURVES

09 - for bike paths

010 - for pedestrian zones

130232.5L291.161

130232.5L291.171

Please note that the standard luminaire is not intended for use in an environment with an increased corrosivity category. The use of the luminaire for work in an environment for which additional corrosion protection is necessary requires the use of an index with the extension .985 (on request).

Luminous flux tolerance +/- 10%.

Power tolerance +/- 5%.

Lighting beam, light intensity distribution and light efficiency were examined in accordance with the EN ISO 17025:2005 norm for EN13032 norm series and the LM-79 norm.

General Warranty Terms available on our website www.luglightfactory.com

Detailed information on luminous fluxes and powers for individual indexes are indicated on the product data sheet.

The parameters in the data sheet are given for $T_a=25^{\circ}\text{C}$.

The operating temperature ranges apply only to luminaires used in the outdoor environment.