

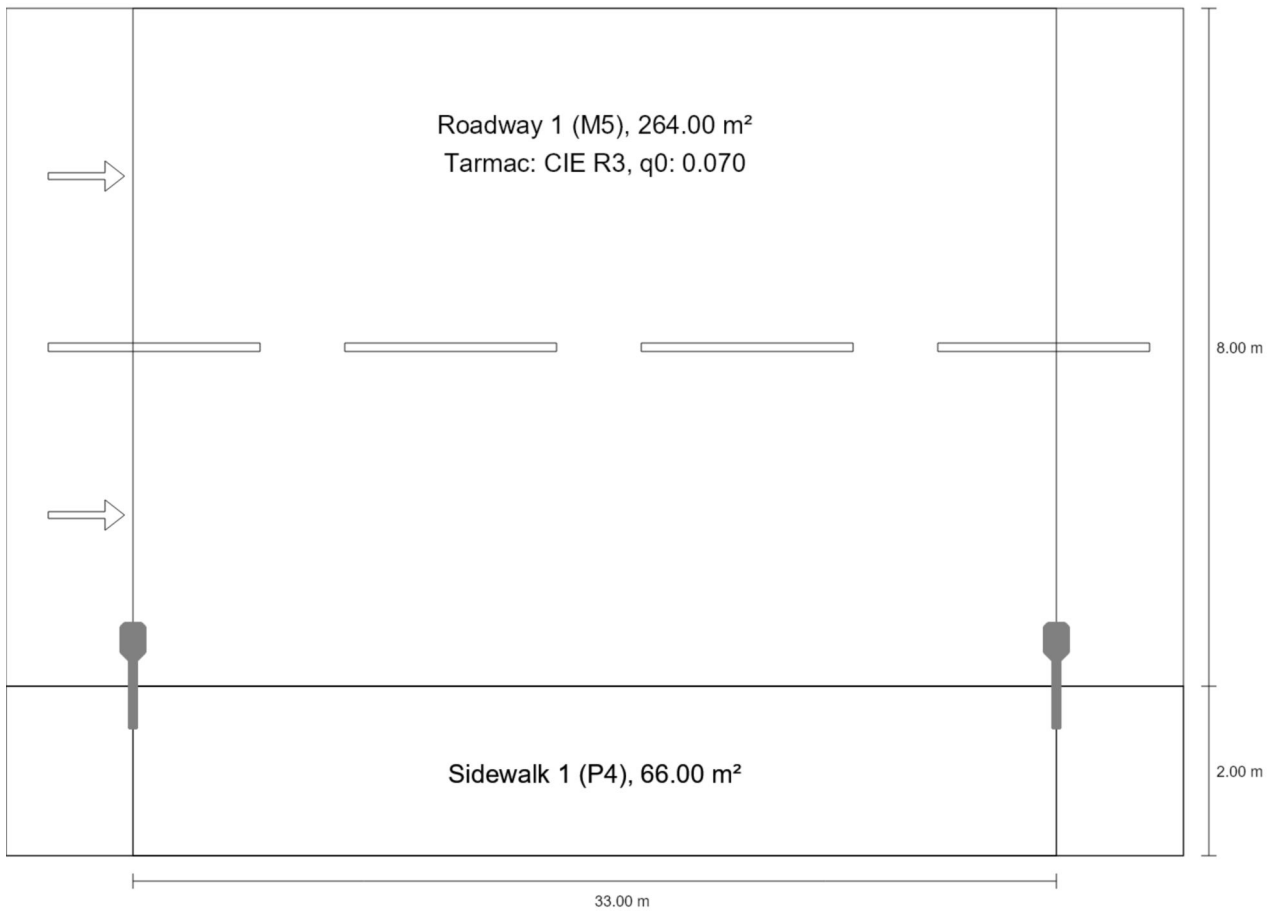


LUG®

Chirileni

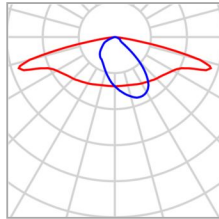
Street 1 · Alternative 1

Summary (according to EN 13201:2015)



Street 1 · Alternative 1

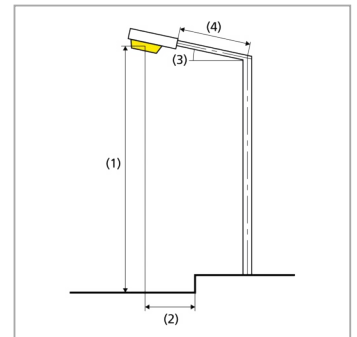
Summary (according to EN 13201:2015)



Manufacturer	LUG Light Factory	P	30.0 W
Article No.	130782.5L122.140	Φ_{Lamp}	4700 lm
Article name	URBINO LED S 30W 4700lm 740 O14	$\Phi_{\text{Luminaire}}$	4700 lm
Fitting	1x LED 4000K	η	100.00 %

URBINO LED S 30W 4700lm 740 O14 (single side bottom)

Pole distance	33.000 m
(1) Light spot height	8.000 m
(2) Light point overhang	0.505 m
(3) Boom inclination	5.0°
(4) Boom length	1.000 m
Annual operating hours	4000 h: 100.0 %, 30.0 W
Wattage / route	900.0 W/km
ULR / ULOR	0.00 / 0.00
Max. luminous intensities Any direction forming the specified angle from the downward vertical, with the luminaire installed for use.	$\geq 70^\circ$: 645 cd/klm $\geq 80^\circ$: 192 cd/klm $\geq 90^\circ$: 1.72 cd/klm
Luminous intensity class The luminous intensity values in [cd/klm] for calculation of the luminous intensity class refer to the luminaire luminous flux according to EN 13201:2015.	G*1
Glare index class	D.6
MF	0.85



Street 1 · Alternative 1

Summary (according to EN 13201:2015)

Results for valuation fields

A maintenance factor of 0.85 was used for calculating for the installation.

	Symbol	Calculated	Target	Check
Roadway 1 (M5)	L_{av}	0.64 cd/m ²	≥ 0.50 cd/m ²	✓
	U_o	0.45	≥ 0.35	✓
	U_l	0.83	≥ 0.40	✓
	TI	14 %	≤ 15 %	✓
	R_{Et}	0.38	≥ 0.30	✓
Sidewalk 1 (P4)	E_{av}	6.46 lx	[5.00 - 7.50] lx	✓
	E_{min}	2.25 lx	≥ 1.00 lx	✓

Results for energy efficiency indicators

	Symbol	Calculated	Energy Consumption
Street 1	D_p	0.011 W/lx*m ²	–
URBINO LED S 30W 4700lm 740 O14 (single side bottom)	D_e	0.4 kWh/m ² yr	120.0 kWh/yr