

APPLICATION

The DICOM3 MWM SCU system is used to receive the patient information required for CT examinations via Ethernet in accordance with the DICOM3 standard.

The applicable CT systems are shown below.

COT-32D/1

SYSTEM MODEL	
Aquilion ONE	TSX-301A/2
Aquilion	TSX-301B
	TSX-101A/N
	TSX-101A/E, /H, /J
	TSX-101A/D, /I, /K
	TSX-201A/1
	TSX-101A/O, /P
	TSX-101A/G, /L
	TSX-101A/F, /M
TSX-101A/7, /9	
Activion 16	TSX-031A
Asteion	TSX-021B/4, /5
	TSX-021B/6

COT-32D/2

SYSTEM MODEL	
Aquilion ONE	TSX-306A/1-3
	TSX-305A/1-6
	TSX-301C/1-8
	TSX-301A/4
Aquilion Precision	TSX-304A/1-4
Aquilion Prime SP	TSX-303B/1, /4, /5, /6, /8, /9
Aquilion PRIME	TSX-303A/1, /2, /5, /A, /B, /F, /L, /M, /T
	TSX-302A/1, /2
Aquilion Serve	TSX-307A/1, /2
Aquilion Exceed LB	TSX-202A/1-3
Aquilion	TSX-101A/Q, /T
	TSX-201A/2, /3
	TSX-101A/R
Aquilion Lightning	TSX-036A/1, /4, /7
	TSX-035A/2, /4, /5, /7, /8
Aquilion Start	TSX-037A/1, /2
Alexion	TSX-034A
	TSX-032A
	TSX-033A

Note: Some systems may not be available in your country or region. Please check with your sales representative.

FEATURES

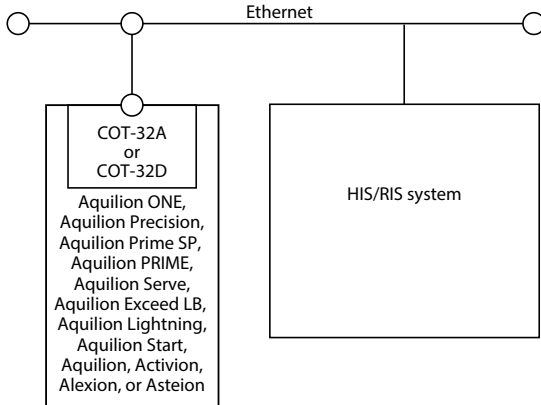
Patient information and examination instructions can be received from an external system such as a Radiology Information System (RIS) or Hospital Information System (HIS). The external system must support the DICOM3 MWM SCP functions.

COMPOSITION

- Media 1
- Manuals 1 set

Note 1: If this system is to be connected to a system for which functional compatibility has not yet been confirmed, connection tests may be required prior to installation of this system.

Note 2: The hardware for the Ethernet connection is not included in the standard composition.



Note 3: This system complies with the DICOM3 minimum requirements. Support of functions defined as optional in DICOM3 is not guaranteed.

Note 4: The destination system should support the services of Aquilion series, Activion, Alexion and Asteion in conformance with the DICOM3 transmission standard. Refer to Conformance Statement for details of the services.

MASS

- Mass: 0.1 kg (0.2 lb)

POWER REQUIREMENTS

Power is supplied from the CT system.

AMBIENT CONDITIONS

Same as those for the CT system.

CANON MEDICAL SYSTEMS CORPORATION

1385, Shimoishigami, Otawara-shi, Tochigi 324-8550, Japan

<https://global.medical.canon>

©Canon Medical Systems Corporation 2020-2022. All rights reserved.
 Design and specifications are subject to change without notice.
 Model number: COT-32D MPDCT0825EAB 2022-09 CMSC/Produced in Japan

Canon Medical Systems Corporation meets internationally recognized standards for Quality Management System ISO 9001, ISO 13485.
 Canon Medical Systems Corporation meets the Environmental Management System standard ISO 14001.

Aquilion ONE, Aquilion, Activion, Asteion, Aquilion Precision, Aquilion Serve, Aquilion Exceed LB, Aquilion Lightning, Alexion and Made for Life are trademarks of Canon Medical Systems Corporation.
 This document may include trademarks or registered trademarks of their respective owners.