

# FLANGED TYPE «Y» STRAINER

## TECHNICAL PASSPORT

### FLANGED PN16 «Y» STRAINER

F 3240N

#### APPLICATION

Protection of installations and equipment present on them against impurities and large solid particles.

**Area of use:** heating network, water network.

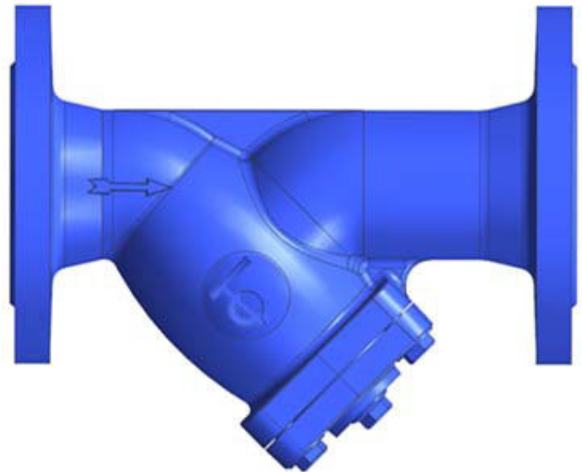


**Fluids:** steam and other compatible fluids.

#### GENERAL CHARACTERISTICS

**Range:** from DN15 to DN 400.

- Cast iron body and bonnet (DN15-100) and ductile iron (DN125-400).
- Screen easily removable by loosening the screws on the bonnet.
- Purge plug on the bonnet allowing the evacuation of impurities without disassembly of the strainer.
- Horizontal or vertical descending.
- Direction of installation is indicated by an arrow on the body.
- Epoxy coated body RAL 5019, thickness 80-110 μ.



#### STANDARDS

<b>Face to face</b>	Face to face dimension according to EN 558-1 serie 1 and DIN 3202/1 serie F1.
<b>Connection</b>	Flanges according to EN 1092-2 PN16.
<b>Tests</b>	Hydraulic tests according to EN12266-1, DIN 3230, BS 5154 and ISO 5208. - Body : 24 (bar)

#### PRODUCT APPROVALS



#### Tecofi France

83 rue Marcel Mérieux - 69960 Corbas  
Tél. +33 (0)4 72 79 05 79 - Fax. +33 (0)4 78 90 19 19  
E-mail : sales@tecofi.fr - [www.tecofi.fr](http://www.tecofi.fr)

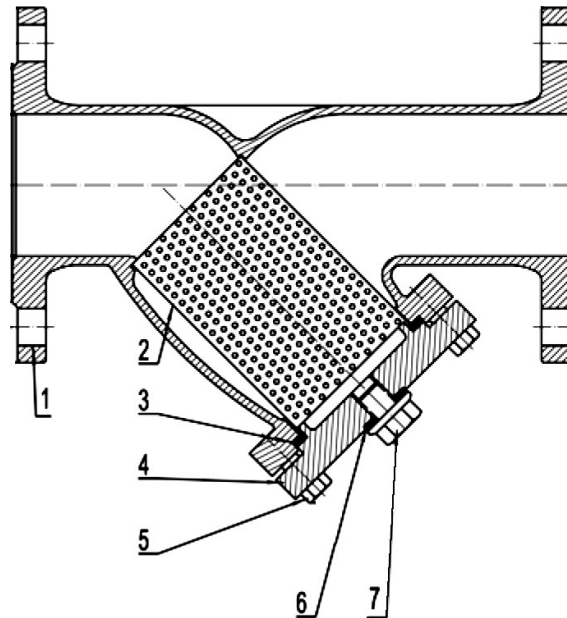


## FLANGED TYPE «Y» STRAINER

### TECHNICAL PASSPORT

F 3240N

#### CONSTRUCTION



Pos.	Q-ty	Description	Material	Equivalences		
				DIN	ASTM	BS
1	1	Body	Cast iron EN-GJL-250	GG25	A48 class 40B	1452 Grade 250
			Ductile iron EN-GJS-400	GGG40	A536 65-45-12	1563 EN-JS1030
2	1	Screen	Stainless steel 304	X5CrNi18 10	A 182 AISI 304	1449-2 304 S15
3	1	Joint	Graphite			
4	1	Bonnet	Cast iron EN-GJL-250	GG25	A48 class 40B	1452 Grade 250
			Ductile iron EN-GJS-400	GGG40	A536 65-45-12	1563 EN-JS1030
5	**	Screw	Steel A 105			
6	1	Joint	Graphite			
7	1	Plug	Steel A 105			

\*\* 4 for DN15-100 and 6 for DN125-400

**Tecofi France**

83 rue Marcel Mérieux - 69960 Corbas  
 Tél. +33 (0)4 72 79 05 79 - Fax. +33 (0)4 78 90 19 19  
 E-mail : sales@tecofi.fr - [www.tecofi.fr](http://www.tecofi.fr)

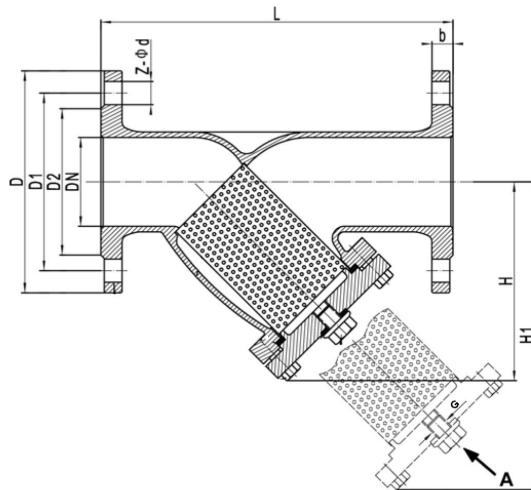


## FLANGED TYPE «Y» STRAINER

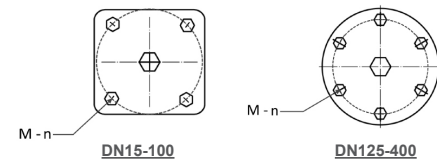
### TECHNICAL PASSPORT

F 3240N

#### DIMENSIONS



VIEW A



DN		L	ØD	ØD1	ØD2	b	M	n	z	G	Ød	H	H1	Mesh (mm)	Weight (kg)
mm	inch														
15	1/2"	130	95	65	45	14	M8-20	4	4	3/8"	14	74	110	1	2.3
20	3/4"	150	105	75	58	16	M8-20	4	4	3/8"	14	90	130	1	2.9
25	1"	160	115	85	68	16	M8-25	4	4	1/2"	14	95	160	1	3.5
32	1 1/4"	180	140	100	78	18	M8-25	4	4	1/2"	18	119	171	1	5.2
40	1 1/2"	200	150	110	88	18	M10-30	4	4	1/2"	18	130	195	1	6
50	2"	230	165	125	102	18	M10-35	4	4	1/2"	18	145	218	1	8.18
65	2 1/2"	290	185	145	122	18	M10-35	4	4	1/2"	18	160	248	1.3	11.88
80	3"	310	200	160	138	22	M12-40	4	8	1/2"	18	185	283	1.3	15.1
100	4"	350	220	180	158	22	M12-45	4	8	1/2"	18	225	351	1.3	19.4
125	5"	400	250	210	188	26	M16-45	6	8	3/4"	18	268	418	1.3	29.1
150	6"	480	285	240	212	26	M16-50	6	8	3/4"	23	295	468	1.3	40.8
200	8"	600	340	295	268	30	M16-50	8	12	3/4"	23	316	529	1.6	70.2
250	10"	730	405	355	320	32	M16-50	8	12	3/4"	23	420	662	1.6	122.14
300	12"	850	460	410	378	32	M16-60	10	12	3/4"	27	455	735	1.6	188.1
350	14"	980	520	470	438	27	M16-60	12	16	3/4"	27	565	915	1.6	250
400	16"	1100	580	525	490	32	M8-20	14	16	3/4"	30	635	1041	1.6	360

The photographs and technical art works are not contractual. The specifications of the presented products are open to modifications without previous advice

**Tecofi France**

83 rue Marcel Mérieux - 69960 Corbas

Tél. +33 (0)4 72 79 05 79 - Fax. +33 (0)4 78 90 19 19

E-mail : sales@tecofi.fr - [www.tecofi.fr](http://www.tecofi.fr)

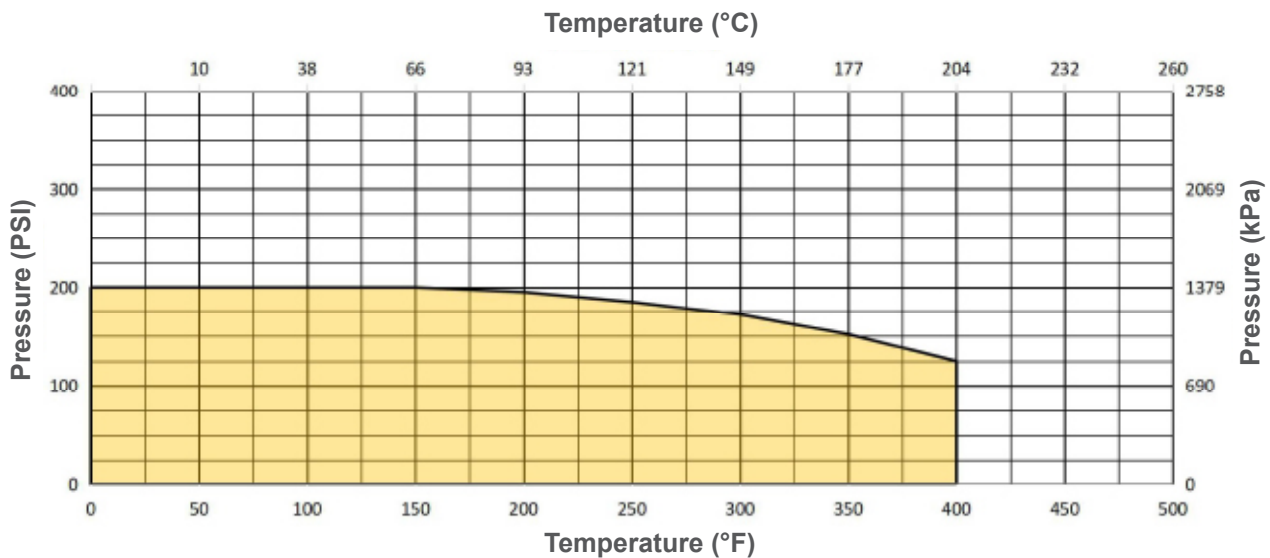


# FLANGED TYPE «Y» STRAINER

## TECHNICAL PASSPORT

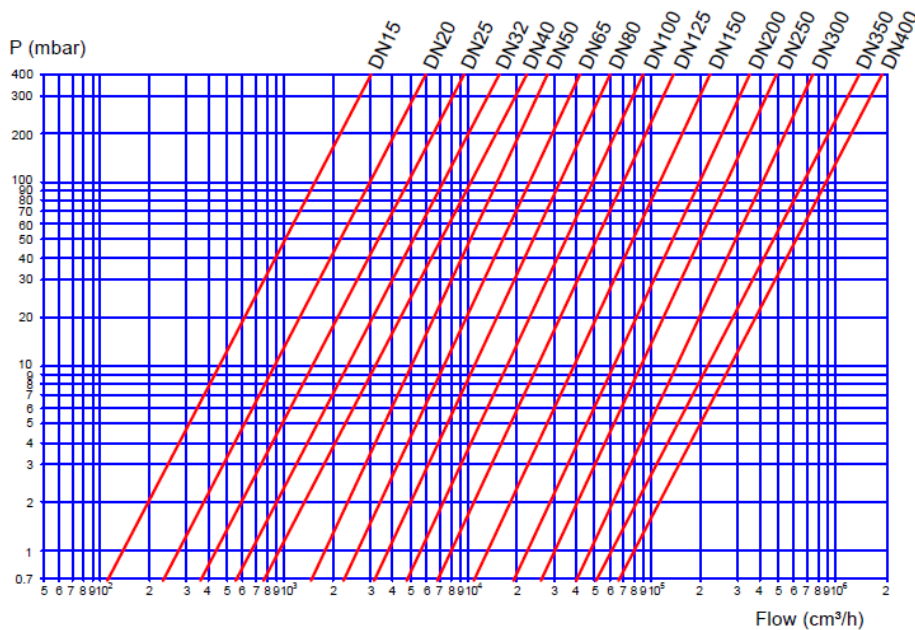
**F 3240N**

### WORKING CONDITIONS



1 bar - 100 kPa

### HEAD LOSS CHART



The photographs and technical art works are not contractual. The specifications of the presented products are open to modifications without previous advice

### Tecofi France

83 rue Marcel Mérieux - 69960 Corbas  
 Tél. +33 (0)4 72 79 05 79 - Fax. +33 (0)4 78 90 19 19  
 E-mail : sales@tecofi.fr - [www.tecofi.fr](http://www.tecofi.fr)



# VALVOLE A CLAPET FILTRI VALVOLE DI FONDO

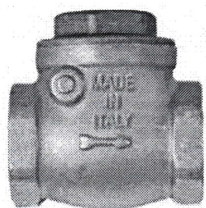


Denominazione	Pz.	Materiale
Corpo	1	UNI EN 12165 CW617N - DW
Tappo	1	UNI EN 12165 CW617N - DW UNI EN 12164 CW617N - DW
Otturatore	1	UNI EN 12165 CW617N - DW UNI EN 12164 CW617N - DW
Filtro a setaccio		Steel Inox
Filtro per valvola di fondo		UNI EN 12165 CW617N - DW UNI EN 12164 CW617N - DW
Tenuta		NBR 70 Sh A (ASTM D 2240)
Filettatura Femmina		UNI EN ISO 228/1 (DIN 259)
Temperatura massima di esercizio		90 °C
Pressione (vedi tabella articolo)		
Fluidi conformi		Aria, Acqua

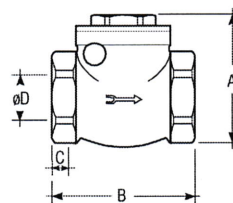
## IT CONDIZIONE DI ESERCIZIO

Le presenti valvole sono adatte per impianti sanitari di distribuzione Acqua calda e fredda (Rif. Direttiva 2014/68/EU Art. 13) per utilizzi particolari (nel rispetto delle pressioni stabilite per questi articoli e la compatibilità dei diversi fluidi con i materiali costituenti l'articolo specifico) vedere tabella compatibilità chimiche negli allegati tecnici.

GP 2056  
VALVOLE CLAPET

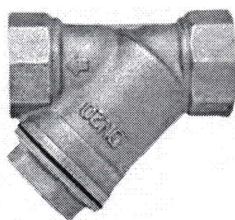


Valvola di ritegno a Clapet, Femmina-Femmina sabbata, con tenuta in gomma.

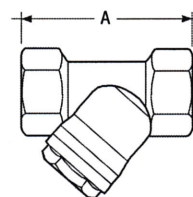


CODICE	Misura	ØA mm	B mm	C mm	ØD mm	gr	PN	Conf. pz/sc	Master pz/sc
08028012	1/2"	46	47	8	15	166	10	60	180
08028034	3/4"	51	53	8	20	230	10	40	120
08028100	1"	61	63	10	25	350	10	20	80
08028114	1"1/4	78	70	10	33	445	10	16	64
08028112	1"1/2	93	88	10	57	730	10	8	32
08028200	2"	102	97	11	47	1045	10	4	16
08028212	2"1/2	110	120	16	55	1460	6	1	20
08028300	3"	128	135	16	70	2375	6	1	10
08028400	4"	180	180	20	90	3915	6	1	4

GP 2042  
FILTRI A SETACCIO

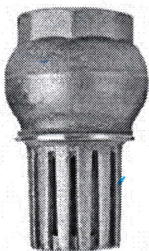


Filtro a setaccio in acciaio inox, Femmina-Femmina, sabbato.

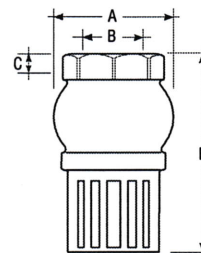


CODICE	Misura	A mm	gr	PN	Conf. pz/sc	Master pz/sc
08029012	1/2"	57	148	20	20	160
08029034	3/4"	66	245	20	20	80
08029100	1"	80	330	20	12	72
08029114	1"1/4	92	610	20	10	40
08029112	1"1/2	101	793	20	5	25
08029200	2"	123	1370	20	2	14

GP 2052  
VALVOLE di FONDO



Valvola di fondo classica Femmina, con filtro in ottone, sabbata



CODICE	Misura	ØA mm	ØB mm	C mm	D mm	gr	PN	Conf. pz/sc	Master pz/sc
08032034	3/4"	45	24	9	72	195	10	30	120
08032100	1"	51	28	11	80	235	10	20	80
08032114	1"1/4	61	35	13	91	385	8	12	48
08032112	1"1/2	68	40	14	108	505	8	12	48
08032200	2"	80	50	16	120	770	8	6	24
08032212	2"1/2	102	62	16	141	1330	6	1	48
08032300	3"	117	73	16	150	1615	6	1	24
08032400	4"	146	110	16	185	3195	6	1	5