

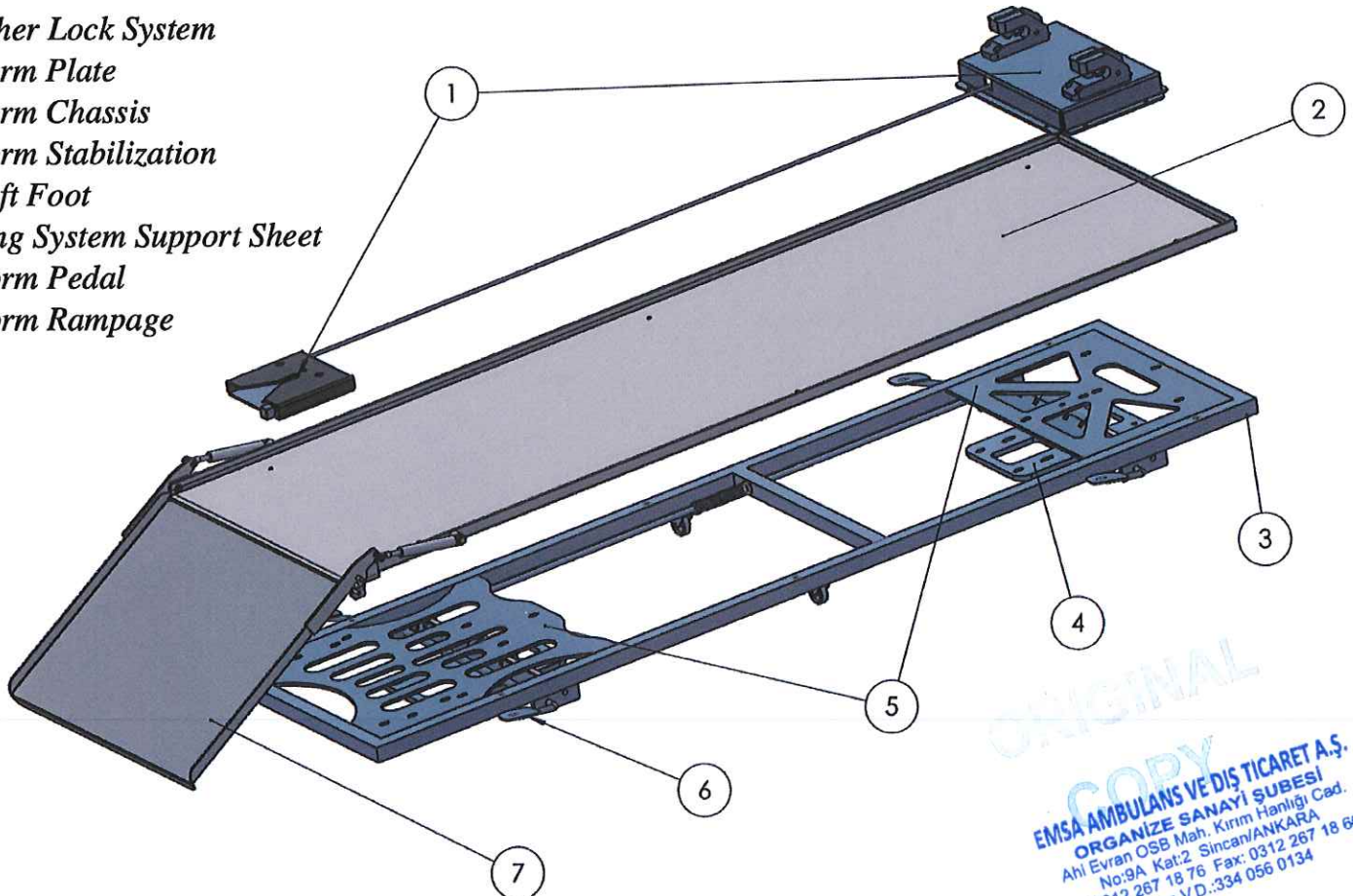
Two Directional Movement Platform EP-SM



- Left and right lateral movements by pedals.
- Upper part produced by rustproof metal sheet.
- Metal parts are painted with electrostatic paint.
- Right - left movement 30 cm.
- There are 6 levels in total. 5 cm between levels.
- 10g Tested.

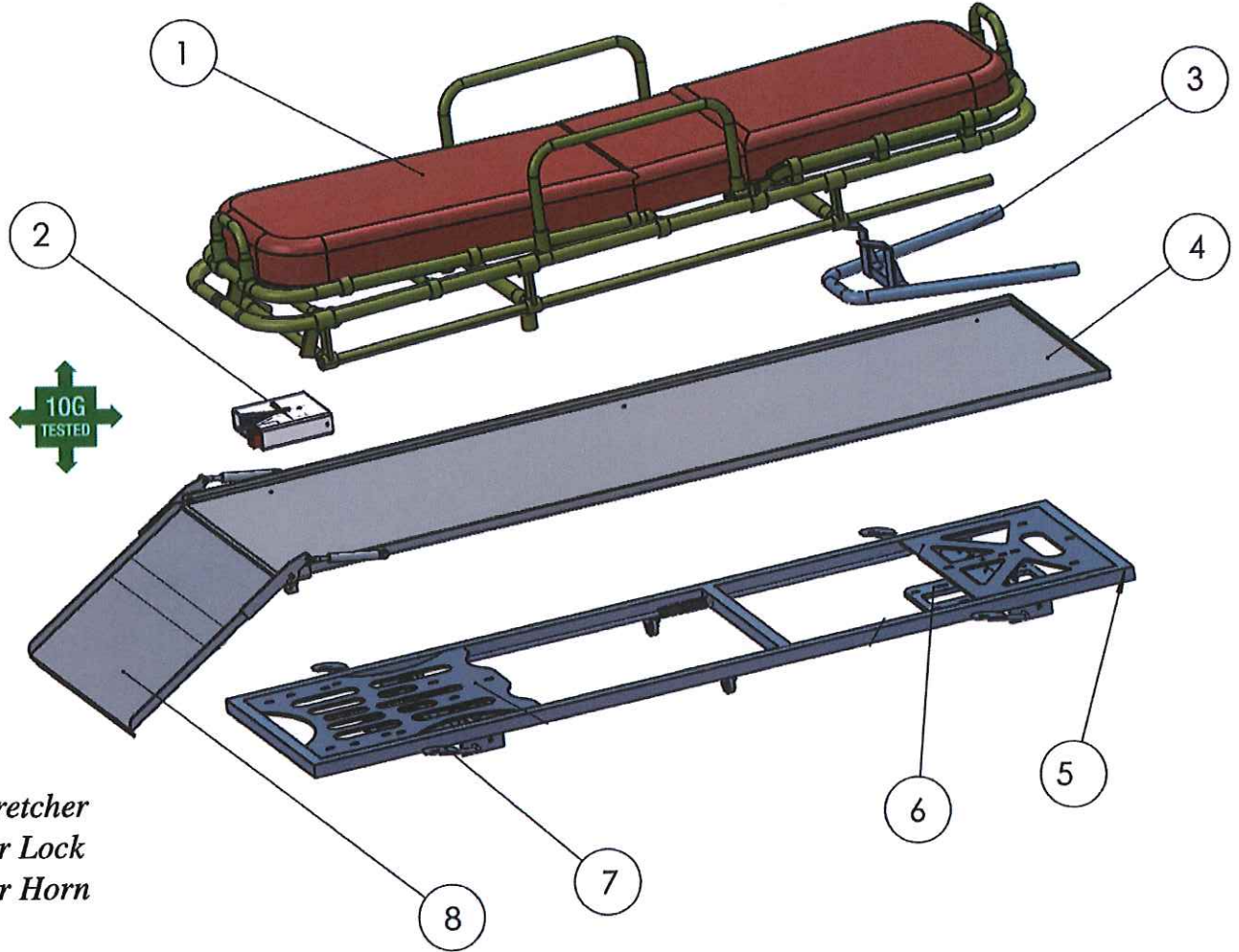
Stretcher Platform is Combination of Following Items ;

- 1- Stretcher Lock System
- 2- Platform Plate
- 3- Platform Chassis
- 4- Platform Stabilization Right-Left Foot
5. Locking System Support Sheet
- 6- Platform Pedal
- 7- Platform Rampage

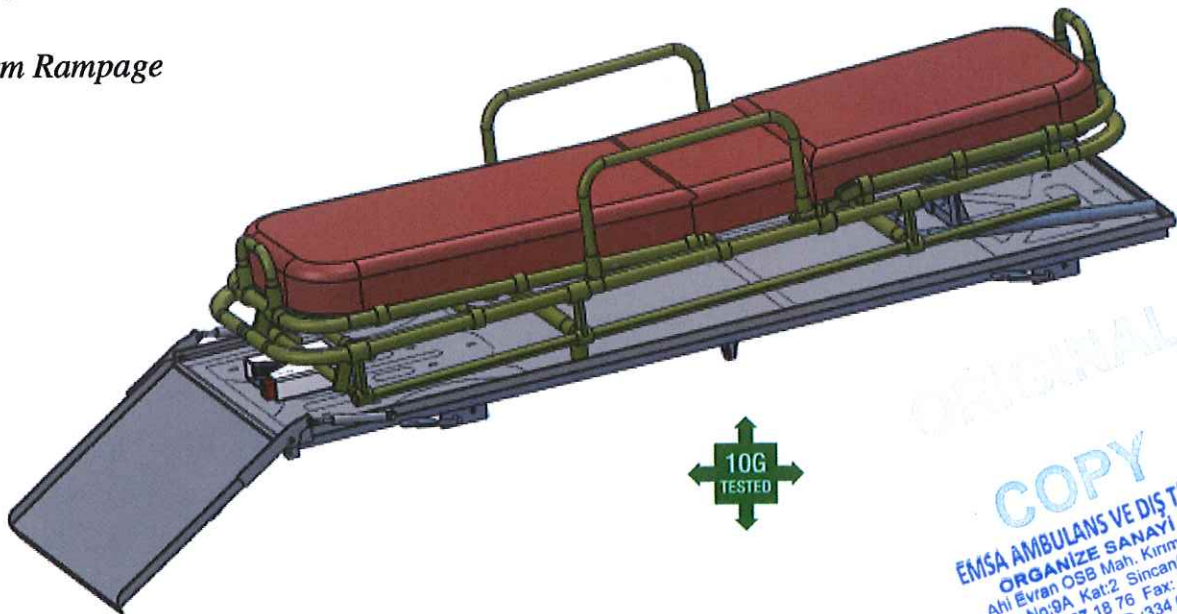


ORIGINAL
COPY
EMSA AMBULANS VE DIŞ TICARET A.Ş.
ORGANIZE SANAYİ SUBESİ
Ahi Evran OSB Mah. Kırım Hanlığı Cad.
No:9A Kat:2 Sincan/ANKARA
Tel:0312 267 18 76 Fax: 0312 267 18 66
Sincan V.D.:334 056 0134

Two Directional Movement Platform EP-SM 011 :



- 1- Main Stretcher
- 2- Stretcher Lock
- 3- Stretcher Horn
- 4- Pan
- 5- Chassis
- 6- Right Left Fixing Foot
- 7- Pedal
- 8- Platform Rampage



ORIGINAL

COPY
EMSA AMBULANS VE DIŞ TICARET A.Ş.
ORGANIZE SANAYİ ŞUBESİ
Ahi Evran OSB Mah. Kırım Hanlığı Cad.
No:9A Kat:2 Sincan/ANKARA
Tel:0312 267 18 76 Fax: 0312 267 18 66
Sincan V.D.:334 056 0134

DECLARATION OF CONFORMITY



EMS MOBİL SİSTEMLER A.Ş.

1. Organize Sanayi Bölgesi Kırm Hanlığı Caddesi No: 9

Sincan-Ankara /TURKEY

Tel : +90 312 267 18 67 - Faks : +90 312 267 18 66

Product : Main Stretcher Platform

Product Code : EPSM 011

Classification : Class I- Rule I

We herewith declare with this document that compliance evaluation was applied upon the above mentioned products as per the Council Directive 93/42/EEC Medical Devices Regulation Annex 7 for Medical Device Directive

General Applicable Directives

Medical Device Directive council directive 93/42/EEC of June 1993 concerning medical devices. (MDD 93/42/EEC) Compliance Declaration evaluation was applied as per Annex 7.

Standarts

TS EN 1789+A2:2014	Medical vehicles and their equipment-Road ambulances
EN 1865-5:2012	Patient handling equipment used in road ambulances. General stretcher systems and patient handling equipment
TS EN 980:2011	Symbols for use in the labeling of medical devices
TS EN 1041+A1:2015	Information supplied by the manufacturer of medical devices
TS EN ISO 14971:2013	Medical devices - Application of risk management to medical devices

Signature

EMS MOBİL SİSTEMLER A.Ş.
1. Organize Sanayi Bölgesi
Kırmhanlığı Caddesi No: 9 Sincan/ANKARA
Tel: 0312 267 18 67 - Fax: 0312 267 18 66
Mersis No: 0475005500500012
Sincan V.B. Dairesi: 475 005 5005

Name : Mevlüt Şahin
Position : General Manager

Date : 15.05.2016