

# EKG Jel

## ECG Gel



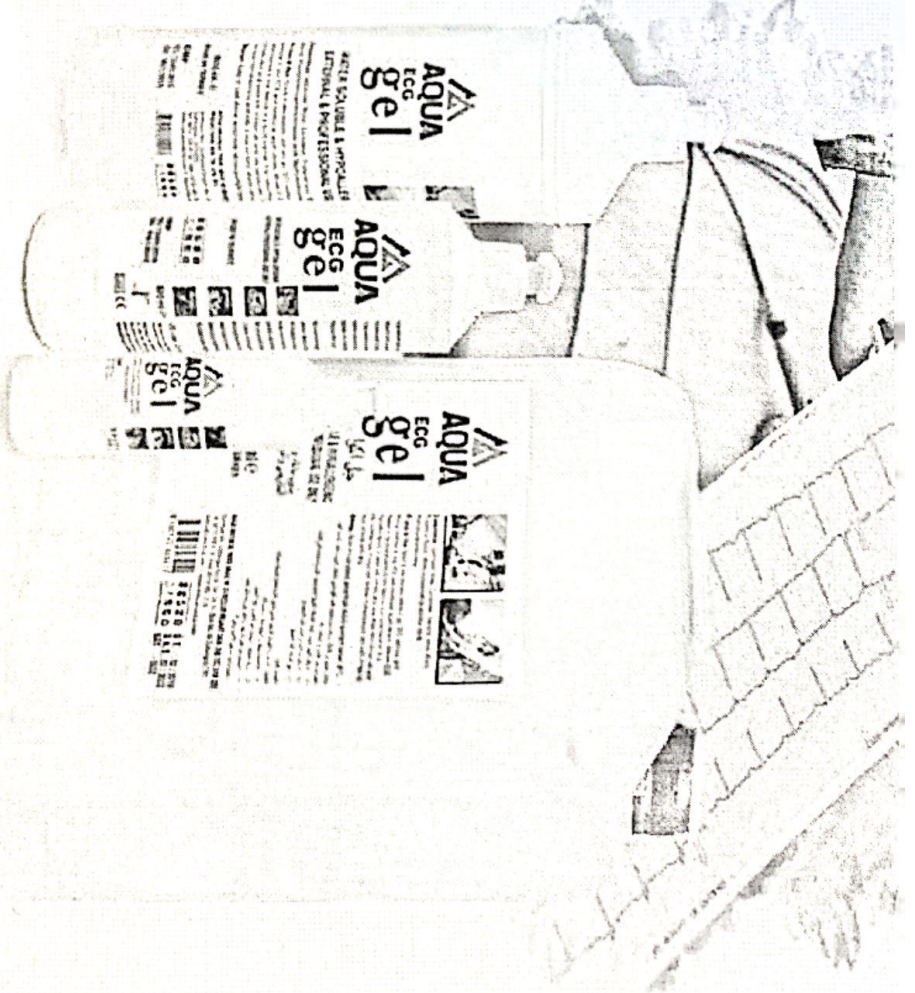
EKG Elektrot

**TR** Önerilen Kullanım Yeri: EKG Jel kullanım alanları oldukça geniştir. Kısaca; Ultrason, EKG, Efor uygulamaları, EKG elektrotları, Epilasyon uygulamaları vb. birçok alanda kullanılmaktadır. İçerdiği aktif maddeler yüksek viskozite ve üretimde kullanılan vakum teknolojisi sayesinde cihazlara zarar vermez. Kullanım esnasında vücuttaki tuzdan etkilenmez. Uygulamada rahatlık sağlar. Hipotalenktik, cildi tahriş etmez. Suda çözünür. Kolay temizlenir; yağ ve yağlı madde içmez. Formaldehit ve tuz içmez. Toksik tesiri yoktur, kokusuzdur, tüm dillere uygundur.

**EN** Recommended place of use: The usage of EKG Gel is quite extensive. Briefly, it is used for several purposes such as ultrasound procedures, ECG procedures, cardiac stress tests, EKG electrodes, epilation procedures etc. Thanks to the high viscosity active ingredients it contains and the vacuum technology used in its production, it does not harm the devices. It is not affected by the salt in the body during use. Provides comfort in application. It is hypoallergenic, does not irritate the skin. It is water soluble. It is easy to clean, does not contain oil and oily substances. It does not contain formaldehyde and salt. It has no toxic effect, odorless, suitable for all skin types

**FR** Lieu d'utilisation conseillée : Il est utilisé dans plusieurs domaines comme l'ultrason, l'ECG, les applications d'épilation, les électrodes d'ECG, les applications d'épilation etc. Nendommage pas les appareil grâce à son contenu élevé en substance active de viscosité et à la technologie de vacuum utilisé lors de la production. N'est pas influencé par le sel présent dans le corps durant l'utilisation. Offre une facilité d'application. Est hypoallergénique, n'irrite pas la peau. Se dissout à l'eau. Se nettoie facilement, ne contient pas d'huile ou de substance contenant de l'huile. Ne contient pas de formaldéhyde et de sel. Ne pas d'influence toxique, d'odeur, convient à toutes les

**AR** الاستخدام الموصى به: يتم استخدامه لعدة اغراض مثل إجراءات الموجات فوق الصوتية و ECG الصورية وإجراءات تخطيط القلب واختبارات الإجهاد القلبي وأقطاب إزالة الشعر وما إلى ذلك. المكونات النشطة لا تلحق الضرر بالأجهزة. بفضل اللزوجة العالية وقيمة التفريغ المستخدمة في الإنتاج. لا يتأثر بالمحلول الموجود في الجسم أثناء الاستخدام. يضمن الراحة عند استخدامه. لا يسبب الحساسية ولا يسبب تهيجاً للجلد. يذوب في الماء. تنظيفه سهل، لا يحتوي لزيت أو مواد لزوجية. لا يحوي الفورمالدهايد والملح. ليس له تأثير سام، عديم الرائحة، مناسب لجميع أنواع الجلد.



QEE No	Amthalaj	Kolli Adasi	Kolli Sathas	Barcode
AO 21	250 ml	48 Adet/Pcs	32x42x20	8 680525 623520
AO 22	500 ml	29 Adet/Pcs	33x35 5x23	8 680525 625913
AQUA15	1000 ml	20 Adet/Pcs	31 5x40x28	8 680525 628280
AO 23	5000 ml	4 Adet/Pcs	28 5x38x25	8 680525 625920

# Ultrason Jel

## Ultrasound gel

**TR** **Önerilen Kullanım Yeri:** Ultrason Jel kullanım alanları oldukça geniştir. Kısaca: Ultrason, EKG, Efor uygulamaları, EKG elektrotları, Epilasyon uygulamaları vb. birçok alanda kullanılmaktadır. İyeliği yüksek viskozite aktif maddeler ve üretimde kullanılan vakum teknolojisi sayesinde cihazlara zarar vermez. Kullanım esnasında vücuttaki tuzdan etkilenmez. Uygulamada rahatsızlık sağlar. Hipotaleniklik, cildi tahriş etmez. Suda çözünür. Kolay temizlenir, yağ ve yağlı madde içermez. Formaldehit ve tuz içermez. Toksik tesiri yoktur, kokusuzdur, tüm ciltlere uygundur.

**EN** **Recommended place of use:** The usage of ultrasonic gel is quite extensive. Briefly, it is used for several purposes such as ultrasound procedures, ECG procedures, cardiac stress tests; ECG electrodes, epilation procedures etc. Thanks to the high viscosity active ingredients it contains and the vacuum technology used in its production, it does not harm the devices. It is not affected by the salt in the body during use. Provides comfort in application. It is hypoallergenic, does not irritate the skin. It is water soluble. It is easy to clean, does not contain oil and oily substances. It does not contain formaldehyde and salt. It has no toxic effect, odorless, suitable for all skin types.

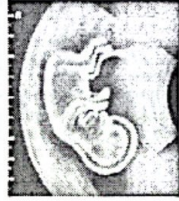
**FR** **Lieu d'utilisation conseillé :** Les domaines d'utilisation du gel à ultrason sont vastes. Brièvement, il est utilisé dans plusieurs domaines comme l'ultrason, l'EKG, les applications d'effort, les électrodes d'EKG, les applications d'épilation etc. N'endommage pas les appareils grâce à son contenu élevé en substance active de viscosité et à la technologie de vacuum utilisée lors de la production. N'est pas influencé par le sel présent dans le corps durant l'utilisation. Offre une facilité d'application. Est hypoallergénique, n'irrite pas la peau. Se dissout à l'eau. Se nettoie facilement, ne contient pas d'huile ou de substance contenant de l'huile. Ne contient pas de formaldéhyde et de sel. N'a pas d'influence toxique, déodoré, convient à toutes les

**FR** **الاستخدام الموصى به:** مجالات استخدام جل الموجات فوق الصوتية واسعة للغاية. باختصار يتم استخدامه لعدة أغراض مثل إجراءات الموجات فوق الصوتية وإجراءات وعمليات إزالة الشعر وما إلى ECG تخطيط القلب واختبارات الأجهزة القلبية وأقطاب ذلك. المكونات النشطة لا تطلق الضرر بالأجهزة بفضل اللزوجة العالية وتقنية التبريد المستخدمة في الإنتاج. لا يتأثر بالملح الموجود في الجسم أثناء استخدامه. ولأنه الراحة عند استخدامه. لا يسبب الحساسية ولا يسبب تهيجاً للجلد. يوفر في الماء، تنظف بسهولة، لا يحوي زيوت أو مواد زرقية. لا يحوي الفورمالدهيد والملح. ليس له تأثير سام، عديم الرائحة، مناسب لجميع أنواع الجلد.

QIS NO	Ambarlı	Koli/Paradeşi	Koli/Boyut	Barcode
AQUA4	250 ml	48 Adet/Pcs	32x42x20	8 680525 621007
AQUA3	500 ml	29 Adet/Pcs	33x25,5x23	8 680525 620031
AQUA2	1000 ml	20 Adet/Pcs	31,5x40x28	8 680525 620017
AQUA1	5000 ml	4 Adet/Pcs	28,5x38x25	8 680525 620024
AQUA1	5000 ml	2 Adet/Pcs	19x38x30,5	8 680525 620024

# AQUA

## ULTRASOUND GEL



# AQUA

### ULTRASOUND GEL:

Usage areas of ultrasound gel are quite wide. Shortly, ultrasound gel is used in many areas such as eeg, exertional practices eeg electrodes, epilation applications, etc.

- It does not damage the devices thanks to its active ingredients, high viscosity and vacuum technology used in its production.

**Technical Information:** Ingredients: Deionized water, Carbomer, Triethanolamine, Monopropylene

- It is hypoallergenic. It does not irritate the skin, it dissolves in water.
  - Easy to clean. Does not contain oil and oily substances.
  - Does not contain formaldehyde and salt. There is no toxic effect. Odorless. The pH level is around 7.
- Suitable for all skin types.
- The active substances are not damaging the device thanks to the vacuum technology used the high viscosity and on the production
  - It does not affect the salt on the body during utilization.
  - It provides comfort on applications.

**WATER SOLUBLE & HYPOALLERGENIC  
EXTERNAL & PROFESSIONAL USE ONLY**

**5000 ml. e**  
**Made in Türkiye**



**GMP**

ISO 13485:2016  
ISO 9001:2015

**REF: AQUA1**

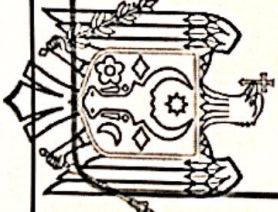


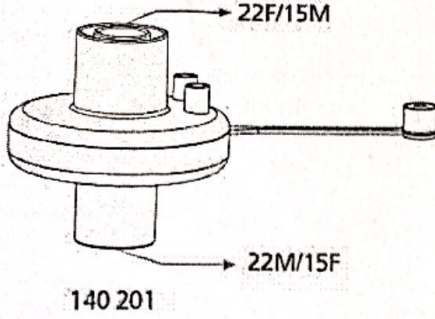
8 680985 20024 0.18 15:35:00 MSK

**Manufacturer: AQUA MEDİKAL TIBBİ ARAÇ  
VE GEREÇLER İNŞAAT SAN. DIŞ. TIC. LTD. ŞTİ.**

**Reason: MottSign Signature**

**Location: Mottova**

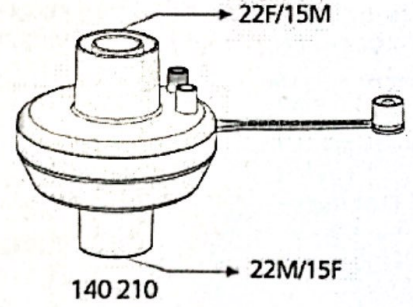




140 201

- BFE (Bakteriyel Filtre Etkinliği) %99.99998
- VFE (Viral Filtre Etkinliği) %99.9998
- Gaz Örnek Alma Portu
- Düşük Ölü Boşluk
- Düşük Akış Direnci
- Steril

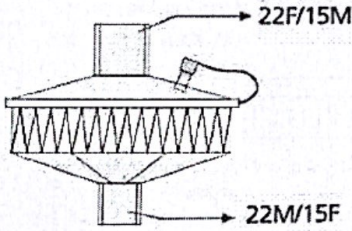
- BFE (Bacterial Filtration Efficiency) %99.99998
- VFE (Viral Filtration Efficiency) %99.9998
- Gas Sampling Port
- Low Dead Space
- Low Flow Resistance
- Sterile



140 210

- BFE (Bakteriyel Filtre Etkinliği) %99.99998
- VFE (Viral Filtre Etkinliği) %99.9998
- 500 ml Tidal Hacim ile Nem Çıkış Değeri 33.2 mg/lt
- Gaz Örnek Alma Portu
- Düşük Ölü Boşluk
- Düşük Akış Direnci
- Steril

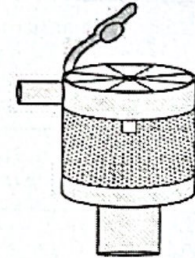
- BFE (Bacterial Filtration Efficiency) %99.99998
- VFE (Viral Filtration Efficiency) %99.9998
- Moisture Output at 500 ml Tidal Volume 33.2 mg/lt
- Gas Sampling Port
- Low Dead Space
- Low Flow Resistance
- Sterile



140 130

- BFE (Bakteriyel Filtre Etkinliği) %99.9999
- VFE (Viral Filtre Etkinliği) %99.9999
- Gaz Örnek Alma Portu
- Düşük Ölü Boşluk
- Düşük Akış Direnci
- Steril

- BFE (Bacterial Filtration Efficiency) %99.9999
- VFE (Viral Filtration Efficiency) %99.9999
- Gas Sampling Port
- Low Dead Space
- Low Flow Resistance
- Sterile



ZF-051

- 500 ml Tidal Hacim ile Nem Çıkış Değeri 24 hr: 28.8 mg/1 lt H<sub>2</sub>O
- Aspirasyon Portu
- Oksijen Portu
- Düşük Ölü Boşluk
- Düşük Akış Direnci
- Steril

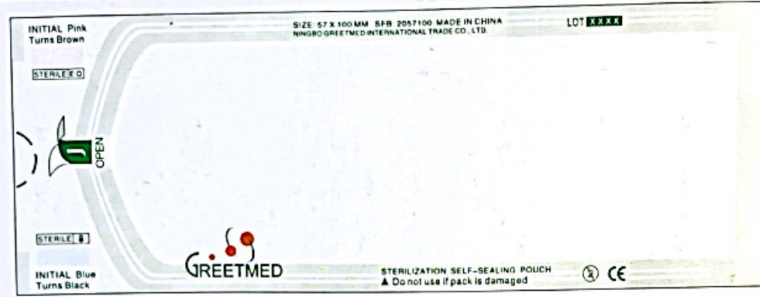
- Moisture Output at 500 ml Tidal Volume 24 hr: 28.8 mg/1 lt H<sub>2</sub>O
- Suction Port
- Oxygen Port
- Low Dead Space
- Low Flow Resistance
- Sterile

KOD / CODE	TİP / TYPE	KOLI / ADED / QUANTITY PER BOX
140 201	BAKTERİ FİLTRESİ BACTERIAL FILTER	100
140 210	HMEF (BAKTERİ VE NEM) FİLTRE HMEF (BACTERIAL AND MOISTURE) FILTER	100
140 130	HEPA FİLTRE HEPA FILTER	100
ZF-051	TRAKEOSTOMİ HME FİLTRE TRACHEOSTOMY HME FILTER	400



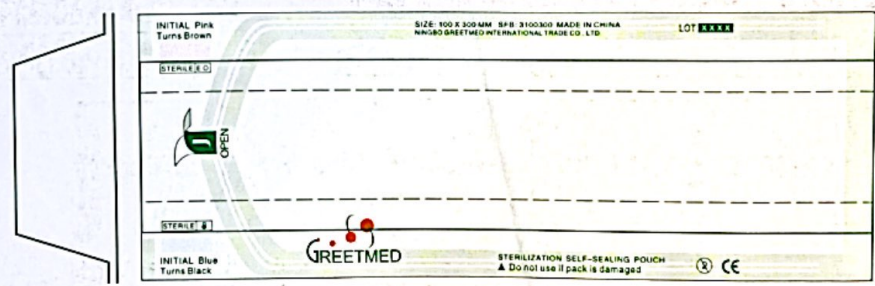
**GT170-100 Self sealing flat pouch**

Size: 57x100mm	200pcs/box	12000pcs/ctn	27.6x37x30cm	13.5/12.5kgs
90x230mm	200pcs/box	4000pcs/ctn	27.3x38.2x30cm	14.2/13.2kgs
135x255mm	200pcs/box	3000pcs/ctn	29.8x40.4x30cm	17/16kgs
190x330mm	200pcs/box	2000pcs/ctn	37.3x39.6x30cm	19.7/18.7kgs
250x370mm	200pcs/box	1000pcs/ctn	26.3x41.3x30cm	15/14kgs



**GT170-101 Heat-sealing flat pouch**

Size: 57x130mm	200pcs/box	14400pcs/ctn	27.6x37x30cm	15.8/14.8kgs
90x230mm	200pcs/box	4800pcs/ctn	38.2x23.x30cm	16/15kgs
135x255mm	200pcs/box	3600pcs/ctn	26.8x42.4x30cm	18.1/17.1kgs
190x330mm	200pcs/box	2400pcs/ctn	34.3x29.6x30cm	21.5/20.5kgs
250x370mm	200pcs/box	1200pcs/ctn	38.3x26.3x30cm	16.4/15.4kgs



**GT170-102 Heat-sealing gusseted pouch**

Size: (75+25)x300mm	100pcs/box,	3000pcs/ctn,	31.3x40x30cm	12.12/11.12kgs
(100+50)x300mm	100pcs/box,	2400pcs/ctn,	31.3x42.2x30cm	12.8/11.8kgs
(150+50)x400mm	100pcs/box,	1200pcs/ctn,	41.3x31.6x30cm	12.8/11.8kgs
(200+55)x400mm	100pcs/box,	600pcs/ctn,	21.3x41.3x30cm	9.25/8.25kgs
(250+60)x450mm	100pcs/box,	600pcs/ctn,	26.3x46.3x30cm	12.15/11.15kgs



**GT170-103 Heat-sealing flat reel**

Size: 55mmx200m	1roll/box	6rolls/ctn	22.5x42x23cm	10.58/9.58kgs
75mmx200m	1roll/box	5rolls/ctn	22.5x46x23cm	11.75/10.75kgs
100mmx200m	1roll/box	4rolls/ctn	22.5x47x23cm	10/9kgs
150mmx200m	1roll/box	2rolls/ctn	22.5x34x23cm	9.8/8.8kgs
400mmx200m	non-box	1roll/ctn	22x41.5x22cm	12.4/11.4kgs

# COVERS



ISO 13485  
EN 13795



MEDİKAL



MICROSCOPY COVER

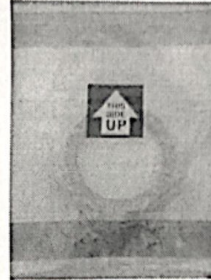
"ZEISS"

221.10.000.01

Material: PE



PE



MICROSCOPY COVER

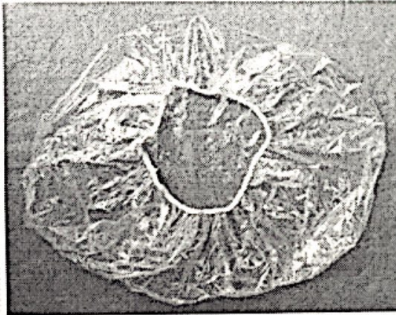
"LECIA"

222.10.000.02

Material: PE



PE



SCOPY COVER  
219.10.000.00

Material: PE



PE

SIZE/CM:  
60\*60cm  
80\*80cm  
50\*90cm  
130\*130cm  
100\*100cm  
120\*120cm  
80\*120cm



ULTRASOUND  
PROPE COVER  
219.10.010.01

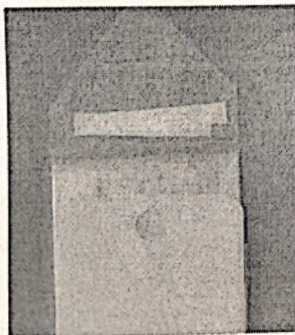
Material: PE



PE

SIZE/CM:  
15\*100  
15\*150  
10\*61

ALL SIZES ARE PRODUCED & CUSTOMISATION



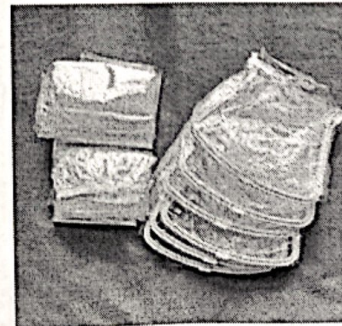
CAMERA COVER  
211.10.000.01

Material: PE



PE

SIZE/CM:  
250\*14cm



C-ARM SCOPY  
COVER  
219.10.006.01

Material: PE



PE

SIZE/CM:  
40\*120cm