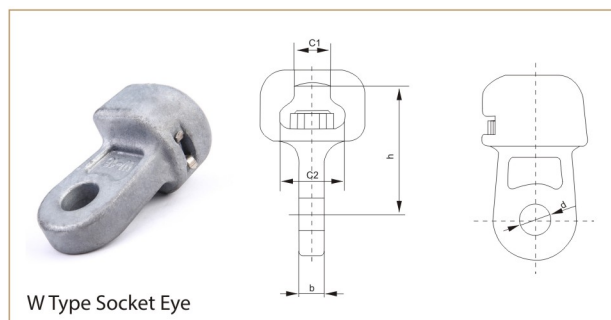


## W Type Socket Eye

W type socket eye is used for connecting insulator string of transformer substation to overhead transmission line or fixing stranded wire to pole.

- It is made of malleable iron or casting steel and hot dip galvanized.
- Cotter pins are stainless steel.
- The other parts are hot dip galvanized steel.



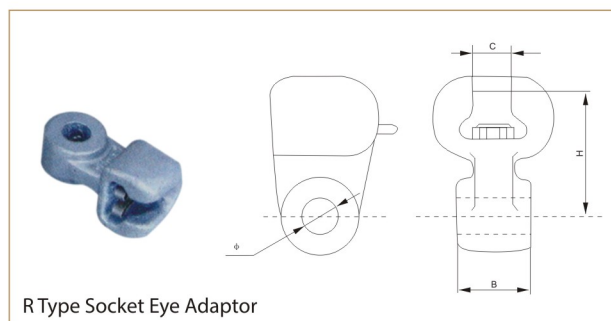
W Type Socket Eye

Item No.	Suitable Insulator	Dimension					Rated Failure load(KN)	Weight(kg)
		C1	C2	h	d	b		
W-7A	XP-7 XP-4.5	19.2	34.5	70	20	16	70	0.8
W-7B	XP-7 X-4.5	19.2	34.5	115	20	16	70	0.9
W1-10	XP-10	19.2	34.5	85	20	18	100	1
W1-12	XP-12	19.2	34.5	85	22	20	120	1.2

## R Type Socket Eye Adaptor

R type socket eye adaptor is used to attach ball and socket insulators to other associated hardware.

- It is made of malleable iron or casting steel and hot dip galvanized.
- Security clips is bronze or stainless steel.



R Type Socket Eye Adaptor

Item No.	Dimension(mm)				Socket IEC Code	Rated Failure Load (kN)	Weight (kg)
	B	C	H	φ			
W-0720	20	19.2	70	20	16mmB	70	1
W-0724	24	19.2	70	20	16mmB	70	1.1
W-0728	28	19.2	70	20	16mmB	70	1.2
W-0732	32	19.2	70	20	16mmA	70	1.3
W-1032	32	19.2	70	20	16mmA	100	1.4
W-1045	45	19.2	70	20	16mmA	100	1.5
W-12	32	19.2	85	24	16mm	120	1.6