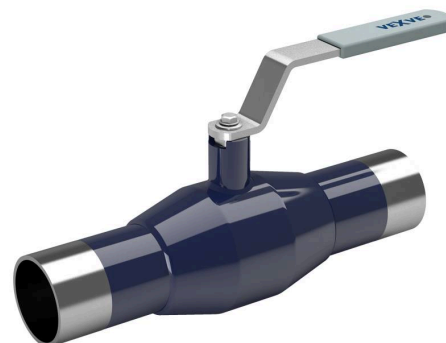


Steel ball valves, reduced bore

100 series, welding / welding, EN (DIN), DN 65-250, reduced bore

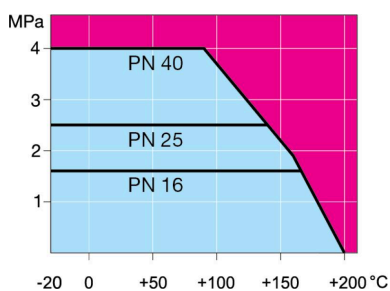
| | |
|-----------|---|
| Body | DN 65-250 Steel, P235GH (1.0345) |
| Ball | DN 65-250 Stainless steel, X5CrNi18-10 (1.4301) |
| Ball seal | DN 65-250 PTFE+C |
| Stem | DN 65-250 Stainless steel, X8CrNiS18-9 (1.4305) |
| Stem seal | DN 65-250 FPM |
| Operation | DN 65-250 With zinc-plated steel handle |



Operation conditions

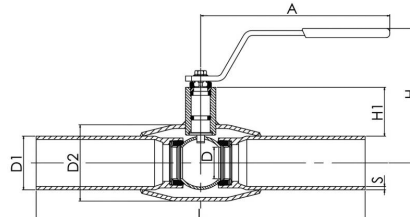
-20 °C – +200 °C
Below -20 °C contact manufacturer
Lowest allowed ambient temperature -40 °C

Leakage rate A (EN 12266-1)

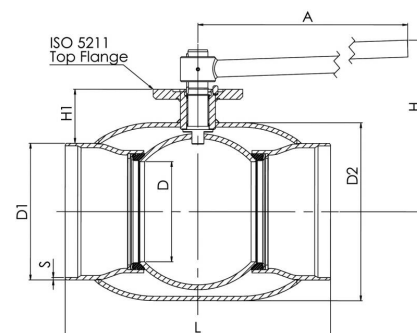


Not for steam

DN 65-150



DN 200-250



| DN | PN | Product no. | A | D | D1 | D2 | H | H1 | L | S | kg |
|-----|----|-------------|-------|-----|-------|-------|-----|-----|-----|-----|------|
| 65 | 25 | 100065 | 277,5 | 50 | 76.1 | 101.6 | 159 | 62 | 300 | 2,9 | 4.0 |
| 80 | 25 | 100080 | 277,5 | 65 | 88.9 | 121.0 | 171 | 68 | 300 | 3,2 | 5.4 |
| 100 | 25 | 100100 | 278,5 | 80 | 114.3 | 139.7 | 218 | 101 | 325 | 3,6 | 8.4 |
| 125 | 25 | 100125 | 400 | 100 | 139.7 | 177.8 | 252 | 101 | 325 | 4 | 13.0 |
| 150 | 25 | 100150 | 600 | 125 | 168.3 | 219.1 | 272 | 107 | 350 | 4,5 | 18.0 |
| 200 | 25 | 100200 | 870 | 150 | 219.1 | 273.0 | 280 | 92 | 400 | 4.5 | 38.0 |
| 250 | 25 | 100250 | 1200 | 200 | 273.0 | 355.6 | 350 | 108 | 530 | 5 | 74.0 |

Steel ball valves, reduced bore

100 series, welding / welding, EN (DIN), DN 300-500, reduced bore

| | |
|-----------|--|
| Body | DN 300-500 Steel, P235GH (1.0345) |
| Ball | DN 300-500 Stainless steel, X5CrNi18-10 (1.4301) |
| Ball seal | DN 300-500 PTFE+C |
| Stem | DN 300-500 Stainless steel, X8CrNiS18-9 (1.4305) |
| Stem seal | DN 300-500 FPM |
| Operation | DN 300-500 Valves are available with manual gear or with an electric or hydraulic actuator |



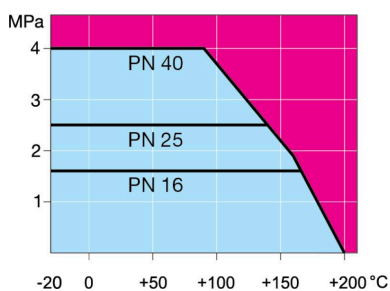
Operation conditions

-20 °C – +200 °C

Below -20 °C contact manufacturer

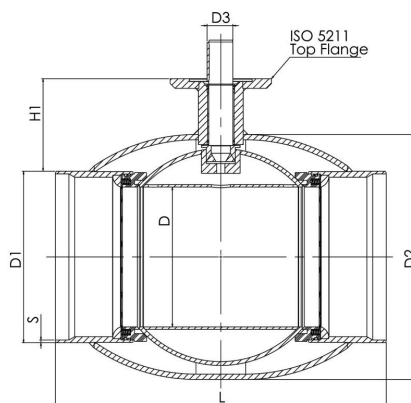
Lowest allowed ambient temperature -40 °C

Leakage rate A (EN 12266-1)



Not for steam

DN 300-500



| DN | PN | Product no. | D | D1 | D2 | D3 | H1 | L | S | kg |
|-----|----|-------------|-----|-------|-------|------|-----|-----|-----|-------|
| 300 | 25 | 100300 | 250 | 323.9 | 457.0 | 50.0 | 133 | 550 | 5.6 | 110.0 |
| 350 | 25 | 100350 | 290 | 355.6 | 508.0 | 50.0 | 192 | 686 | 6,3 | 170.0 |
| 400 | 25 | 100400 | 340 | 406.4 | 610.0 | 70.0 | 242 | 762 | 7,0 | 250.0 |
| 500 | 25 | 100500 | 390 | 508.0 | 660.0 | 90.0 | 259 | 914 | 7,0 | 400.0 |